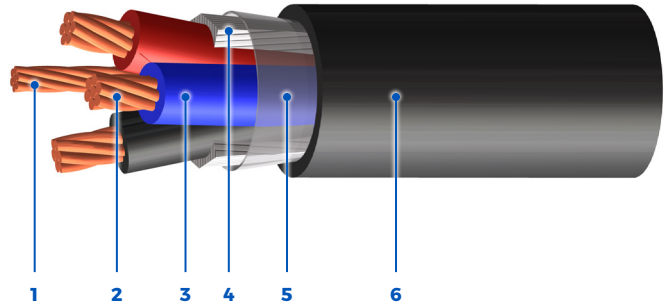


CSA Type CIC RW90 TC Tray Power, Multi-Conductor, 1000 V

Tray Power cables are suitable for use in ventilated, non-ventilated and ladder type cable trays, direct burial, raceways and for concealed wiring in wet, damp or dry locations in -40°C (-40°F) environments. Applicable for use in Utilities, Industrial and Commercial applications.

Standards:



- 1 - Bonding Conductor
- 2 - Stranded Bare Copper Conductors (Tin-coated Available)
- 3 - XLPE (RW90 Rated) Insulated Conductors
- 4 - Polypropylene Fillers
- 5 - Polyester Separator Tape
- 6 - FR PVC Outer Protective Jacket

Product Construction

Insulation:

- XLPE (RW90 rated) rated: 90°C wet/105°C dry

Shielding (optional):

- Aluminum/mylar film
- Copper tape, helical or corrugated
- Tin-coated copper braid

Jacket:

- FR PVC outer black jacket rated: 90°C to -40°C

Available in:

- Custom insulation/jacket colours
- Composite constructions
- Aluminum conductors

Certification/Compliances

- CSA C22.2 No. 230, Tray cables
- CSA C22.2 No. 239, Control and instrumentation cables
- CSA C22.2 No. 38, Thermoset-insulated wires and cables
- CSA C22.2 No. 2556/UL 2556 FT4, Vertical Tray Flame Test rated
- IEEE 383/1202 (70,000 BTU/hr), Vertical Flame Test rated
- XLPE (RW90 rated), 90°C wet/105°C dry
- UV sunlight resistant "SUN RES" (all colours)
- Direct burial rated

- -40°C cold bend/impact rated
- Rated for use in hazardous locations:
 - Zone 0 (Class 1, Division 1) (Intrinsically Safe circuits only)
 - Zone 2 (Class I, Division 2)
 - Zone 22 (Class II & III, Division 2)

Colour Coding

- 2C - Black & white
- 3C - Black, red & blue
- 4C - Black, red, blue & white
- 5C or greater - Black, number-coded with white ink

1000 V

Voltage (Optional: 600, 2000 V)

CSA Type CIC RW90 TC

Power

Note:

- Type CIC and 105°C insulation temperature dry rating applicable to 20 - 4/0 AWG copper conductor sizes, in 300, 600, and 1000 V. In all other constructions, the insulation temperature dry rating is 90°C.
- Type RW90 applicable to 14 AWG - 2000 kcmil copper conductor sizes, in 600, 1000, and 2000 V.

CSA Type CIC RW90 TC Tray Power, Multi-Conductor, 1000 V

PART NUMBER	NUMBER OF CONDUCTORS	CONDUCTOR SIZE	BONDING CONDUCTOR SIZE	NOMINAL DIAMETER OVERALL CABLE	CABLE WEIGHT	AMPACITY*	MAX PULLING TENSION (PULLING EYE)	MIN BEND RADIUS (PULL)
		AWG or kcmil	AWG	in. mm	lb/1000ft kg/km	30°C ambient	lb kg	in. mm
4D010M140200000	2	14	14	0.432 11.0	97 144	25	66 30	3.9 99
4S010M120200000	2	12	14	0.468 11.9	120 179	30	104 47	4.2 107
4S010M100200000	2	10	12	0.518 13.2	162 241	40	166 75	4.7 118
4D010M080200000	2	8	10	0.606 15.4	245 364	55	265 120	5.5 139
4D010M060200000	2	6	8	0.744 18.9	371 552	75	419 190	6.7 170
4D010M040200000	2	4	8	0.838 21.3	502 747	95	668 303	7.5 192
4D010M030200000	2	3	6	0.932 23.7	654 973	115	842 382	8.4 213
4D010M020200000	2	2	6	0.994 25.3	763 1135	130	1062 482	8.9 227
4D010M010240000	2	1	6	1.152 29.3	959 1427	145	1339 607	10.4 263
4D010M1/0240000	2	1/0	6	1.232 31.3	1120 1667	170	1690 766	11.1 282
4D010M2/0240000	2	2/0	6	1.318 33.5	1338 1992	195	2130 966	11.9 301
4D010M3/0240000	2	3/0	4	1.420 36.1	1648 2452	225	2671 1212	12.8 325
4D010M4/0240000	2	4/0	4	1.532 38.9	1987 2957	260	3386 1536	13.8 350
4D010M250260000	2	250	4	1.664 42.3	2290 3408	290	4000 1814	15.0 380
4D010M300260000	2	300	4	1.830 46.5	2762 4110	320	4800 2177	16.5 418
4D010M350260000	2	350	3	1.930 49.0	3175 4725	350	5600 2540	17.4 441
4D010M500260000	2	500	3	2.186 55.5	4284 6375	430	8000 3629	19.7 500
4D010M750260000	2	750	2	2.544 64.6	6150 9152	535	12000 5443	22.9 582
4D010M140300000	3	14	14	0.470 11.9	119 177	25	99 45	4.2 107
4S010M120300000	3	12	14	0.510 13.0	152 226	30	157 71	4.6 117
4S010M100300000	3	10	12	0.595 15.1	223 332	40	249 113	5.4 136
4D010M080300000	3	8	10	0.660 16.8	313 466	55	397 180	5.9 151
4D010M060300000	3	6	8	0.813 20.7	481 716	75	629 285	7.3 186
4D010M040300000	3	4	8	0.930 23.6	693 1032	95	1002 454	8.4 213
4D010M030300000	3	3	6	0.988 25.1	845 1258	115	1263 573	8.9 226
4D010M020300000	3	2	6	1.055 26.8	1005 1496	130	1593 723	9.5 241
4D010M010340000	3	1	6	1.225 31.1	1264 1882	145	2009 911	11.0 280
4D010M1/0340000	3	1/0	6	1.311 33.3	1498 2230	170	2534 1150	11.8 300
4D010M2/0340000	3	2/0	6	1.403 35.7	1802 2681	195	3194 1449	12.6 321
4D010M3/0340000	3	3/0	4	1.513 38.4	2239 3333	225	4007 1818	13.6 346
4D010M4/0340000	3	4/0	4	1.633 41.5	2727 4058	260	5078 2304	14.7 373

*Ampacity value based on Canadian Electrical Code, Part 1 (2021 25th Edition), Table 2. Values are corrected for number of insulated conductors as applicable according to Table 5C.

CSA Type CIC RW90 TC Tray Power, Multi-Conductor, 1000 V

PART NUMBER	NUMBER OF CONDUCTORS	CONDUCTOR SIZE	BONDING CONDUCTOR SIZE	NOMINAL DIAMETER OVERALL CABLE	CABLE WEIGHT	AMPACITY*	MAX PULLING TENSION (PULLING EYE)	MIN BEND RADIUS (PULL)
		AWG or kcmil	AWG	in. mm	lb/1000ft kg/km	30°C ambient	lb kg	in. mm
4D010M250360000	3	250	4	1.835 46.6	3238 4818	290	6000 2722	16.5 420
4D010M300360000	3	300	4	1.949 49.5	3775 5618	320	7200 3266	17.5 446
4D010M350360000	3	350	3	2.057 52.2	4355 6481	350	8400 3810	18.5 470
4D010M500360000	3	500	3	2.332 59.2	5940 8839	430	12000 5443	21 533
4D010M750360000	3	750	3	2.717 69.0	8586 12778	535	18000 8165	24.5 621
4D010M140400000	4	14	14	0.510 13.0	143 213	20	132 60	4.6 117
4S010M120400000	4	12	14	0.585 14.9	202 301	24	209 95	5.3 134
4S010M100400000	4	10	12	0.647 16.4	274 407	32	332 151	5.8 148
4D010M080400000	4	8	10	0.719 18.3	386 574	44	529 240	6.5 164
4D010M060400000	4	6	8	0.929 23.6	631 939	60	839 380	8.4 212
4D010M040400000	4	4	8	1.045 26.6	872 1298	76	1336 606	9.4 239
4D010M030400000	4	3	6	1.112 28.3	1069 1590	92	1684 764	10.0 254
4D010M020400000	4	2	6	1.189 30.2	1280 1904	104	2124 964	10.7 272
4D010M010440000	4	1	6	1.351 34.3	1614 2402	116	2678 1215	12.2 309
4D010M1/0440000	4	1/0	6	1.448 36.8	1911 2844	136	3379 1533	13.0 331
4D010M2/0440000	4	2/0	6	1.551 39.4	2339 3481	156	4259 1932	14.0 355
4D010M3/0440000	4	3/0	4	1.674 42.5	2877 4282	180	5343 2423	15.1 383
4D010M4/0440000	4	4/0	4	1.869 47.5	3632 5405	208	6771 3071	16.8 427
4D010M250460000	4	250	4	2.028 51.5	4174 6212	232	8000 3629	18.3 464
4D010M300460000	4	300	4	2.156 54.8	4899 7290	256	9600 4355	19.4 493
4D010M350460000	4	350	3	2.276 57.8	5627 8374	280	11200 5080	20.5 520
4D010M500460000	4	500	3	2.585 65.7	7737 11514	344	16000 7258	23.3 591
4D010M750460000	4	750	2	3.076 78.1	11373 16925	428	24000 10886	27.7 703

*Ampacity value based on Canadian Electrical Code, Part 1 (2021 25th Edition), Table 2. Values are corrected for number of insulated conductors as applicable according to Table 5C.