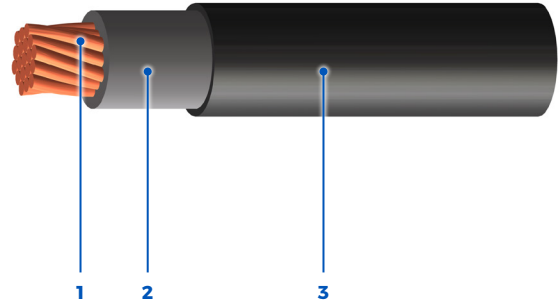


CSA Type RW90 TC Tray Power, Single Conductor, 1000 V

Tray Power cables are suitable for use in ventilated, non-ventilated and ladder type cable trays, direct burial, raceways and for exposed or concealed wiring in wet, damp or dry locations in -40°C (-40°F) environments. Applicable for use in Utilities, Industrial and Commercial applications.

Standards:



1 - Stranded Bare Copper Conductors (Tin-coated Available)

2 - XLPE (RW90 Rated) Insulated Conductor

3 - FR PVC Outer Protective Jacket

Product Construction

Insulation:

- XLPE (RW90 rated) rated: 90°C wet/dry

Jacket:

- FR PVC outer black jacket rated: 90°C to -40°C

Available in:

- Custom insulation/jacket colours
- Aluminum conductors

Certification/Compliances

- CSA C22.2 No. 230, Tray cables
- CSA C22.2 No. 38, Thermoset-insulated wires and cables
- CSA C22.2 No. 2556/UL 2556 FT4, Vertical Tray Flame Test rated
- IEEE 383/1202 (70,000 BTU/hr), Vertical Flame Test rated
- XLPE (RW90 rated), 90°C wet/dry
- UV sunlight resistant "SUN RES" (all colours)
- Oil resistant "PR I" and "OIL RES"
- Direct burial rated
- -40°C cold bend/impact rated
- Rated for use in hazardous locations:
 - Zone 0 (Class 1, Division 1) (Intrinsically Safe circuits only)
 - Zone 2 (Class I, Division 2)
 - Zone 22 (Class II & III, Division 2)

1000 V

Voltage

Optional:
600, 2000 V

CSA Type RW90 TC

Power

Colour Coding

- Black conductor (standard)

CSA Type RW90 TC Tray Power, Single Conductor, 1000 V

PART NUMBER	NUMBER OF CONDUCTORS	CONDUCTOR SIZE	NOMINAL DIAMETER OVERALL CABLE	CABLE WEIGHT	AMPACITY*	MAX. PULLING TENSION (PULLING EYE)	MIN. BEND RADIUS (PULL)
		<i>AWG or kcmil</i>	<i>in. mm</i>	<i>lb 1000ft kg km</i>	<i>30°C ambient</i>	<i>lb kg</i>	<i>in. mm</i>
4D010M1/0140000	1	1/0	0.628 16.0	443 659	260	845 383	5.7 144
4D010M2/0140000	1	2/0	0.671 17.0	539 803	300	1065 483	6.0 153
4D010M3/0140000	1	3/0	0.722 18.3	661 984	350	1336 606	6.5 165
4D010M4/0140000	1	4/0	0.778 19.8	812 1209	405	1693 768	7.0 178
4D010M250160000	1	250	0.884 22.5	975 1450	455	2000 907	8.0 202
4D010M300160000	1	300	0.937 23.8	1145 1704	500	2400 1089	8.4 214
4D010M350160000	1	350	0.987 25.1	1316 1958	570	2800 1270	8.9 226
4D010M500160000	1	500	1.115 28.3	1819 2707	700	4000 1814	10.0 255
4D010M750160000	1	750	1.294 32.9	2650 3944	885	6000 2722	11.6 296
4D010MA00160000	1	1000	1.443 36.7	3459 5147	1055	8000 3629	13.0 330

*Ampacity value based on Canadian Electrical Code, Part 1 (2024 26th Edition), Table 1.