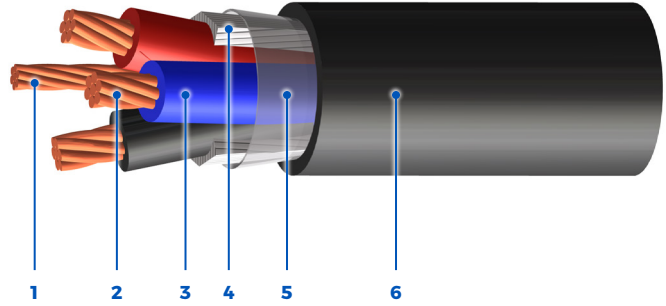


# CSA Type CIC RW90 TC Tray Power, Multi-Conductor, 1000 V

Tray Power cables are suitable for use in ventilated, non-ventilated and ladder type cable trays, direct burial, raceways and for exposed or concealed wiring in wet, damp or dry locations in -40°C (-40°F) environments. Applicable for use in Utilities, Industrial and Commercial applications.

## Standards:



- 1 - Bonding Conductor
- 2 - Stranded Bare Copper Conductors (Tin-coated Available)
- 3 - XLPE (RW90 Rated) Insulated Conductors
- 4 - Polypropylene Fillers
- 5 - Polyester Separator Tape
- 6 - FR PVC Outer Protective Jacket

## Product Construction

### Insulation:

- XLPE (RW90 rated) rated: 90°C wet/105°C dry

### Shielding (optional):

- Aluminum/mylar film
- Copper tape, helical or corrugated
- Tin-coated copper braid

### Jacket:

- FR PVC outer black jacket rated: 90°C to -40°C

### Available in:

- Custom insulation/jacket colours
- Composite constructions
- Aluminum conductors

## Certification/Compliances

- CSA C22.2 No. 230, Tray cables
- CSA C22.2 No. 239, Control and instrumentation cables
- CSA C22.2 No. 38, Thermoset-insulated wires and cables
- CSA C22.2 No. 2556/UL 2556 FT4, Vertical Tray Flame Test rated
- IEEE 383/1202 (70,000 BTU/hr), Vertical Flame Test rated
- XLPE (RW90 rated), 90°C wet/105°C dry
- UV sunlight resistant "SUN RES" (all colours)
- Direct burial rated

- -40°C cold bend/impact rated
- Rated for use in hazardous locations:
  - Zone 0 (Class 1, Division 1) (Intrinsically Safe circuits only)
  - Zone 2 (Class I, Division 2)
  - Zone 22 (Class II & III, Division 2)

## Colour Coding

- 2C - Black & white
- 3C - Black, red & blue
- 4C - Black, red, blue & white
- 5C or greater - Black, number-coded with white ink

# 1000 V

Voltage (Optional: 600, 2000 V)

# CSA Type CIC RW90 TC

Power

### Note:

- Type CIC and 105°C insulation temperature dry rating applicable to 20 - 4/0 AWG copper conductor sizes, in 300, 600, and 1000 V. In all other constructions, the insulation temperature dry rating is 90°C.
- Type RW90 applicable to 14 AWG - 2000 kcmil copper conductor sizes, in 600, 1000, and 2000 V.

# CSA Type CIC RW90 TC Tray Power, Multi-Conductor, 1000 V

PART NUMBER	NUMBER OF CONDUCTORS	CONDUCTOR SIZE	BONDING CONDUCTOR SIZE	NOMINAL DIAMETER OVERALL CABLE	CABLE WEIGHT	AMPACITY*	MAX PULLING TENSION (PULLING EYE)	MIN BEND RADIUS (PULL)
		AWG or kcmil	AWG	in.   mm	lb/1000ft   kg/km	30°C ambient	lb   kg	in.   mm
4D010M140200000	2	14	14	0.432   11.0	97   144	25	66   30	3.9   99
4S010M120200000	2	12	14	0.468   11.9	120   179	30	104   47	4.2   107
4S010M100200000	2	10	12	0.518   13.2	162   241	40	166   75	4.7   118
4D010M080200000	2	8	10	0.606   15.4	245   364	55	265   120	5.5   139
4D010M060200000	2	6	8	0.744   18.9	371   552	75	419   190	6.7   170
4D010M040200000	2	4	8	0.838   21.3	502   747	95	668   303	7.5   192
4D010M030200000	2	3	6	0.932   23.7	654   973	115	842   382	8.4   213
4D010M020200000	2	2	6	0.994   25.3	763   1135	130	1062   482	8.9   227
4D010M010240000	2	1	6	1.152   29.3	959   1427	145	1339   607	10.4   263
4D010M1/0240000	2	1/0	6	1.232   31.3	1120   1667	170	1690   766	11.1   282
4D010M2/0240000	2	2/0	6	1.318   33.5	1338   1992	195	2130   966	11.9   301
4D010M3/0240000	2	3/0	4	1.420   36.1	1648   2452	225	2671   1212	12.8   325
4D010M4/0240000	2	4/0	4	1.532   38.9	1987   2957	260	3386   1536	13.8   350
4D010M250260000	2	250	4	1.664   42.3	2290   3408	290	4000   1814	15.0   380
4D010M300260000	2	300	4	1.830   46.5	2762   4110	320	4800   2177	16.5   418
4D010M350260000	2	350	3	1.930   49.0	3175   4725	350	5600   2540	17.4   441
4D010M500260000	2	500	3	2.186   55.5	4284   6375	430	8000   3629	19.7   500
4D010M750260000	2	750	2	2.544   64.6	6150   9152	535	12000   5443	22.9   582
4D010M140300000	3	14	14	0.470   11.9	119   177	25	99   45	4.2   107
4S010M120300000	3	12	14	0.510   13.0	152   226	30	157   71	4.6   117
4S010M100300000	3	10	12	0.595   15.1	223   332	40	249   113	5.4   136
4D010M080300000	3	8	10	0.660   16.8	313   466	55	397   180	5.9   151
4D010M060300000	3	6	8	0.813   20.7	481   716	75	629   285	7.3   186
4D010M040300000	3	4	8	0.930   23.6	693   1032	95	1002   454	8.4   213
4D010M030300000	3	3	6	0.988   25.1	845   1258	115	1263   573	8.9   226
4D010M020300000	3	2	6	1.055   26.8	1005   1496	130	1593   723	9.5   241
4D010M010340000	3	1	6	1.225   31.1	1264   1882	145	2009   911	11.0   280
4D010M1/0340000	3	1/0	6	1.311   33.3	1498   2230	170	2534   1150	11.8   300
4D010M2/0340000	3	2/0	6	1.403   35.7	1802   2681	195	3194   1449	12.6   321
4D010M3/0340000	3	3/0	4	1.513   38.4	2239   3333	225	4007   1818	13.6   346
4D010M4/0340000	3	4/0	4	1.633   41.5	2727   4058	260	5078   2304	14.7   373

\*Ampacity value based on Canadian Electrical Code, Part 1 (2021 25th Edition), Table 2. Values are corrected for number of insulated conductors as applicable according to Table 5C.

# CSA Type CIC RW90 TC Tray Power, Multi-Conductor, 1000 V

PART NUMBER	NUMBER OF CONDUCTORS	CONDUCTOR SIZE	BONDING CONDUCTOR SIZE	NOMINAL DIAMETER OVERALL CABLE	CABLE WEIGHT	AMPACITY*	MAX PULLING TENSION (PULLING EYE)	MIN BEND RADIUS (PULL)
		AWG or kcmil	AWG	in.   mm	lb/1000ft   kg/km	30°C ambient	lb   kg	in.   mm
4D010M250360000	3	250	4	1.835   46.6	3238   4818	290	6000   2722	16.5   420
4D010M300360000	3	300	4	1.949   49.5	3775   5618	320	7200   3266	17.5   446
4D010M350360000	3	350	3	2.057   52.2	4355   6481	350	8400   3810	18.5   470
4D010M500360000	3	500	3	2.332   59.2	5940   8839	430	12000   5443	21   533
4D010M750360000	3	750	3	2.717   69.0	8586   12778	535	18000   8165	24.5   621
4D010M140400000	4	14	14	0.510   13.0	143   213	20	132   60	4.6   117
4S010M120400000	4	12	14	0.585   14.9	202   301	24	209   95	5.3   134
4S010M100400000	4	10	12	0.647   16.4	274   407	32	332   151	5.8   148
4D010M080400000	4	8	10	0.719   18.3	386   574	44	529   240	6.5   164
4D010M060400000	4	6	8	0.929   23.6	631   939	60	839   380	8.4   212
4D010M040400000	4	4	8	1.045   26.6	872   1298	76	1336   606	9.4   239
4D010M030400000	4	3	6	1.112   28.3	1069   1590	92	1684   764	10.0   254
4D010M020400000	4	2	6	1.189   30.2	1280   1904	104	2124   964	10.7   272
4D010M010440000	4	1	6	1.351   34.3	1614   2402	116	2678   1215	12.2   309
4D010M1/0440000	4	1/0	6	1.448   36.8	1911   2844	136	3379   1533	13.0   331
4D010M2/0440000	4	2/0	6	1.551   39.4	2339   3481	156	4259   1932	14.0   355
4D010M3/0440000	4	3/0	4	1.674   42.5	2877   4282	180	5343   2423	15.1   383
4D010M4/0440000	4	4/0	4	1.869   47.5	3632   5405	208	6771   3071	16.8   427
4D010M250460000	4	250	4	2.028   51.5	4174   6212	232	8000   3629	18.3   464
4D010M300460000	4	300	4	2.156   54.8	4899   7290	256	9600   4355	19.4   493
4D010M350460000	4	350	3	2.276   57.8	5627   8374	280	11200   5080	20.5   520
4D010M500460000	4	500	3	2.585   65.7	7737   11514	344	16000   7258	23.3   591
4D010M750460000	4	750	2	3.076   78.1	11373   16925	428	24000   10886	27.7   703

\*Ampacity value based on Canadian Electrical Code, Part 1 (2021 25th Edition), Table 2. Values are corrected for number of insulated conductors as applicable according to Table 5C.