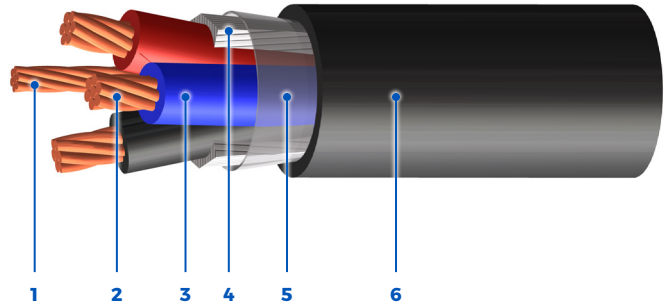


CSA Type CIC RW90 TC Tray Control, Multi-Conductor, 600 V

Tray Control cables are suitable for use in ventilated, non-ventilated and ladder type cable trays, direct burial, raceways and for exposed or concealed wiring in wet, damp or dry locations in -40°C (-40°F) environments. Applicable for use in Utilities, Industrial and Commercial applications.

Standards:



- 1 - Bonding Conductor
- 2 - Stranded Bare Copper Conductors (Tin-coated Available)
- 3 - XLPE (RW90 Rated) Insulated Conductors
- 4 - Polypropylene Fillers
- 5 - Polyester Separator Tape
- 6 - FR PVC Outer Protective Jacket

Product Construction

Insulation:

- XLPE (RW90 rated) rated: 90°C wet/105°C dry

Shielding (optional):

- Aluminum/mylar film
- Copper tape, helical or corrugated
- Tin-coated copper braid

Jacket:

- FR PVC outer black jacket rated: 90°C to -40°C

Available in:

- Custom insulation/jacket colours
- Composite constructions

Certification/Compliances

- CSA C22.2 No. 230, Tray cables
- CSA C22.2 No. 239, Control and instrumentation cables
- CSA C22.2 No. 38, Thermoset-insulated wires and cables
- CSA C22.2 No. 2556/UL 2556 FT4, Vertical Tray Flame Test rated
- IEEE 383/1202 (70,000 BTU/hr), Vertical Flame Test rated
- XLPE (RW90 rated), 90°C wet/105°C dry
- UV sunlight resistant "SUN RES" (all colours)
- Direct burial rated

- -40°C cold bend/impact rated
- Rated for use in hazardous locations:
 - Zone 0 (Class 1, Division 1) (Intrinsically circuits cables only)
 - Zone 2 (Class I, Division 2)
 - Zone 22 (Class II & III, Division 2)

Colour Coding

- 2C - Black & white
- 3C - Black, red & blue
- 4C - Black, red, blue & white
- 5C or greater - Black, number-coded with white ink

600 V

Voltage (Optional: 300, 1000, 2000 V)

CSA Type CIC RW90 TC

Control

Note:

- Type CIC and 105°C insulation temperature dry rating applicable to 20 - 4/0 AWG copper conductor sizes, in 300, 600, and 1000 V. In all other constructions, the insulation temperature dry rating is 90°C.
- Type RW90 applicable to 14 AWG - 2000 kcmil copper conductor sizes, in 600, 1000, and 2000 V.

CSA Type CIC RW90 TC Tray Control, Multi-Conductor, 600 V

PART NUMBER	NUMBER OF CONDUCTORS	CONDUCTOR SIZE	BONDING CONDUCTOR SIZE	NOMINAL DIAMETER OVERALL CABLE	CABLE WEIGHT	AMPACITY*	MAX PULLING TENSION (PULLING EYE)	MIN BEND RADIUS (PULL)
		AWG	AWG	in. mm	lb/1000ft kg/km	30°C ambient	lb kg	in. mm
4C010M140200000	2	14	14	0.372 9.5	82 122	25	66 30	3.3 85
4C010M140300000	3	14	14	0.403 10.2	100 149	25	99 45	3.6 92
4C010M140400000	4	14	14	0.436 11.1	122 182	20	132 60	3.9 100
4C010M140500000	5	14	14	0.465 11.8	140 208	20	165 75	4.2 106
4C010M140600000	6	14	14	0.505 12.8	163 243	20	197 90	4.5 115
4C010M140700000	7	14	14	0.575 14.6	202 300	17.5	230 104	5.2 131
4C010M140800000	8	14	14	0.616 15.7	227 338	17.5	263 119	5.5 141
4C010M141000000	10	14	14	0.668 17.0	265 394	17.5	329 149	6.0 153
4C010M141200000	12	14	14	0.688 17.5	300 446	17.5	395 179	6.2 157
4C010M141400000	14	14	14	0.722 18.4	341 508	17.5	461 209	6.5 165
4C010M141500000	15	14	14	0.741 18.8	361 537	17.5	494 224	6.7 169
4C010M142000000	20	14	14	0.841 21.4	462 688	17.5	658 298	7.6 192
4C010M142500000	25	14	14	0.974 24.7	599 891	15	823 373	8.8 223
4C010M143000000	30	14	14	1.028 26.1	690 1027	15	987 448	9.3 235
4C010M144000000	40	14	14	1.147 29.1	889 1324	15	1316 597	10.3 262
4C010M145000000	50	14	14	1.272 32.3	1082 1609	12.5	1645 746	11.4 291
4R010M120200000	2	12	14	0.408 10.4	104 154	20	104 47	3.7 93
4R010M120300000	3	12	14	0.443 11.3	132 196	20	157 71	4.0 101
4R010M120400000	4	12	14	0.480 12.2	160 239	16	209 95	4.3 110
4R010M120500000	5	12	14	0.514 13.1	192 285	16	261 118	4.6 117
4R010M120600000	6	12	14	0.589 15.0	240 358	16	313 142	5.3 135
4R010M120700000	7	12	14	0.634 16.1	275 410	14	365 166	5.7 145
4R010M120800000	8	12	14	0.681 17.3	304 453	14	418 189	6.1 156
4R010M121000000	10	12	14	0.740 18.8	359 535	14	522 237	6.7 169
4R010M121200000	12	12	14	0.763 19.4	413 615	14	626 284	6.9 174
4R010M121400000	14	12	14	0.802 20.4	469 698	14	731 331	7.2 183
4R010M121500000	15	12	14	0.823 20.9	498 741	14	783 355	7.4 188
4R010M122000000	20	12	14	0.976 24.8	677 1008	14	1044 474	8.8 223
4R010M122500000	25	12	14	1.082 27.5	830 1235	12	1305 592	9.7 247
4R010M123000000	30	12	14	1.144 29.1	962 1432	12	1566 710	10.3 261
4R010M124000000	40	12	14	1.278 32.5	1251 1861	12	2088 947	11.5 292
4R010M124000000	40	12	14	1.278 32.5	1251 1861	12	2088 947	11.5 292
4R010M125000000	50	12	14	1.420 36.1	1530 2277	10	2610 1184	12.8 325

*Ampacity value based on Canadian Electrical Code, Part 1 (2021 25th Edition), Table 2 or Table 57. Values are corrected for number of insulated conductors as applicable according to Table 5C or Table 57.

CSA Type CIC RW90 TC Tray Control, Multi-Conductor, 600 V

PART NUMBER	NUMBER OF CONDUCTORS	CONDUCTOR SIZE	BONDING CONDUCTOR SIZE	NOMINAL DIAMETER OVERALL CABLE	CABLE WEIGHT	AMPACITY*	MAX PULLING TENSION (PULLING EYE)	MIN BEND RADIUS (PULL)
		AWG	AWG	in. mm	lb/1000ft kg/km	30°C ambient	lb kg	in. mm
4R010M100200000	2	10	12	0.458 11.6	144 215	30	166 75	4.1 105
4R010M100300000	3	10	12	0.498 12.7	184 275	30	249 113	4.5 114
4R010M100400000	4	10	12	0.572 14.5	245 365	24	332 151	5.2 131
4R010M100500000	5	10	12	0.611 15.5	288 429	24	415 188	5.5 140
4R010M100600000	6	10	12	0.664 16.9	338 503	24	498 226	6.0 152
4R010M100700000	7	10	12	0.717 18.2	388 578	21	581 264	6.5 164
4R010M100800000	8	10	12	0.771 19.6	433 645	21	664 301	6.9 176
4R010M101000000	10	10	12	0.840 21.3	514 764	21	830 376	7.6 192
4R010M101200000	12	10	12	0.906 23.0	624 928	21	996 452	8.2 207
4R010M101400000	14	10	12	0.952 24.2	712 1060	21	1162 527	8.6 218
4R010M101500000	15	10	12	0.977 24.8	755 1124	21	1245 565	8.8 223
4R010M102500000	25	10	12	1.232 31.3	1197 1781	18	2075 941	11.1 282
4R010M103000000	30	10	12	1.304 33.1	1398 2080	18	2490 1129	11.7 298
4R010M104000000	40	10	12	1.461 37.1	1824 2714	18	3320 1506	13.1 334
4R010M105000000	50	10	12	1.626 41.3	2238 3330	15	4150 1882	14.6 372

*Ampacity value based on Canadian Electrical Code, Part 1 (2021 25th Edition), Table 2 or Table 57. Values are corrected for number of insulated conductors as applicable according to Table 5C or Table 57.