



UL Wire and Cable Products





CONTENT

- About Shawflex.....4**
- Technical Expertise and Service Quality.....6**
- Markets Served8**
- Custom Cable Design9**
- TYPE PLTC / ITC 11-25**
 - UL Type PLTC / ITC Unarmored Instrumentation, 300V 12
 - UL Type PLTC / ITC Armored Instrumentation, 300V..... 15
 - UL Type PLTC / ITC Unarmored Tray Thermocouple Extension, 300V.....18
 - UL Type PLTC / ITC Armored Thermocouple Extension, 300V20
 - UL Type PLTC / ITC Unarmored Tray Fieldbus/Profibus PA, 300V22
 - UL Type PLTC / ITC Armored Fieldbus/Profibus PA, 300V.....24
- TRAY 26-41**
 - UL Type TC Tray, Instrumentation, 600V27
 - UL Type TC Tray Control, Multi-Conductor, 600/1000V30
 - UL Type TC Tray Power, Multi-Conductor, 600/1000V33
 - UL Type TC Tray Control, Multi-Conductor, 2000V36
 - UL Type TC Tray Power, Multi-Conductor, 2000V.....39
- METAL CLAD..... 42-63**
 - UL Type MC Armored Instrumentation, 600V.....43
 - UL Type MC Armored Control, Multi-Conductor, 600/1000V.....46
 - UL Type MC Armored Power, Multi-Conductor, 600/1000V49
 - UL Type MC Armored Control, Multi-Conductor, 2000V.....52
 - UL Type MC Armored Power, Multi-Conductor, 2000V55
 - UL Type MC Armored Power, Single Conductor, 600/1000V58
 - UL Type MC Armored Power, Single Conductor, 2000V.....60
 - UL Type MC Riser Armored Mineshaft Cables, 2000V62
- VFD 64-68**
 - UL Type TC Tray VFD, Multi-Conductor, 600/1000V65
 - UL Type MC Armored VFD, Multi-Conductor, 600/1000V67
- UTILITY 69-75**
 - UL Type TC Copper Tape Utility, Multi-Conductor, 600/1000V70
 - UL Type TC Tray Control FR-EPR/CPE, Multi-Conductor, 600V73
- BUILDING WIRE 76-82**
 - UL HD-RHW-2, Single Conductor, 600V.....77
 - UL XHHW-2, Single Conductor, 600/1000V.....79
 - UL EPR RHW-2, Single Conductor, 600V.....81

Custom Engineered Wire, Cable and Assemblies.

MAKE THE RIGHT CONNECTIONS WITH SHAWFLEX CUSTOM ENGINEERED WIRE, CABLE AND ASSEMBLIES.

Shawflex is committed to leading the industry with innovative solutions that are proven, dependable and tested to the highest standards and precisely manufactured to your specifications. We are the market leader and a trusted brand, providing solutions from common to custom. We offer complete electrical solutions from instrumentation, control, and low-voltage power cables to wire termination and custom connectors.

With more than 60+ Years of manufacturing experience, we have built and maintained a reputation of excellence for our customers in North America.

STAYING CURRENT WITH CUSTOMER NEEDS IS HOW WE SECURE OUR PLACE IN THE MARKET.

At Shawflex, we manufacture both **run-to-order** and **engineered-to-order**.

Our run-to-order products are available from our extensive catalog of standard constructions.

For engineered-to-order cables, our highly skilled technical team will partner with you to interpret performance criteria, determine innovative solutions, and optimize cable capabilities while ensuring the cable meets all safety and specification requirements.



60+

years of manufacturing

14,000

unique parts manufactured

35+

countries where products
are sold

167 billion

cable design possibilities

Technical Expertise

LEADERSHIP IN INNOVATION DEPENDS ON SUPERIOR TECHNOLOGY AND DEDICATED PEOPLE.

Shawflex is committed to leading the industry with innovative solutions that are proven, dependable, tested to the highest standards, and precisely manufactured to your specifications.

At the heart of our commitment to our customers is our Solutions Development Team. They are dedicated to constantly push the boundaries of materials technologies, complex manufacturing techniques and custom testing programs. The Solutions Development Team designs products & services that are safer, more reliable, and more innovative to ensure they meet the highest standards for our customers' applications.

WE HAVE BEEN RECOGNIZED AND PRAISED AS A TOP LEAN MANUFACTURING FACILITY.

At Shawflex, we follow an industry-leading continuous improvement program integrating elements of six sigma, world-class manufacturing systems, company experience, strong leadership, and engaged employees. We have been able to drive excellence and reduce inefficiencies in both our manufacturing and business processes resulting in expedited service and quality product.

COMMITTED TO COMPLETE CUSTOMER SATISFACTION.

It all starts with your first contact with our sales or technical support teams. With an outstanding Inside Sales Support Team and dedicated market wise Sales Managers, we have an experienced team ready to help you with all your wire, cable, and assembly needs.

Service Quality

PRODUCT WHEN YOU NEED IT, HOW YOU NEED IT

To meet our customers' needs, our first promise is to meet your timeline. We do this through inventory, customer supply chain programs, and some of the shortest lead times in the industry.

We also meet your needs for:

- Quick turnaround on quotes
- Customized designs for specific project requirements
- Low minimum order quantities
- Reliable delivery, custom packaging
- Products manufactured to the highest quality standards
- Customer-focused testing
- Complete documentation and reporting

We demonstrate our commitment to quality and continuous improvement by meeting and exceeding our customer expectations—delivering superior quality and integrated solutions on time and on budget.



Markets Served

We serve multiple industries around the world providing solutions from space to sea.



Nuclear Power



Communications



Aerospace & Defense



Renewable Energy



EV infrastructure



Marine & Shipboard



Mining



Transit & Railway



Industrial & Commercial



Utilities



Custom Cable Solutions

Custom Cable Design

MEETING OUR CUSTOMERS' NEEDS FROM COMMON TO CUSTOM

Shawflex is uniquely positioned as both a run-to-order and an engineered-to-order wire and cable company. Our run-to-order products are available from our extensive catalog of standard constructions/items.

For Shawflex engineered to order cables, our highly skilled technical team will work with you to interpret performance criteria, determine innovative solutions and optimize cable capabilities while ensuring the cable meets all applicable safety and specification requirements.

1 Conductor Wire

Enables the transmission of electrical power or signal.

- 22 AWG - 2000 kcmil
- Bare copper
- Tin-coated copper
- Aluminum alloy
- Solid or stranded
- Flexible or extra flexible stranded
- Thermocouple extension alloys
- Metric sizes available
- Custom designs available

2 Insulation

Designed to withstand voltage stress and prevent short circuit conditions over its expected lifetime.

- Cable voltage ratings: 150V to 5000V
- UL, CSA or ICEA standard approved materials
- PVC
- PVC/Nylon
- PE (polyethylene)
- TPE (thermoplastic elastomer)
- XLPE
- EPR
- Halogen free
- Specified as per temperature rating

3 Hose/Tube

Permits the transfer of fluid under various temperature and pressure conditions.

4 Armoring

Protects the cable core from mechanical damage.

- UL/CSA aluminum interlocked armor
- UL/CSA steel interlocked armor
- UL/CSA steel wire armor
- Braid Armored: tin-coated copper, aluminum, bronze
- Bronze tape

5 Jacketing

Provides mechanical, chemical, environmental, and electrical protection of the cable core.

- UL, CSA or ICEA standard approved materials
- FR PVC
- PE (polyethylene)
- CPE (chlorinated polyethylene, thermoset and thermoplastic options available)
- TPE (thermoplastic elastomer)
- LSZH (low-smoke zero halogen, thermoset and thermoplastic options available)
- FR Polyurethane
- FR XLPO
- Meter/foot marking
- Color striping options available
- Color options available
- Specialty engineered compounds for sunlight resistance, oil resistance, lower temperature performance, low acid gas and radiation resistance

6 Shielding

Reflects signal interference and picks up noise and conducts it to ground.

- Aluminum/polyester tape with tin-coated copper drain wire, OS and/or over each cable subcomponent
- Helically applied copper tape
- Corrugated longitudinally applied copper tape
- Tin-coated copper braided shield
- Specialty tapes such as copper/polyester

7 Strength Member

Provides tensile strength for vertical installation.

- Steel rope
- Inner ribbed jacket or hi-tensile strength pulling members

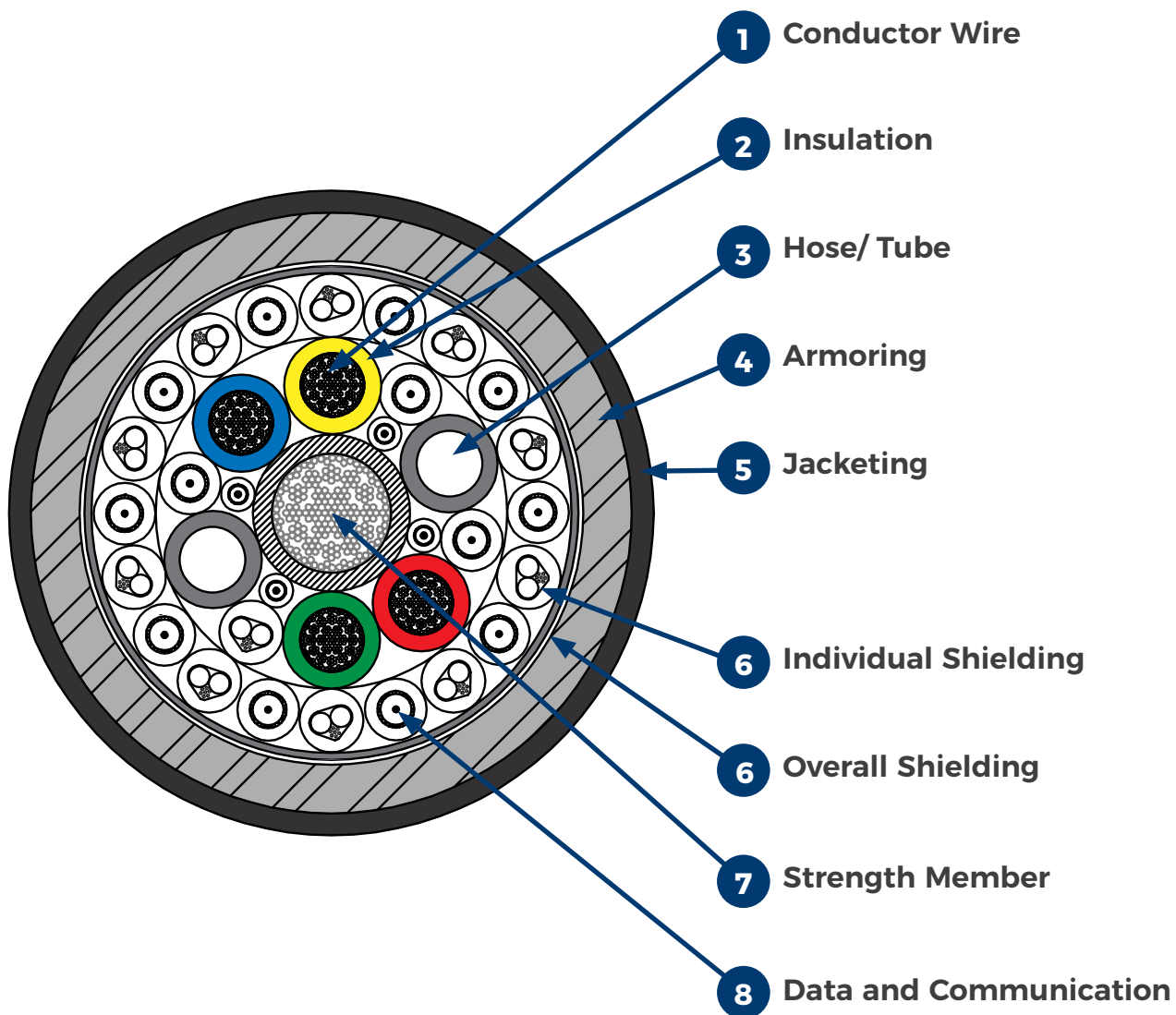
8 Data and Communication

Integration of different types of data and communication cables.

- Fiber optic
- Coaxial cable
- Category cable

Other Capabilities

- Color coding
- Insulation color stripe
- Special printing
- Special cable packaging
- Electron beam irradiation



PLTC/ITC

PROVIDING PROTECTION FROM NOISE, CROSSTALK AND COMMON MODE INTERFERENCES

Our Power Limited Tray Cable (PLTC) and Instrumentation Tray Cable (ITC) are dual listed and can be used to convey analog or digital signals. Cables can be installed in raceways, direct burial applications and in outdoor exposed industrial applications.

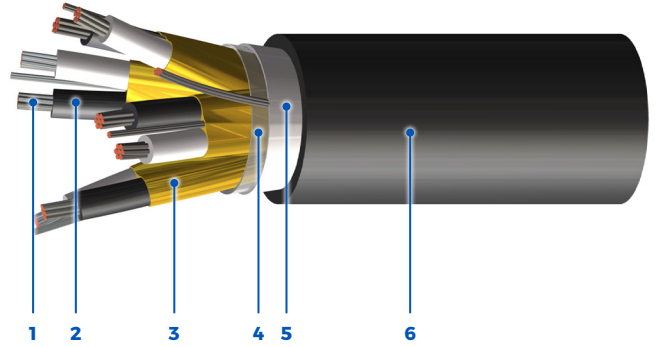
- TYPE PLTC / ITC 11-25**
- UL Type PLTC / ITC Unarmored Instrumentation, 300V12
- UL Type PLTC / ITC Armored Instrumentation, 300V.....15
- UL Type PLTC / ITC Unarmored Tray Thermocouple Extension, 300V..... 18
- UL Type PLTC / ITC Armored Thermocouple Extension, 300V20
- UL Type PLTC / ITC Unarmored Tray Fieldbus/Profibus PA, 300V22
- UL Type PLTC / ITC Armored Fieldbus/Profibus PA, 300V.....24

UL Type PLTC / ITC Unarmored Instrumentation, 300 V

Tray Instrumentation cables can be used to minimize noise and signal interference by preventing crosstalk between pairs and triads. This cable can also be used to carry analog or digital signals. Tray Instrumentation cables can be installed in raceways, direct burial applications and in outdoor exposed industrial applications.

Standards:

PLTC /
ITC-ER



- 1 - Stranded Bare Copper Conductors (Tin-coated available)
- 2 - FR PVC Insulated Conductors
- 3 - Individual Shield & Overall Shielded Pairs/Triads with Tin-coated Copper Drain Wire

- 4 - Polyester Separator Tape
- 5 - Overall Aluminum/Mylar Shield with Tin-coated Copper Drain Wire
- 6 - FR PVC Protective Jacket

Product Construction

Insulation:

- FR PVC rated: 60°C wet/105°C dry
- XLPE rated (optional)
- VW-1 rated (optional)

Shielding (foil-free edge):

- ISOS (standard)
- OS (optional)

Jacket:

- FR PVC outer black jacket rated: 90°C to -40°C
- Thermoset CPE (optional)
- Thermoplastic CPE (optional)
- Thermoplastic LSZH (optional)

Available in:

- Custom insulation/jacket color
- Composite constructions
- PLTC/ITC-ER with CPE jackets

Certification/Compliances

- UL 13, Power Limited Tray Cable (PLTC)
- UL 2250, Instrumentation Tray Cable (ITC)
- UL 83, Thermoplastic Insulated Wires and Cables
- UL 1685/FT4, Vertical Tray Flame Test rated (optional)
- IEEE 1202/383 (70,000 BTU/hr), Vertical Flame Test rated (optional)
- ICEA T-30-520 (70,000 BTU/hr), Vertical Flame Test rated
- UV sunlight resistant "SUN RES" (all colors)
- Direct burial rated (optional)
- -40°C cold bend rated
- Rated for use in hazardous locations:
 - Class I Zone 2 (Div 2)
 - Class II Zone 22 (Div 2)

300 V

Voltage

Color Coding

- Pairs - Black, & white, with black printing on white (standard)
- Triads - Black, white & red, with black printing on white (standard)

UL Type PLTC / ITC

Instrumentation

UL Type PLTC / ITC Unarmored Instrumentation, 300 V

Pairs

PART NUMBER	NUMBER OF PAIRS	CONDUCTOR SIZE	NOMINAL DIAMETER OVERALL CABLE	CABLE WEIGHT	MAX PULLING TENSION (PULLING EYE)	MIN BEND RADIUS (PULL)
		(AWG/kcmil)	(in/mm)	(lbs/1000ft) (kg/km)	(lb/kg)	(in/mm)
23021U160100700	1	16	0.267 / 6.8	43 / 64	41 / 19	4.8 / 122
23022U160200700	2	16	0.426 / 10.8	104 / 155	82 / 37	7.7 / 195
23022U160400700	4	16	0.492 / 12.5	152 / 226	165 / 75	8.9 / 225
23022U160600700	6	16	0.586 / 14.9	216 / 321	247 / 112	10.5 / 268
23022U160800700	8	16	0.654 / 16.6	283 / 421	330 / 150	11.8 / 299
23022U161200700	12	16	0.791 / 20.1	401 / 597	494 / 224	14.2 / 362
23022U161600700	16	16	0.880 / 22.4	508 / 755	659 / 299	15.8 / 402
23022U162400700	24	16	1.111 / 28.2	761 / 1132	989 / 449	20 / 508
23022U163600700	36	16	1.276 / 32.4	1076 / 1601	1483 / 673	23 / 583
23021U180100700	1	18	0.243 / 6.2	34 / 51	26 / 12	4.4 / 111
23022U180200700	2	18	0.366 / 9.3	74 / 110	52 / 24	6.6 / 167
23022U180400700	4	18	0.444 / 11.3	118 / 175	104 / 47	8 / 203
23022U180600700	6	18	0.525 / 13.4	166 / 246	156 / 71	9.5 / 240
23022U180800700	8	18	0.568 / 14.4	204 / 303	208 / 94	10.2 / 260
23022U181200700	12	18	0.707 / 18.0	299 / 446	312 / 142	12.7 / 323
23022U181800700	18	18	0.827 / 21.0	420 / 625	468 / 212	14.9 / 378
23022U182400700	24	18	0.987 / 25.1	562 / 836	624 / 283	17.8 / 451
23022U183600700	36	18	1.131 / 28.7	791 / 1178	936 / 425	20.4 / 517
23021U200100700	1	20	0.211 / 5.4	26 / 38	16 / 7	3.8 / 96
23022U200600700	6	20	0.445 / 11.3	122 / 182	96 / 44	8 / 203
23022U200800700	8	20	0.479 / 12.2	149 / 222	128 / 58	8.6 / 219
23022U201200700	12	20	0.574 / 14.6	209 / 311	192 / 87	10.3 / 263
23022U201600700	16	20	0.656 / 16.7	274 / 407	256 / 116	11.8 / 300
23022U202400700	24	20	0.803 / 20.4	392 / 583	384 / 174	14.5 / 367
23022U203600700	36	20	0.938 / 23.8	567 / 843	576 / 261	16.9 / 429

UL Type PLTC / ITC Unarmored Instrumentation, 300 V

Triads

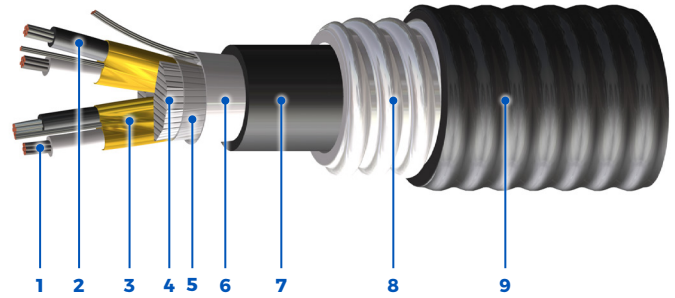
PART NUMBER	NUMBER OF PAIRS	CONDUCTOR SIZE	NOMINAL DIAMETER OVERALL CABLE	CABLE WEIGHT	MAX PULLING TENSION (PULLING EYE)	MIN BEND RADIUS (PULL)
		(AWG/kcmil)	(in/mm)	(lbs/1000ft) (kg/km)	(lb/kg)	(in/mm)
23031U160100700	1	16	0.280 / 7.1	54 / 80	62 / 28	5 / 128
23032U160200700	2	16	0.478 / 12.1	134 / 199	124 / 56	8.6 / 219
23032U160400700	4	16	0.555 / 14.1	203 / 302	247 / 112	10 / 254
23032U160600700	6	16	0.684 / 17.4	304 / 453	371 / 168	12.3 / 313
23032U160800700	8	16	0.741 / 18.8	382 / 568	494 / 224	13.3 / 339
23032U161200700	12	16	0.919 / 23.4	563 / 839	742 / 336	16.6 / 420
23032U161600700	16	16	1.023 / 26.0	718 / 1068	989 / 449	18.4 / 468
23032U162400700	24	16	1.268 / 32.2	1045 / 1555	1483 / 673	22.8 / 580
23031U180100700	1	18	0.255 / 6.5	41 / 61	39 / 18	4.6 / 116
23032U180200700	2	18	0.433 / 11.0	105 / 156	78 / 35	7.8 / 198
23032U180400700	4	18	0.500 / 12.7	153 / 227	156 / 71	9 / 229
23032U180600700	6	18	0.596 / 15.1	217 / 322	234 / 106	10.7 / 272
23032U180800700	8	18	0.665 / 16.9	283 / 422	312 / 142	12 / 304
23032U181200700	12	18	0.804 / 20.4	402 / 598	468 / 212	14.5 / 367
23032U181800700	18	18	0.964 / 24.5	584 / 869	702 / 318	17.3 / 441
23032U182400700	24	18	1.128 / 28.7	762 / 1133	936 / 425	20.3 / 516
23031U200100700	1	20	0.220 / 5.6	31 / 46	24 / 11	4 / 101
23032U200200700	2	20	0.350 / 8.9	71 / 106	48 / 22	6.3 / 160
23032U200400700	4	20	0.424 / 10.8	112 / 166	96 / 44	7.6 / 194
23032U200600700	6	20	0.500 / 12.7	156 / 233	144 / 65	9 / 229
23032U200800700	8	20	0.539 / 13.7	193 / 288	192 / 87	9.7 / 247
23032U201200700	12	20	0.670 / 17.0	284 / 423	288 / 131	12.1 / 306
23032U201600700	16	20	0.742 / 18.9	359 / 535	384 / 174	13.4 / 339
23032U202400700	24	20	0.932 / 23.7	534 / 795	576 / 261	16.8 / 426

UL Type PLTC / ITC Armored Instrumentation, 300 V

Armored Instrumentation cables can be used to minimize noise and signal interference by preventing crosstalk between pairs and triads. This cable can also be used to convey analog or digital signals. Tray Instrumentation cables can be installed in raceways, direct burial applications and in outdoor exposed industrial applications.

Standards:

PLTC /
ITC-ER



1 - Stranded Bare Copper Conductors (Tin-coated Available)

2 - FR PVC Insulated Conductors

3 - Individual Shield & Overall Shielded Pairs/Triads

4 - Polypropylene Fillers

5 - Polyester Separator Tape

6 - Overall Aluminum/Mylar Shield with Tin-coated Copper/Drain Wire

7 - FR PVC Inner Protective Jacket

8 - Aluminum Interlocked Armor (AIA)

9 - FR PVC Outer Protective Jacket

Product Construction

Insulation:

- FR PVC rated: 60°C wet/105°C dry
- XLPE rated (optional)
- VW-1 rated (optional)

Shielding (foil-free edge):

- ISOS (standard)
- OS (optional)

Armor:

- Aluminum Interlocked Armor (standard)
- Steel Interlocked Armor (optional)
- Served Wire Armor (SWA) (optional)

Jacket:

- FR PVC outer black jacket rated: 90°C to -40°C
- Thermoset CPE (optional)
- Thermoplastic CPE (optional)
- Thermoplastic LSZH (optional)

Available in:

- Custom insulation/jacket color
- Composite constructions
- PLTC/ITC-ER with CPE jackets

Certification/Compliances

- UL 13, Power Limited Tray Cable (PLTC)
- UL 2250, Instrumentation Tray Cable (ITC)
- UL 83, Thermoplastic Insulated Wires and Cables

- UL 1685 / FT4, Vertical Tray Flame Test rated (optional)
- IEEE 1202/383 (70,000 BTU/hr), Vertical Flame Test rated (optional)
- ICEA T-30-520 (70,000 BTU/hr), Vertical Flame Test rated
- UV sunlight resistant "SUN RES" (all colors)
- -40°C cold bend rated
- Rated for use in hazardous locations:
 - Class I Zone 2 (Div 2)
 - Class II Zone 22 (Div 2)

Color Coding

- Pairs - Black, & white, with black printing on white (standard)
- Triads - Black, white & red, with black printing on white (standard)

300 V

Voltage

UL Type PLTC / ITC

Instrumentation

UL Type PLTC / ITC Armored Instrumentation, 300 V

Pairs

PART NUMBER	NUMBER OF PAIRS	CONDUCTOR SIZE	OD OVER INNER JACKET	NORMAL DIAMETERS		CABLE WEIGHT	MAX PULLING TENSION (PULLING EYE)	MIN BEND RADIUS (PULL)
				OVER ARMOR	OVERALL CABLE			
		(AWG/kcmil)	(in/mm)	(in/mm)	(in/mm)	(lbs/1000ft) (kg/km)	(lb/kg)	(in/mm)
23621U160100700	1	16	0.267 / 6.8	0.507 / 12.9	0.619 / 15.7	159 / 237	41 / 19	11.1 / 283
23622U160200700	2	16	0.426 / 10.8	0.666 / 16.9	0.778 / 19.8	260 / 387	82 / 37	14 / 356
23622U160400700	4	16	0.492 / 12.5	0.732 / 18.6	0.844 / 21.4	324 / 482	165 / 75	15.2 / 386
23622U160600700	6	16	0.586 / 14.9	0.826 / 21.0	0.938 / 23.8	411 / 611	247 / 112	16.9 / 429
23622U160800700	8	16	0.654 / 16.6	0.894 / 22.7	1.007 / 25.6	494 / 735	330 / 150	18.1 / 460
23622U161200700	12	16	0.791 / 20.1	0.995 / 25.3	1.107 / 28.1	638 / 950	494 / 224	19.9 / 506
23622U161600700	16	16	0.880 / 22.4	1.084 / 27.5	1.196 / 30.4	767 / 1141	659 / 299	21.5 / 547
23622U162400700	24	16	1.111 / 28.2	1.315 / 33.4	1.426 / 36.2	1076 / 1601	989 / 449	25.7 / 652
23622U163600700	36	16	1.276 / 32.4	1.480 / 37.6	1.592 / 40.4	1431 / 2130	1483 / 673	28.6 / 728
23621U180100700	1	18	0.243 / 6.2	0.483 / 12.3	0.595 / 15.1	145 / 215	26 / 12	10.7 / 272
23622U180200700	2	18	0.366 / 9.3	0.606 / 15.4	0.718 / 18.2	215 / 320	52 / 24	12.9 / 328
23622U180400700	4	18	0.444 / 11.3	0.684 / 17.4	0.796 / 20.2	278 / 414	104 / 47	14.3 / 364
23622U180600700	6	18	0.525 / 13.4	0.765 / 19.4	0.877 / 22.3	346 / 514	156 / 71	15.8 / 401
23622U180800700	8	18	0.568 / 14.4	0.808 / 20.5	0.920 / 23.4	394 / 586	208 / 94	16.6 / 421
23622U181200700	12	18	0.707 / 18.0	0.947 / 24.0	1.059 / 26.9	523 / 779	312 / 142	19.1 / 484
23622U181800700	18	18	0.827 / 21.0	1.031 / 26.2	1.143 / 29.0	666 / 991	468 / 212	20.6 / 522
23622U182400700	24	18	0.987 / 25.1	1.191 / 30.3	1.303 / 33.1	847 / 1260	624 / 283	23.5 / 596
23622U183600700	36	18	1.131 / 28.7	1.335 / 33.9	1.447 / 36.8	1112 / 1654	936 / 425	26 / 662
23621U200100700	1	20	0.211 / 5.4	0.451 / 11.5	0.563 / 14.3	129 / 192	16 / 7	10.1 / 257
23622U200200700	2	20	0.313 / 8.0	0.553 / 14.1	0.665 / 16.9	182 / 270	32 / 15	12 / 304
23622U200400700	4	20	0.360 / 9.1	0.600 / 15.2	0.712 / 18.1	221 / 329	64 / 29	12.8 / 325
23622U200600700	6	20	0.445 / 11.3	0.685 / 17.4	0.797 / 20.2	282 / 420	96 / 44	14.3 / 364
23622U200800700	8	20	0.479 / 12.2	0.719 / 18.3	0.831 / 21.1	317 / 472	128 / 58	15 / 380
23622U201200700	12	20	0.574 / 14.6	0.814 / 20.7	0.926 / 23.5	400 / 596	192 / 87	16.7 / 423
23622U201600700	16	20	0.656 / 16.7	0.896 / 22.8	1.008 / 25.6	485 / 722	256 / 116	18.2 / 461
23622U202400700	24	20	0.803 / 20.4	1.007 / 25.6	1.119 / 28.4	632 / 940	384 / 174	20.1 / 512
23622U203600700	36	20	0.938 / 23.8	1.142 / 29.0	1.254 / 31.9	839 / 1249	576 / 261	22.6 / 573

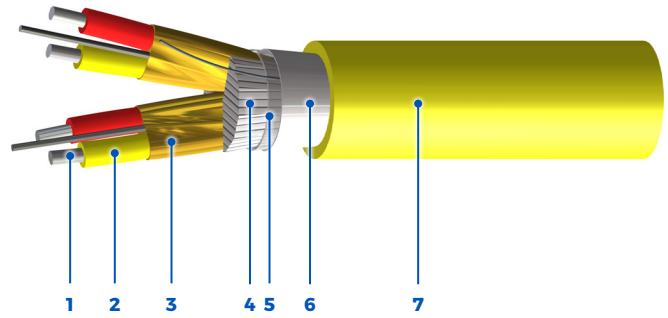
UL Type PLTC / ITC Armored Instrumentation, 300 V

Triads

PART NUMBER	NUMBER OF TRIADS	CONDUCTOR SIZE	OD OVER INNER JACKET	NORMAL DIAMETERS		CABLE WEIGHT	MAX PULLING TENSION (PULLING EYE)	MIN BEND RADIUS (PULL)
				OVER ARMOR	OVERALL CABLE			
		(AWG/kcmil)	(in/mm)	(in/mm)	(in/mm)	(lbs/1000ft) (kg/km)	(lb/kg)	(in/mm)
23631U160100700	1	16	0.280 / 7.1	0.520 / 13.2	0.632 / 16.1	174 / 259	62 / 28	11.4 / 289
23632U160200700	2	16	0.478 / 12.1	0.718 / 18.2	0.830 / 21.1	302 / 449	124 / 56	14.9 / 379
23632U160400700	4	16	0.555 / 14.1	0.795 / 20.2	0.907 / 23.0	390 / 580	247 / 112	16.3 / 415
23632U160600700	6	16	0.684 / 17.4	0.924 / 23.5	1.036 / 26.3	523 / 778	371 / 168	18.7 / 474
23632U160800700	8	16	0.741 / 18.8	0.981 / 24.9	1.093 / 27.8	614 / 914	494 / 224	19.7 / 500
23632U161200700	12	16	0.919 / 23.4	1.124 / 28.5	1.235 / 31.3	832 / 1238	742 / 336	22.2 / 565
23632U161600700	16	16	1.023 / 26.0	1.227 / 31.2	1.339 / 34.0	1012 / 1505	989 / 449	24.1 / 612
23632U162400700	24	16	1.268 / 32.2	1.472 / 37.4	1.584 / 40.2	1398 / 2081	1483 / 673	28.5 / 724
23631U180100700	1	16	0.255 / 6.5	0.495 / 12.6	0.607 / 15.4	156 / 232	39 / 18	10.9 / 277
23632U180200700	2	18	0.433 / 11.0	0.673 / 17.1	0.785 / 19.9	262 / 390	78 / 35	14.1 / 359
23632U180400700	4	18	0.500 / 12.7	0.740 / 18.8	0.852 / 21.7	327 / 486	156 / 71	15.3 / 390
23632U180600700	6	18	0.596 / 15.1	0.836 / 21.2	0.948 / 24.1	414 / 616	234 / 106	17.1 / 433
23632U180800700	8	18	0.665 / 16.9	0.905 / 23.0	1.017 / 25.8	497 / 740	312 / 142	18.3 / 465
23632U181200700	12	18	0.804 / 20.4	1.008 / 25.6	1.120 / 28.4	642 / 956	468 / 212	20.2 / 512
23632U181800700	18	18	0.964 / 24.5	1.168 / 29.7	1.280 / 32.5	863 / 1285	702 / 318	23 / 585
23632U182400700	24	18	1.128 / 28.7	1.332 / 33.8	1.444 / 36.7	1081 / 1609	936 / 425	26 / 660
23631U200100700	1	18	0.220 / 5.6	0.460 / 11.7	0.572 / 14.5	136 / 203	24 / 11	10.3 / 262
23632U200200700	2	18	0.350 / 8.9	0.590 / 15.0	0.702 / 17.8	208 / 310	48 / 22	12.6 / 321
23632U200400700	4	20	0.424 / 10.8	0.664 / 16.9	0.776 / 19.7	266 / 396	96 / 44	14 / 355
23632U200600700	6	20	0.500 / 12.7	0.740 / 18.8	0.852 / 21.6	330 / 491	144 / 65	15.3 / 389
23632U200800700	8	20	0.539 / 13.7	0.779 / 19.8	0.891 / 22.6	376 / 560	192 / 87	16 / 407
23632U201200700	12	20	0.670 / 17.0	0.910 / 23.1	1.022 / 26.0	499 / 743	288 / 131	18.4 / 467
23632U201600700	16	20	0.742 / 18.9	0.982 / 24.9	1.094 / 27.8	592 / 881	384 / 174	19.7 / 500
23632U202400700	24	20	0.932 / 23.7	1.136 / 28.9	1.248 / 31.7	806 / 1199	576 / 261	22.5 / 571

UL Type PLTC / ITC Unarmored Tray Thermocouple Extension, 300 V

Shawflex Thermocouple Extension cables offer advantages in cost and mechanical properties when used for connections between thermocouples and instruments.



- 1 - Thermocouple Alloys
- 2 - FR PVC Insulated Thermocouple Alloy Wires
- 3 - Individual Aluminum/Mylar Shielded Pairs with Tin-coated Copper Drain Wire
- 4 - Polypropylene Fillers
- 5 - Polyester Separator Tape
- 6 - Overall Aluminum/Mylar Shield with Tin-coated Copper Drain Wire
- 7 - FR PVC Outer Protective Jacket

Standards:

PLTC / ITC-ER



Product Construction

Insulation:

- FR PVC Insulation rated: 60°C wet/ 105°C dry
- XLPE rated (optional)
- VW-1 rated (optional)

Shielding (foil-free edge):

- ISOS (standard)
- OS (optional)

Jacket:

- FR PVC yellow (standard) dependent on requested thermocouple alloy rated: 90°C to -40°C
- Thermoset CPE (optional)
- Thermoplastic CPE (optional)
- Thermoplastic LSZH (optional)

Available in:

- Composite constructions
- Custom insulation/ jacket colors
- PLTC/ITC-ER with CPE jackets

- Extension cables for type E, J, K, N, R, S and T thermocouple alloys

Certification/Compliances

- UL 13, Power Limited Tray Cable (PLTC)
- UL 2250, Instrumentation Tray Cable (ITC)
- UL 83, Thermoplastic Insulated Wires and Cables
- IEEE 1202/383 (70,000 BTU/hr), Vertical Flame Test rated (optional)
- UL 1685 / FT4, Vertical Tray Flame Test rated (optional)
- ICEA T-30-520 (70,000 BTU/hr), Vertical Flame Test rated
- UV sunlight resistant "SUN RES" (all colors)
- -40°C cold bend rated
- Rated for use in hazardous locations:
 - Class I Zone 2 (Div 2)
 - Class II Zone 22 (Div 2)

300 V

Voltage

UL Type PLTC / ITC

Thermocouple Extension

Color Coding

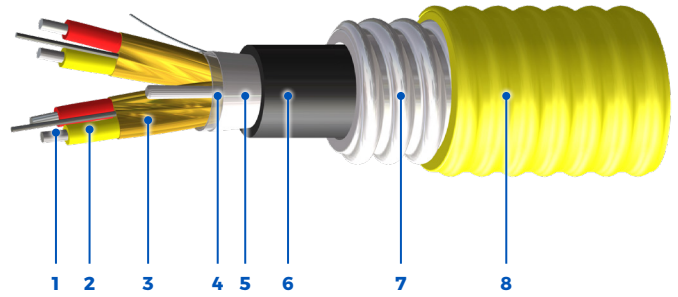
- | | | | |
|---------------|------------|---------|---------------|
| • Type EX: | (+) Purple | (-) Red | Purple jacket |
| • Type JX: | (+) White | (-) Red | Black jacket |
| • Type KX: | (+) Yellow | (-) Red | Yellow jacket |
| • Type NX: | (+) Orange | (-) Red | Orange jacket |
| • Type RX/SX: | (+) Black | (-) Red | Green jacket |
| • Type TX: | (+) Blue | (-) Red | Blue jacket |

UL Type PLTC / ITC Unarmored Tray Thermocouple Extension, 300 V

PART NUMBER	NUMBER OF PAIRS	CONDUCTOR SIZE	NOMINAL DIAMETER OVERALL CABLE	CABLE WEIGHT	MAX PULLING TENSION (PULLING EYE)	MIN BEND RADIUS (PULL)
		(AWG/kcmil)	(in/mm)	(lbs/1000ft) (kg/km)	(lb/kg)	(in/mm)
7P021U160147700	1	16	0.257 / 6.5	40 / 60	41 / 19	4.6 / 118
7P022U160247700	2	16	0.389 / 9.9	91 / 135	82 / 37	7 / 178
7P022U160447700	4	16	0.472 / 12.0	145 / 216	165 / 75	8.5 / 216
7P022U160647700	6	16	0.561 / 14.2	206 / 307	247 / 112	10.1 / 256
7P022U160847700	8	16	0.607 / 15.4	257 / 383	330 / 150	10.9 / 277
7P022U161247700	12	16	0.756 / 19.2	381 / 567	494 / 224	13.6 / 346
7P022U162447700	24	16	1.059 / 26.9	720 / 1071	989 / 449	19.1 / 484
7P021U180147700	1	18	0.235 / 6.0	32 / 47	26 / 12	4.2 / 107
7P022U180247700	2	18	0.353 / 9.0	72 / 106	52 / 24	6.4 / 161
7P022U180447700	4	18	0.428 / 10.9	112 / 166	104 / 47	7.7 / 196
7P022U180647700	6	18	0.505 / 12.8	156 / 232	156 / 71	9.1 / 231
7P022U180847700	8	18	0.546 / 13.9	193 / 287	208 / 94	9.8 / 249
7P022U181247700	12	18	0.679 / 17.2	283 / 422	312 / 142	12.2 / 310
7P022U182447700	24	18	0.946 / 24.0	532 / 791	624 / 283	17 / 433

UL Type PLTC / ITC Armored Thermocouple Extension, 300 V

Shawflex Thermocouple Extension cables offer advantages in cost and mechanical properties when used for connections between thermocouples and instruments.



- 1 - Thermocouple Alloys
- 2 - FR PVC insulated Thermocouple Alloy Wires
- 3 - Individual Aluminum/Mylar Shielded Pairs with Tin-coated Copper Drain Wire
- 4 - Polyester Separator Tape
- 5 - Overall Aluminum/Mylar Shield with Tin-coated Copper Drain Wire
- 6 - FR PVC Black Inner Protective Jacket
- 7 - Aluminum Interlocked Armor (AIA)
- 8 - FR PVC Yellow Outer Protective Jacket

Standards:

PLTC / ITC-ER



Product Construction

Insulation:

- FR PVC rated: 60°C wet/ 105°C dry
- XLPE rated (optional)
- VW-1 rated (optional)

Shielding (foil-free edge):

- ISOS (standard)
- OS (optional)

Armor:

- Aluminum Interlocked Armor (AIA) (standard)
- Steel Interlocked Armor (SIA) (optional)
- Served Wire Armor (SWA) (optional)

Jacket:

- FR PVC yellow (standard) dependent on requested thermocouple alloy rated: 90°C to -40°C
- Thermoset CPE (optional)
- Thermoplastic CPE (optional)
- Thermoplastic LSZH (optional)

Available in:

- Composite constructions
- Custom insulation/ jacket colors
- PLTC/ITC-ER with CPE jackets
- Extension cables for type E, J, K, N, R, S and T thermocouple alloys

Certification/Compliances

- UL 13, Power Limited Tray Cable (PLTC)
- UL 2250, Instrumentation Tray Cable (ITC)
- UL 83, Thermoplastic Insulated Wires and Cables
- IEEE 1202/383 (70,000 BTU/hr), Vertical Flame Test rated (optional)
- UL 1685 / FT4, Vertical Tray Flame Test rated (optional)
- ICEA T-30-520 (70,000 BTU/hr), Vertical Flame Test rated
- UV sunlight resistant "SUN RES" (all colors)
- -40°C cold bend rated
- Rated for use in hazardous locations:
 - Class I Zone 2 (Div 2)
 - Class II Zone 22 (Div 2)

300 V

Voltage

UL Type PLTC / ITC

Thermocouple Extension

Color Coding

- | | | | |
|---------------|------------|---------|---------------|
| • Type EX: | (+) Purple | (-) Red | Purple jacket |
| • Type JX: | (+) White | (-) Red | Black jacket |
| • Type KX: | (+) Yellow | (-) Red | Yellow jacket |
| • Type NX: | (+) Orange | (-) Red | Orange jacket |
| • Type RX/SX: | (+) Black | (-) Red | Green jacket |
| • Type TX: | (+) Blue | (-) Red | Blue jacket |

UL Type PLTC / ITC Armored Thermocouple Extension, 300 V

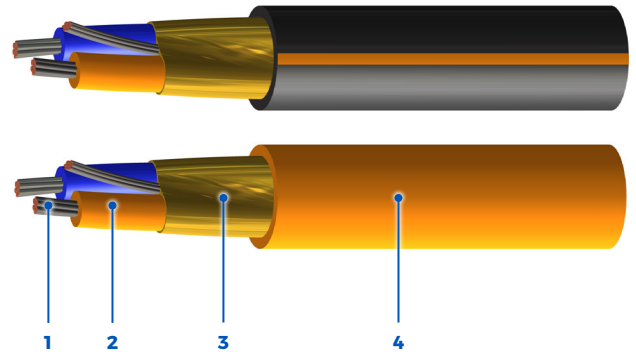
PART NUMBER	NUMBER OF PAIRS	CONDUCTOR SIZE (AWG/kcmil)	OD OVER INNER JACKET (in/mm)	NORMAL DIAMETERS		CABLE WEIGHT (lbs/1000ft) (kg/km)	MAX PULLING TENSION (PULLING EYE) (lb/kg)	MIN BEND RADIUS (PULL) (in/mm)
				OVER ARMOR (in/mm)	OVERALL CABLE (in/mm)			
7P621U160147700	1	16	0.257 / 6.5	0.497 / 12.6	0.609 / 15.5	155 / 230	41 / 19	11 / 278
7P622U160247700	2	16	0.389 / 9.9	0.629 / 16	0.741 / 18.8	238 / 354	82 / 37	13.3 / 339
7P622U160447700	4	16	0.472 / 12.0	0.712 / 18.1	0.824 / 20.9	312 / 465	165 / 75	14.8 / 377
7P622U160647700	6	16	0.561 / 14.2	0.801 / 20.3	0.913 / 23.2	395 / 587	247 / 112	16.4 / 417
7P622U160847700	8	16	0.607 / 15.4	0.847 / 21.5	0.959 / 24.4	457 / 680	330 / 150	17.3 / 438
7P622U161247700	12	16	0.756 / 19.2	0.996 / 25.3	1.108 / 28.1	617 / 919	494 / 224	19.9 / 506
7P622U162447700	24	16	1.059 / 26.9	1.299 / 33.0	1.411 / 35.8	1029 / 1531	989 / 449	25.4 / 645
7P621U180147700	1	18	0.235 / 6.0	0.475 / 12.1	0.587 / 14.9	141 / 210	26 / 12	10.6 / 268
7P622U180247700	2	18	0.353 / 9.0	0.593 / 15.1	0.705 / 17.9	210 / 312	52 / 24	12.7 / 322
7P622U180447700	4	18	0.428 / 10.9	0.668 / 17.0	0.780 / 19.8	268 / 399	104 / 47	14 / 357
7P622U180647700	6	18	0.505 / 12.8	0.745 / 18.9	0.857 / 21.8	331 / 493	156 / 71	15.4 / 392
7P622U180847700	8	18	0.546 / 13.9	0.786 / 20.0	0.898 / 22.8	378 / 562	208 / 94	16.2 / 410
7P622U181247700	12	18	0.679 / 17.2	0.919 / 23.3	1.031 / 26.2	501 / 745	312 / 142	18.5 / 471
7P622U182447700	24	18	0.946 / 24.0	1.186 / 30.1	1.298 / 33.0	813 / 1210	624 / 283	23.4 / 594

UL Type PLTC / ITC Unarmored Tray Fieldbus/Profibus PA, 300 V

Fieldbus is the process industries digital replacement for analog 4-20mA transmission of process variables. Depending mainly on the current requirement of each device, up to 32 sensors and actuators are possible on a Fieldbus link with a maximum transmission distance of 1900m.

Standards:

PLTC / ITC-ER



1 - Stranded Tin-coated Copper Pairs

2 - FR XLPE (VW-1 Rated) Insulated Pairs (standard)

3 - Individual Aluminum/Mylar Shield with Drain Wire Over Each Pair

4 - FR PVC Outer Protective Jacket

Product Construction

Insulation:

- FR XLPE (VW-1 rated) rated: 60°C wet/105°C dry

Shielding (foil-free edge):

- ISOS (standard)
- OS (optional)

Jacket:

- FR PVC outer orange jacket (standard for Fieldbus) rated: 90°C to -40°C
- FR PVC outer purple jacket (standard for Profibus) rated: 90°C to -40°C
- Black with integral orange stripe (optional)
- Blue for Intrinsically Safe applications
- Thermoset CPE (optional)
- Thermoplastic CPE (optional)
- Thermoplastic LSZH (optional)

Available in:

- Custom insulation/jacket colors
- PLTC/ITC-ER with CPE jackets

Certification/Compliances

- Foundation Fieldbus Spec. FF-844, Type "A", H1
- UL 13, Power Limited Tray Cable (PLTC)
- UL 2250, Instrumentation Tray Cable (ITC)
- UL 44, Thermoset Insulated Wires and Cables)
- UL 1685/FT4, Vertical Tray Flame Test rated (optional)
- IEEE 1202/383 (70,000 BTU/hr), Vertical Flame Test rated (optional)
- ICEA T-30-520 (70,000 BTU/hr), Vertical Flame Test rated
- UV sunlight resistant "SUN RES" (all colors)

- Direct burial rated (optional)
- -40°C cold bend rated
- Rated for use in hazardous locations:
 - Class I Zone 0 (Intrinsically Safe cables only)
 - Class I Zone 2 (Div 2)

Color Coding

- Blue and Orange conductors (standard)

300 V

Voltage

UL Type PLTC / ITC

Fieldbus/Profibus PA

UL Type PLTC / ITC Unarmored Tray Fieldbus/Profibus PA, 300 V

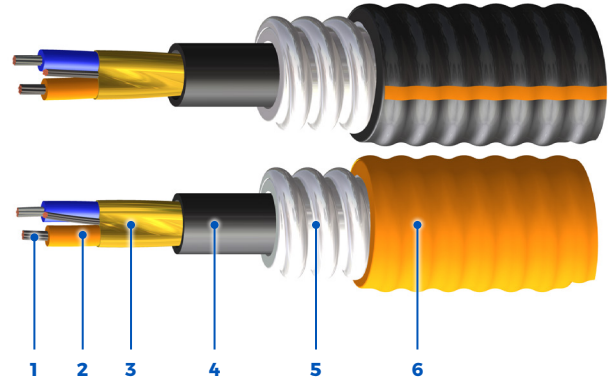
PART NUMBER	NUMBER OF PAIRS	CONDUCTOR SIZE	NOMINAL DIAMETER OVERALL CABLE	CABLE WEIGHT	MAX PULLING TENSION (PULLING EYE)	MIN BEND RADIUS (PULL)
		(AWG/kcmil)	(in/mm)	(lbs/1000ft) (kg/km)	(lb/kg)	(in/mm)
2F021U160105700	1	16	0.357 / 9.1	66 / 98	41 / 19	6.4 / 163
2F022U160205700	2	16	0.557 / 14.2	149 / 222	82 / 37	10 / 255
2F022U160405700	4	16	0.672 / 17.1	230 / 342	165 / 75	12.1 / 307
2F022U160605700	6	16	0.807 / 20.5	330 / 491	247 / 112	14.5 / 369
2F022U160805700	8	16	0.877 / 22.3	410 / 610	330 / 150	15.8 / 401
2F022U161205700	12	16	1.092 / 27.7	607 / 903	494 / 224	19.7 / 499
2F022U161605700	16	16	1.220 / 31.0	762 / 1134	659 / 299	22 / 558
2F022U162405700	24	16	1.541 / 39.1	1139 / 1695	989 / 449	27.7 / 705
2F021U180105700	1	18	0.313 / 8.0	49 / 73	26 / 12	5.6 / 143
2F022U180205700	2	18	0.485 / 12.3	111 / 165	52 / 24	8.7 / 222
2F022U180405700	4	18	0.564 / 14.3	157 / 233	104 / 47	10.2 / 258
2F022U180605700	6	18	0.696 / 17.7	236 / 351	156 / 71	12.5 / 318
2F022U180805700	8	18	0.754 / 19.2	291 / 432	208 / 94	13.6 / 345
2F022U181205700	12	18	0.937 / 23.8	425 / 633	312 / 142	16.9 / 429
2F022U181805700	18	18	1.102 / 28.0	593 / 882	468 / 212	19.8 / 504
2F022U182405700	24	18	1.315 / 33.4	793 / 1180	624 / 283	23.7 / 601

UL Type PLTC / ITC Armored Fieldbus/Profibus PA, 300 V

Fieldbus is the process industries digital replacement for analog 4-20mA transmission of process variables. Depending mainly on the current requirement of each device, up to 32 sensors and actuators are possible on a Fieldbus link with a maximum transmission distance of 1900m.

Standards:

PLTC /
ITC-ER



1 - Stranded Tin-coated
Copper Pairs

2 - FR XLPE (VW-1 Rated)
Insulated Pairs (standard)

3 - Individual Aluminum/
Mylar Shield with Drain
Wire Over Each Pair

4 - FR PVC Inner
Protective Jacket

5 - Aluminum Interlocked
Armor (AIA)

6 - FR PVC Outer
Protective Jacket

Product Construction

Insulation:

- FR XLPE (VW-1 rated)
rated: 60°C wet/105°C dry

Shielding (foil-free edge):

- ISOS (standard)
- OS (optional)

Armor:

- Aluminum Interlocked
Armor (AIA) (standard)
- Steel Interlocked Armor
(SIA) (optional)

Jacket:

- FR PVC outer orange jacket
(standard for Fieldbus)
rated:
90°C to -40°C
- FR PVC outer purple jacket
(standard for Profibus)
rated: 90°C to -40°C
- Black with integral
orange stripe (optional)
- Blue for Intrinsically
Safe applications

- Thermoset
CPE (optional)
- Thermoplastic
CPE (optional)
- Thermoplastic
LSZH (optional)

Available in:

- Custom insulation/
jacket colors
- PLTC/ITC-ER with
CPE jackets

Certification/ Compliances

- Foundation Fieldbus
Spec. FF-844, Type "A",H1
- UL 13, Power Limited
Tray Cable (PLTC)
- UL 2250, Instrumentation
Tray Cable (ITC)
- UL 44, Thermoset Insulated
Wires and Cables
- UL 1685/FT4, Vertical Tray
Flame Test rated (optional)

- IEEE 1202/383 (70,000
BTU/hr), Vertical Flame
Test rated (optional)
- ICEA T-30-520 (70,000
BTU/hr), Vertical Flame
Test rated
- UV sunlight resistant
"SUN RES" (all colors)
- Direct burial
rated (optional)
- 40°C cold bend rated
- Rated for use in hazardous
locations:
 - Class I Zone 0
(Intrinsically Safe
cables only)
 - Class I Zone 2 (Div 2)

Color Coding

- Blue and Orange
conductors (standard)

300 V

Voltage

UL Type PLTC / ITC

Fieldbus/Profibus PA

UL Type PLTC / ITC Armored Fieldbus/Profibus PA, 300 V

PART NUMBER	NUMBER OF PAIRS	CONDUCTOR SIZE (AWG/kcmil)	OD OVER INNER JACKET (in/mm)	NORMAL DIAMETERS		CABLE WEIGHT (lbs/1000ft) (kg/km)	MAX PULLING TENSION (PULLING EYE) (lb/kg)	MIN BEND RADIUS (PULL) (in/mm)
				OVER ARMOR (in/mm)	OVERALL CABLE (in/mm)			
2F621U160105700	1	16	0.357 / 9.1	0.597 / 15.2	0.709 / 18.0	202 / 301	41 / 19	12.8 / 324
2F622U160205700	2	16	0.557 / 14.2	0.797 / 20.3	0.909 / 23.1	337 / 502	82 / 37	16.4 / 416
2F622U160405700	4	16	0.672 / 17.1	0.912 / 23.2	1.024 / 26.0	446 / 663	165 / 75	18.4 / 468
2F622U160605700	6	16	0.807 / 20.5	1.011 / 25.7	1.123 / 28.5	571 / 850	247 / 112	20.2 / 513
2F622U160805700	8	16	0.877 / 22.3	1.081 / 27.5	1.193 / 30.3	668 / 994	330 / 150	21.5 / 545
2F622U161205700	12	16	1.092 / 27.7	1.296 / 32.9	1.408 / 35.8	917 / 1365	494 / 224	25.3 / 644
2F622U161605700	16	16	1.220 / 31.0	1.424 / 36.2	1.536 / 39.0	1104 / 1643	659 / 299	27.6 / 702
2F622U162405700	24	16	1.541 / 39.1	1.745 / 44.3	1.877 / 47.7	1595 / 2373	989 / 449	33.8 / 858
2F621U180105700	1	18	0.313 / 8.0	0.553 / 14.1	0.665 / 16.9	176 / 261	26 / 12	12 / 304
2F622U180205700	2	18	0.485 / 12.3	0.725 / 18.4	0.837 / 21.3	281 / 418	52 / 24	15.1 / 383
2F622U180405700	4	18	0.564 / 14.3	0.804 / 20.4	0.916 / 23.3	346 / 515	104 / 47	16.5 / 419
2F622U180605700	6	18	0.696 / 17.7	0.936 / 23.8	1.048 / 26.6	458 / 681	156 / 71	18.9 / 479
2F622U180805700	8	18	0.754 / 19.2	0.994 / 25.3	1.106 / 28.1	526 / 783	208 / 94	19.9 / 506
2F622U181205700	12	18	0.937 / 23.8	1.141 / 29.0	1.253 / 31.8	698 / 1039	312 / 142	22.6 / 573
2F622U181805700	18	18	1.102 / 28.0	1.306 / 33.2	1.418 / 36.0	906 / 1348	468 / 212	25.5 / 648
2F622U182405700	24	18	1.315 / 33.4	1.519 / 38.6	1.631 / 41.4	1158 / 1723	624 / 283	29.4 / 746

TRAY

OFFERING A WIDE RANGE OF UL TRAY CABLE PRODUCTS FOR INDUSTRIAL AND UTILITY APPLICATIONS, PROVIDING SUPERB PERFORMANCE AND EASE OF INSTALLATION

We provide a variety of insulation and jacketing materials, such as, PVC/NYLON, XLPE, and EPR insulation, PVC, CPE (TP or TS), and LSZH compounds for jacketing, with a wide selection of shielding configurations including aluminum mylar tape, corrugated longitudinal copper tape, helical copper tape, etc. Supporting your challenging and complex cable design needs - including products with over 80 conductors - with a team of highly experienced engineers and operations professionals

Offering one-stop shopping with a broad range of sizes and cable configurations available to meet your diverse performance requirements

TRAY	26-41
UL Type TC Tray, Instrumentation, 600V	27
UL Type TC Tray Control, Multi-Conductor, 600/1000V	30
UL Type TC Tray Power, Multi-Conductor, 600/1000V	33
UL Type TC Tray Control, Multi-Conductor, 2000V	36
UL Type TC Tray Power, Multi-Conductor, 2000V	39

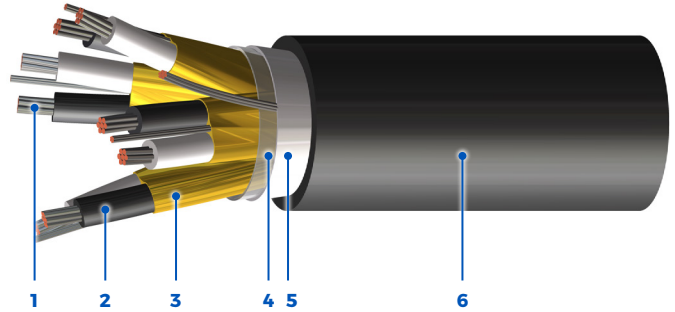
UL Type TC Tray, Instrumentation, 600 V

Tray Instrumentation cables can be used to minimize noise and signal interference by preventing crosstalk between pairs and triads. This cable can also be used to carry analog or digital signals. Tray Instrumentation cables can be installed in raceways, direct burial applications and in outdoor exposed industrial applications.

Standards:



TC-ER



- 1 – Stranded Bare Copper Conductors (Tin-coated available)
- 2 – FR XLPE (XHHW-2 rated) Insulated Conductors
- 3 – Individual Shield & Overall Shielded Pairs/Triads with Tin-coated Copper Drain Wire

- 4 – Polyester Separator Tape
- 5 – Overall Aluminum/Mylar Shield with Tin-coated Copper Drain Wire
- 6 – FR PVC Protective Jacket

Product Construction

Insulation:

- FR XLPE (XHHW-2 rated) rated: 90°C wet/dry
- VW-1 rated (optional)

Shielding (foil-free edge):

- ISOS (standard)
- OS (optional)

Jacket:

- FR PVC outer black jacket rated: 90°C to -40°C
- Thermoset CPE (optional)
- Thermoplastic CPE (optional)
- Thermoplastic LSZH (optional)

Available in:

- Custom insulation/jacket colors
- Composite constructions

Certification/Compliances

- UL 1277, Tray Cable (TC-ER)
- UL 44, Thermoset Insulated Wires and Cables
- UL 1685/FT4, Vertical Tray Flame Test rated (optional)
- IEEE 1202/383 (70,000 BTU/hr), Vertical Flame Test rated (optional)
- ICEA T-30-520 (70,000 BTU/hr), Vertical Flame Test rated
- XLPE (XHHW-2 rated), 90°C wet/dry
- UV sunlight resistant "SUN RES" (all colors)
- Direct burial rated
- -40°C cold bend rated
- Rated for use in hazardous locations:
 - Class I Zone 2 (Div 2)
 - Class II Zone 22 (Div 2)

600 V

Voltage

Color Coding

- Pairs – Black, & white, with black printing on white (standard)
- Triads – Black, white & red, with black printing on white (standard)
- Method 4 (optional)

UL Type TC-ER

Instrumentation

UL Type TC Tray, Instrumentation, 600 V

Pairs

PART NUMBER	NUMBER OF PAIRS	CONDUCTOR SIZE	NOMINAL DIAMETER OVERALL CABLE	CABLE WEIGHT	MAX PULLING TENSION (PULLING EYE)	MIN BEND RADIUS (PULL)
		(AWG/kcmil)	(in/mm)	(lbs/1000ft) (kg/km)	(lb/kg)	(in/mm)
2C021U160100300	1	16	0.347 / 8.8	60 / 89	41 / 19	6.2 / 159
2C022U160200300	2	16	0.514 / 13.1	126 / 187	82 / 37	9.3 / 235
2C022U160400300	4	16	0.632 / 16.1	199 / 296	165 / 75	11.4 / 289
2C022U160600300	6	16	0.756 / 19.2	282 / 420	247 / 112	13.6 / 346
2C022U160800300	8	16	0.821 / 20.9	349 / 519	330 / 150	14.8 / 375
2C022U161200300	12	16	1.042 / 26.5	534 / 795	494 / 224	18.7 / 476
2C022U161600300	16	16	1.160 / 29.5	667 / 993	659 / 299	20.9 / 530
2C022U162400300	24	16	1.438 / 36.5	963 / 1433	989 / 449	25.9 / 658
2C022U163600300	36	16	1.657 / 42.1	1353 / 2013	1483 / 673	29.8 / 758
2C021U180100300	1	18	0.323 / 8.2	49 / 73	26 / 12	5.8 / 148
2C022U180200300	2	18	0.475 / 12.1	100 / 149	52 / 24	8.5 / 217
2C022U180400300	4	18	0.584 / 14.8	156 / 232	104 / 47	10.5 / 267
2C022U180600300	6	18	0.696 / 17.7	218 / 324	156 / 71	12.5 / 318
2C022U180800300	8	18	0.754 / 19.2	266 / 396	208 / 94	13.6 / 345
2C022U181200300	12	18	0.957 / 24.3	407 / 605	312 / 142	17.2 / 438
2C022U181800300	18	18	1.122 / 28.5	559 / 832	468 / 212	20.2 / 513
2C022U182400300	24	18	1.315 / 33.4	719 / 1070	624 / 283	23.7 / 601
2C022U183600300	36	18	1.512 / 38.4	996 / 1482	936 / 425	27.2 / 692

UL Type TC Tray, Instrumentation, 600 V

Triads

PART NUMBER	NUMBER OF TRIADS	CONDUCTOR SIZE	NOMINAL DIAMETER OVERALL CABLE	CABLE WEIGHT	MAX PULLING TENSION (PULLING EYE)	MIN BEND RADIUS (PULL)
		(AWG/kcmil)	(in/mm)	(lbs/1000ft) (kg/km)	(lb/kg)	(in/mm)
2C031U160100300	1	16	0.365 / 9.3	72 / 107	62 / 28	6.6 / 167
2C032U160200300	2	16	0.615 / 15.6	179 / 267	124 / 56	11.1 / 281
2C032U160400300	4	16	0.718 / 18.2	261 / 388	247 / 112	12.9 / 328
2C032U160600300	6	16	0.903 / 22.9	409 / 609	371 / 168	16.3 / 413
2C032U160800300	8	16	0.978 / 24.8	503 / 749	494 / 224	17.6 / 447
2C032U161200300	12	16	1.188 / 30.2	713 / 1060	742 / 336	21.4 / 543
2C032U161600300	16	16	1.326 / 33.7	897 / 1335	989 / 449	23.9 / 606
2C032U162400300	24	16	1.651 / 41.9	1305 / 1941	1483 / 673	29.7 / 755
2C031U180100300	1	18	0.339 / 8.6	57 / 85	39 / 18	6.1 / 155
2C032U180200300	2	18	0.568 / 14.4	145 / 215	78 / 35	10.2 / 260
2C032U180400300	4	18	0.661 / 16.8	203 / 302	156 / 71	11.9 / 302
2C032U180600300	6	18	0.791 / 20.1	289 / 430	234 / 106	14.2 / 362
2C032U180800300	8	18	0.899 / 22.8	389 / 579	312 / 142	16.2 / 411
2C032U181200300	12	18	1.089 / 27.7	547 / 814	468 / 212	19.6 / 498
2C032U181800300	18	18	1.281 / 32.5	754 / 1123	702 / 318	23.1 / 586
2C032U182400300	24	18	1.506 / 38.2	977 / 1453	936 / 425	27.1 / 688

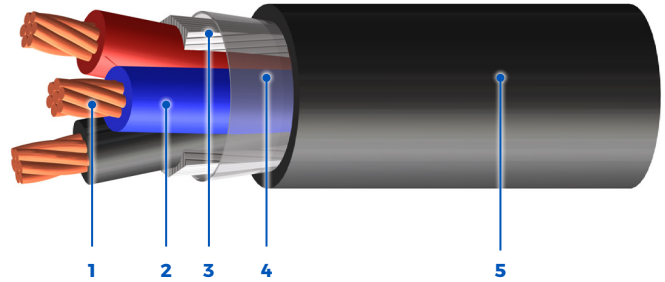
UL Type TC Tray Control, Multi-Conductor, 600/1000 V

Tray Control cables are suitable for use in ventilated, non-ventilated and ladder type cable trays, direct burial, raceways and for exposed or concealed wiring in wet, damp or dry locations in -40°C (-40°F) environments. Applicable for use in Utilities, Industrial and Commercial applications.

Standards:



TC-ER



- 1 – Strand Bare (ASTM B8) Annealed Copper Conductors
- 2 – FR XLPE (XHHW-2 Rated) Insulated Conductors
- 3 – Polypropylene Fillers

- 4 – Polyester Separator Tape
- 5 – FR PVC Outer Protective Jacket

Product Construction

Insulation:

- FR XLPE (XHHW-2 rated) rated: 90°C wet/dry
- VW-1 rated (optional)

Jacket:

- FR PVC outer black jacket rated: 90°C to -40°C
- Thermoset CPE (optional)
- Thermoplastic CPE (optional)
- Thermoplastic LSZH (optional)

Available in:

- Custom insulation/ jacket colors
- Composite constructions

Certification/Compliances

- UL 1277, Tray Cable (TC-ER)
- UL 44, Thermoset Insulated Wires and Cables
- UL 1685/FT4, Vertical Tray Flame Test rated (optional)
- IEEE 1202/383 (70,000 BTU/hr), Vertical Flame Test rated (optional)
- ICEA T-30-520 (70,000 BTU/hr), Vertical Flame Test rated
- XLPE (XHHW-2 rated), 90°C wet/dry
- UV sunlight resistant "SUN RES" (all colors)
- Direct burial rated
- -40°C cold bend rated
- Rated for use in hazardous locations:
 - Class I Zone 2 (Div 2)
 - Class II Zone 22 (Div 2)

**600/
1000 V**

**Voltage
(1000 V optional)**

Color Coding

- Method K1 & K2 (standard)
- Method 4 (optional)

**UL Type
TC-ER**

Instrumentation

UL Type TC Tray Control, Multi-Conductor, 600/1000 V

PART NUMBER	NUMBER OF PAIRS	CONDUCTOR SIZE	NOMINAL DIAMETER OVERALL CABLE	CABLE WEIGHT	AMPACITY	MAX PULLING TENSION (PULLING EYE)	MIN BEND RADIUS (PULL)
		(AWG/kcmil)	(in/mm)	(lbs/1000ft) (kg/km)	(30°C ambient)	(lb/kg)	(in/mm)
2C010U140200300	2	14	0.372 / 9.5	72 / 108	25	66 / 30	3.3 / 85
2C010U140300300	3	14	0.392 / 10.0	90 / 134	25	99 / 45	3.5 / 90
2C010U140400300	4	14	0.426 / 10.8	111 / 166	20	132 / 60	3.8 / 97
2C010U140500300	5	14	0.465 / 11.8	130 / 194	20	165 / 75	4.2 / 106
2C010U140600300	6	14	0.505 / 12.8	153 / 228	20	197 / 90	4.5 / 115
2C010U140700300	7	14	0.505 / 12.8	167 / 249	17.5	230 / 104	4.5 / 115
2C010U140800300	8	14	0.575 / 14.6	207 / 308	17.5	263 / 119	5.2 / 131
2C010U141000300	10	14	0.668 / 17.0	256 / 381	12.5	329 / 149	6 / 153
2C010U141200300	12	14	0.688 / 17.5	291 / 433	12.5	395 / 179	6.2 / 157
2C010U141400300	14	14	0.722 / 18.4	331 / 493	12.5	461 / 209	6.5 / 165
2C010U141500300	15	14	0.741 / 18.8	351 / 522	12.5	494 / 224	6.7 / 169
2C010U142000300	20	14	0.841 / 21.4	453 / 674	12.5	658 / 298	7.6 / 192
2C010U142500300	25	14	0.974 / 24.7	590 / 878	11.25	823 / 373	8.8 / 223
2C010U143000300	30	14	1.028 / 26.1	680 / 1012	11.25	987 / 448	9.3 / 235
2C010U144000300	40	14	1.147 / 29.1	871 / 1296	10	1316 / 597	10.3 / 262
2C010U145000300	50	14	1.272 / 32.3	1067 / 1588	8.75	1645 / 746	11.4 / 291
2C010U120200300	2	12	0.408 / 10.4	95 / 141	30	104 / 47	3.7 / 93
2C010U120300300	3	12	0.431 / 10.9	122 / 182	30	157 / 71	3.9 / 98
2C010U120400300	4	12	0.470 / 11.9	150 / 224	24	209 / 95	4.2 / 107
2C010U120500300	5	12	0.514 / 13.1	183 / 272	24	261 / 118	4.6 / 117
2C010U120600300	6	12	0.589 / 15.0	233 / 347	24	313 / 142	5.3 / 135
2C010U120700300	7	12	0.589 / 15.0	255 / 380	21	365 / 166	5.3 / 135
2C010U120800300	8	12	0.634 / 16.1	283 / 421	21	418 / 189	5.7 / 145
2C010U121000300	10	12	0.740 / 18.8	351 / 523	15	522 / 237	6.7 / 169
2C010U121200300	12	12	0.763 / 19.4	405 / 602	15	626 / 284	6.9 / 174
2C010U121400300	14	12	0.802 / 20.4	460 / 685	15	731 / 331	7.2 / 183
2C010U121500300	15	12	0.823 / 20.9	488 / 727	15	783 / 355	7.4 / 188
2C010U122000300	20	12	0.976 / 24.8	672 / 1000	15	1044 / 474	8.8 / 223
2C010U122500300	25	12	1.082 / 27.5	821 / 1221	13.5	1305 / 592	9.7 / 247
2C010U123000300	30	12	1.144 / 29.1	953 / 1418	13.5	1566 / 710	10.3 / 261
2C010U124000300	40	12	1.278 / 32.5	1230 / 1831	12	2088 / 947	11.5 / 292

*Ampacity value based on National Electrical Code, Version 2020, Table 310.16. Values are corrected according to Table 310.15(C)(1) for number of Conductors.

UL Type TC Tray Control, Multi-Conductor, 600/1000 V

PART NUMBER	NUMBER OF PAIRS	CONDUCTOR SIZE	NOMINAL DIAMETER OVERALL CABLE	CABLE WEIGHT	AMPACITY	MAX PULLING TENSION (PULLING EYE)	MIN BEND RADIUS (PULL)
		(AWG/kcmil)	(in/mm)	(lbs/1000ft) (kg/km)	(30°C ambient)	(lb/kg)	(in/mm)
2C010U125000300	50	12	1.420 / 36.1	1515 / 2254	10.5	2610 / 1184	12.8 / 325
2C010U100200300	2	10	0.458 / 11.6	128 / 191	40	166 / 75	4.1 / 105
2C010U100300300	3	10	0.484 / 12.3	168 / 250	40	249 / 113	4.4 / 111
2C010U100400300	4	10	0.530 / 13.5	214 / 318	32	332 / 151	4.8 / 121
2C010U100500300	5	10	0.611 / 15.5	273 / 406	32	415 / 188	5.5 / 140
2C010U100600300	6	10	0.664 / 16.9	323 / 481	32	498 / 226	6 / 152
2C010U100700300	7	10	0.664 / 16.9	357 / 531	28	581 / 264	6 / 152
2C010U100800300	8	10	0.717 / 18.2	400 / 595	28	664 / 301	6.5 / 164
2C010U101000300	10	10	0.840 / 21.3	498 / 742	20	830 / 376	7.6 / 192
2C010U101200300	12	10	0.906 / 23.0	612 / 911	20	996 / 452	8.2 / 207
2C010U101400300	14	10	0.952 / 24.2	699 / 1040	20	1162 / 527	8.6 / 218
2C010U101500300	15	10	0.977 / 24.8	742 / 1104	20	1245 / 565	8.8 / 223
2C010U102000300	20	10	1.109 / 28.2	963 / 1434	20	1660 / 753	10 / 253
2C010U102500300	25	10	1.232 / 31.3	1179 / 1755	18	2075 / 941	11.1 / 282
2C010U103000300	30	10	1.304 / 33.1	1380 / 2053	18	2490 / 1129	11.7 / 298
2C010U104000300	40	10	1.461 / 37.1	1790 / 2664	16	3320 / 1506	13.1 / 334
2C010U105000300	50	10	1.626 / 41.3	2211 / 3291	14	4150 / 1882	14.6 / 372

*Ampacity value based on National Electrical Code, Version 2020, Table 310.16. Values are corrected according to Table 310.15(C)(1) for number of Conductors.

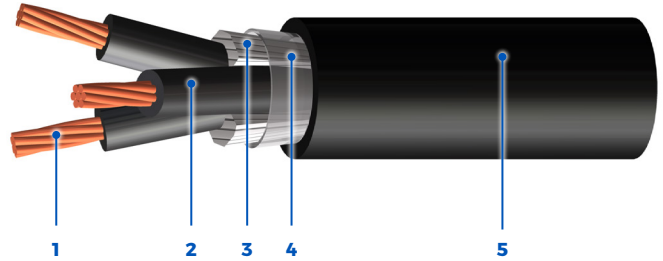
UL Type TC Tray Power, Multi-Conductor, 600/1000 V

Tray Power cables are suitable for use in ventilated, non-ventilated and ladder type cable trays, direct burial, raceways and for exposed or concealed wiring in wet, damp or dry locations in -40°C (-40°F environments). Applicable for use in Utilities, Industrial and Commercial applications.

Standards:



TC-ER



1 - Strand Bare (ASTM B8)
Annealed Copper Conductors

2 - FR XLPE (XHHW-2 Rated)
Insulated Conductors

3 - Polypropylene Fillers

4 - Polyester Separator Tape

5 - FR PVC Outer
Protective Jacket

Product Construction

Insulation:

- FR XLPE (XHHW-2 rated) rated: 90°C wet/dry
- VW-1 rated (optional)

Jacket:

- FR PVC outer black jacket rated: 90°C to -40°C
- Thermoset CPE (optional)
- Thermoplastic CPE (optional)
- Thermoplastic LSZH (optional)

Available in:

- Custom insulation/jacket colors
- Composite constructions

Certification/Compliances

- UL 1277, Tray Cable (TC-ER)
- UL 44, Thermoset Insulated Wires and Cables
- UL 1685/FT4, Vertical Tray Flame Test rated (optional)
- IEEE 1202/383 (70,000 BTU/hr), Vertical Flame Test rated (optional)
- ICEA T-30-520 (70,000 BTU/hr), Vertical Flame Test rated
- XLPE (XHHW-2 rated), 90°C wet/dry
- UV sunlight resistant "SUN RES" (all colors)
- Direct burial rated
- -40°C cold bend rated
- Rated for use in hazardous locations:
 - Class I Zone 2 (Div 2)
 - Class II Zone 22 (Div 2)

600/ 1000 V

Voltage
(1000 V optional)

Color Coding

- Black conductors (standard)
- Method K1 or K2 (optional)
- Method 4 (optional)

UL Type TC-ER

Instrumentation

UL Type TC Tray Power, Multi-Conductor, 600/1000 V

PART NUMBER	NUMBER OF PAIRS	CONDUCTOR SIZE	NOMINAL DIAMETER OVERALL CABLE	CABLE WEIGHT	AMPACITY	MAX PULLING TENSION (PULLING EYE)	MIN BEND RADIUS (PULL)
		(AWG/kcmil)	(in/mm)	(lbs/1000ft) (kg/km)	(30°C ambient)	(lb/kg)	(in/mm)
2C010U140200300	2	14	0.372 / 9.5	72 / 108	25	66 / 30	3.3 / 85
2C010U120200300	2	12	0.408 / 10.4	95 / 141	30	104 / 47	3.7 / 93
2C010U100200300	2	10	0.458 / 11.6	128 / 191	40	166 / 75	4.1 / 105
2C010U080200300	2	8	0.606 / 15.4	218 / 324	55	265 / 120	5.5 / 139
2C010U060200300	2	6	0.684 / 17.4	298 / 443	75	419 / 190	6.2 / 156
2C010U040200300	2	4	0.778 / 19.8	426 / 634	95	668 / 303	7 / 178
2C010U030200300	2	3	0.832 / 21.1	511 / 761	115	842 / 382	7.5 / 190
2C010U020200300	2	2	0.934 / 23.7	656 / 977	130	1062 / 482	8.4 / 214
2C010U010240300	2	1	1.052 / 26.7	816 / 1214	145	1339 / 607	9.5 / 240
2C010U1/0240300	2	1/0	1.132 / 28.8	991 / 1474	170	1690 / 766	10.2 / 259
2C010U2/0240300	2	2/0	1.218 / 30.9	1202 / 1789	195	2130 / 966	11 / 278
2C010U3/0240300	2	3/0	1.320 / 33.5	1468 / 2184	225	2671 / 1212	11.9 / 302
2C010U4/0240300	2	4/0	1.432 / 36.4	1799 / 2677	260	3386 / 1536	12.9 / 327
2C010U250260300	2	250	1.564 / 39.7	2099 / 3123	290	4000 / 1814	14.1 / 358
2C010U300260300	2	300	1.670 / 42.4	2465 / 3668	320	4800 / 2177	15 / 382
2C010U350260300	2	350	1.830 / 46.5	2939 / 4373	350	5600 / 2540	16.5 / 418
2C010U500260300	2	500	2.086 / 53.0	4036 / 6007	430	8000 / 3629	18.8 / 477
2C010U140300300	3	14	0.392 / 10.0	90 / 134	25	99 / 45	3.5 / 90
2C010U120300300	3	12	0.431 / 10.9	122 / 182	30	157 / 71	3.9 / 98
2C010U100300300	3	10	0.484 / 12.3	168 / 250	40	249 / 113	4.4 / 111
2C010U080300300	3	8	0.641 / 16.3	285 / 424	55	397 / 180	5.8 / 147
2C010U060300300	3	6	0.725 / 18.4	398 / 592	75	629 / 285	6.5 / 166
2C010U040300300	3	4	0.826 / 21.0	577 / 859	95	1002 / 454	7.4 / 189
2C010U030300300	3	3	0.924 / 23.5	736 / 1096	115	1263 / 573	8.3 / 211
2C010U020300300	3	2	0.991 / 25.2	886 / 1319	130	1593 / 723	8.9 / 226
2C010U010340300	3	10	1.117 / 28.4	1110 / 1652	145	2009 / 911	10.1 / 255
2C010U1/0340300	3	1/0	1.203 / 30.6	1359 / 2022	170	2534 / 1150	10.8 / 275
2C010U2/0340300	3	2/0	1.296 / 32.9	1657 / 2465	195	3194 / 1449	11.7 / 296
2C010U3/0340300	3	3/0	1.406 / 35.7	2034 / 3027	225	4007 / 1818	12.6 / 321
2C010U4/0340300	3	4/0	1.526 / 38.8	2501 / 3722	260	5078 / 2304	13.7 / 349
2C010U250360300	3	250	1.668 / 42.4	2927 / 4356	290	6000 / 2722	15 / 381

*Ampacity value based on National Electrical Code, Version 2020, Table 310.16. Values are corrected according to Table 310.15(C)(1) for number of Conductors. Per Table 310.15(C)(1), the ampacity of 4/C cable shall be reduced by a factor of 0.8 when the neutral is considered a current-carrying conductor.

UL Type TC Tray Power, Multi-Conductor, 600/1000 V

PART NUMBER	NUMBER OF PAIRS	CONDUCTOR SIZE	NOMINAL DIAMETER OVERALL CABLE	CABLE WEIGHT	AMPACITY	MAX PULLING TENSION (PULLING EYE)	MIN BEND RADIUS (PULL)
		(AWG/kcmil)	(in/mm)	(lbs/1000ft) (kg/km)	(30°C ambient)	(lb/kg)	(in/mm)
2C010U300360300	3	300	1.842 / 46.8	3556 / 5292	320	7200 / 3266	16.6 / 421
2C010U350360300	3	350	1.949 / 49.5	4089 / 6086	350	8400 / 3810	17.5 / 446
2C010U500360300	3	500	2.224 / 56.5	5662 / 8426	430	12000 / 5443	20 / 509
2C010U750360300	3	750	2.674 / 67.9	8362 / 12444	535	18000 / 8165	24.1 / 611
2C010U140400300	4	14	0.426 / 10.8	111 / 166	20	132 / 60	3.8 / 97
2C010U120400300	4	12	0.470 / 11.9	150 / 224	24	209 / 95	4.2 / 107
2C010U100400300	4	10	0.530 / 13.5	214 / 318	32	332 / 151	4.8 / 121
2C010U080400300	4	8	0.702 / 17.8	357 / 531	44	529 / 240	6.3 / 161
2C010U060400300	4	6	0.796 / 20.2	504 / 750	60	839 / 380	7.2 / 182
2C010U040400300	4	4	0.949 / 24.1	776 / 1154	76	1336 / 606	8.5 / 217
2C010U030400300	4	3	1.014 / 25.8	935 / 1392	92	1684 / 764	9.1 / 232
2C010U020400300	4	2	1.088 / 27.7	1143 / 1701	104	2124 / 964	9.8 / 249
2C010U010440300	4	1	1.231 / 31.3	1429 / 2127	116	2678 / 1215	11.1 / 281
2C010U1/0440300	4	1/0	1.327 / 33.7	1751 / 2605	136	3379 / 1533	11.9 / 303
2C010U2/0440300	4	2/0	1.431 / 36.3	2143 / 3189	156	4259 / 1932	12.9 / 327
2C010U4/0440300	4	4/0	1.749 / 44.4	3368 / 5012	208	6771 / 3071	15.7 / 400
2C010U250460300	4	250	1.908 / 48.5	3927 / 5844	232	8000 / 3629	17.2 / 436
2C010U300460300	4	300	2.035 / 51.7	4630 / 6890	256	9600 / 4355	18.3 / 465
2C010U350460300	4	350	2.156 / 54.8	5329 / 7931	280	11200 / 5080	19.4 / 493
2C010U500460300	4	500	2.464 / 62.6	7406 / 11021	344	16000 / 7258	22.2 / 563
2C010U750460300	4	750	3.028 / 76.9	11138 / 16575	428	24000 / 10886	27.3 / 692

*Ampacity value based on National Electrical Code, Version 2020, Table 310.16. Values are corrected according to Table 310.15(C)(1) for number of Conductors. Per Table 310.15(C)(1), the ampacity of 4/C cable shall be reduced by a factor of 0.8 when the neutral is considered a current-carrying conductor.

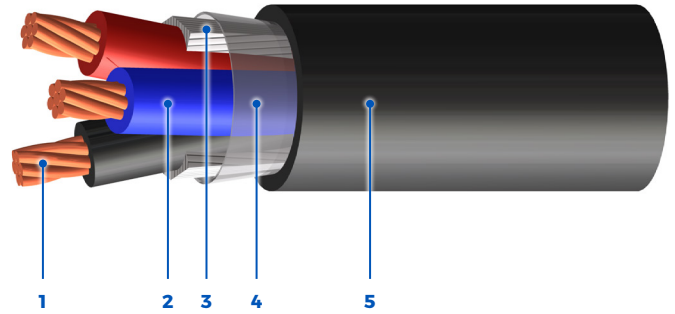
UL Type TC Tray Control, Multi-Conductor, 2000 V

Tray Control cables are suitable for use in ventilated, non-ventilated and ladder type cable trays, direct burial, raceways and for exposed or concealed wiring in wet, damp or dry locations in -40°C (-40°F) environments. Applicable for use in Utilities, Industrial and Commercial applications.

Standards:



TC-ER



- 1 - Strand Bare (ASTM B8) Annealed Copper Conductors
- 2 - FR XLPE (RHW-2 Rated) Insulated Conductors
- 3 - Polypropylene Fillers

- 4 - Polyester Separator Tape
- 5 - FR PVC Outer Protective Jacket

Product Construction

Insulation:

- FR XLPE (RHW-2 rated) rated: 90°C wet/dry

Jacket

- FR PVC outer black jacket rated: 90°C to -40°C
- Thermoset CPE (optional)
- Thermoplastic CPE (optional)
- Thermoplastic LSZH (optional)

Available in:

- Custom insulation/jacket colors
- Composite constructions

Certification/Compliances

- UL 1277, Tray Cable (TC-ER)
- UL 44, Thermoset Insulated Wires and Cables
- UL 1685/FT4, Vertical Tray Flame Test rated (optional)
- IEEE 1202/383 (70,000 BTU/hr), Vertical Flame Test rated (optional)
- ICEA T-30-520 (70,000 BTU/hr), Vertical Flame Test rated
- XLPE (RHW-2 rated), 90°C wet/dry
- UV sunlight resistant "SUN RES" (all colors)
- Direct burial rated
- -40°C cold bend rated
- Rated for use in hazardous locations:
 - Class I Zone 2 (Div 2)
 - Class II Zone 22 (Div 2)

2000 V

Voltage

Color Coding

- Method K1 & K2 (standard)
- Method 4 (optional)

UL Type TC-ER

Control

UL Type TC Tray Control, Multi-Conductor, 2000 V

PART NUMBER	NUMBER OF CONDUCTORS	CONDUCTOR SIZE	NOMINAL DIAMETER OVERALL CABLE	CABLE WEIGHT	AMPACITY	MAX PULLING TENSION (PULLING EYE)	MIN BEND RADIUS (PULL)
		(AWG/kcmil)	(in/mm)	(lbs/1000ft) (kg/km)	(30°C ambient)	(lb/kg)	(in/mm)
2K010U140200300	2	14	0.492 / 12.5	111 / 165	25	66 / 30	4.4 / 112
2K010U140300300	3	14	0.521 / 13.2	137 / 204	25	99 / 45	4.7 / 119
2K010U140400300	4	14	0.601 / 15.3	188 / 280	20	132 / 60	5.4 / 137
2K010U140500300	5	14	0.657 / 16.7	227 / 338	20	165 / 75	5.9 / 150
2K010U140600300	6	14	0.715 / 18.2	261 / 388	20	197 / 90	6.4 / 163
2K010U140300300	7	14	0.715 / 18.5	282 / 420	17.5	230 / 104	6.4 / 163
2K010U140800300	8	14	0.773 / 19.6	315 / 469	17.5	263 / 119	7 / 177
2K010U141000300	10	14	0.948 / 24.1	428 / 637	12.5	329 / 149	8.5 / 217
2K010U141200300	12	14	0.977 / 24.8	483 / 719	12.5	395 / 179	8.8 / 223
2K010U141400300	14	14	1.027 / 26.1	548 / 815	12.5	461 / 209	9.2 / 235
2K010U141500300	15	14	1.054 / 26.8	580 / 863	12.5	494 / 224	9.5 / 241
2K010U142000300	20	14	1.199 / 30.5	747 / 1111	12.5	658 / 298	10.8 / 274
2K010U142500300	25	14	1.334 / 33.9	908 / 1351	11.25	823 / 373	12 / 305
2K010U143000300	30	14	1.413 / 35.9	1048 / 1559	11.25	987 / 448	12.7 / 323
2K010U144000300	40	14	1.585 / 40.3	1344 / 2000	10	1316 / 597	14.3 / 362
2K010U145000300	50	14	1.826 / 46.4	1756 / 2613	8.75	1645 / 746	16.4 / 417
2K010U120200300	2	12	0.528 / 13.4	136 / 202	30	104 / 47	4.8 / 121
2K010U120300300	3	12	0.590 / 15.0	189 / 282	30	157 / 71	5.3 / 135
2K010U120400300	4	12	0.645 / 16.4	235 / 349	24	209 / 95	5.8 / 147
2K010U120500300	5	12	0.706 / 17.9	282 / 420	24	261 / 118	6.4 / 161
2K010U120600300	6	12	0.769 / 19.5	334 / 497	24	313 / 142	6.9 / 176
2K010U120700300	7	12	0.769 / 19.5	364 / 541	21	365 / 166	6.9 / 176
2K010U120800300	8	12	0.832 / 21.1	401 / 596	21	418 / 189	7.5 / 190
2K010U121000300	10	12	1.020 / 25.9	538 / 801	15	522 / 237	9.2 / 233
2K010U121200300	12	12	1.052 / 26.7	615 / 915	15	626 / 284	9.5 / 240
2K010U121400300	14	12	1.106 / 28.1	699 / 1040	15	731 / 331	10 / 253
2K010U121500300	15	12	1.136 / 28.9	741 / 1102	15	783 / 355	10.2 / 260
2K010U122000300	20	12	1.294 / 32.9	957 / 1425	15	1044 / 474	11.6 / 296
2K010U122500300	25	12	1.442 / 36.6	1170 / 1741	13.5	1305 / 592	13 / 330
2K010U123000300	30	12	1.529 / 38.8	1358 / 2021	13.5	1566 / 710	13.8 / 349
2K010U124000300	40	12	1.776 / 45.1	1853 / 2757	12	2088 / 947	16 / 406
2K010U125000300	50	12	1.975 / 50.2	2272 / 3381	10.5	2610 / 1184	17.8 / 451

*Ampacity value based on National Electrical Code, Version 2020, Table 310.16. Values are corrected according to Table 310.15(C)(1) for number of Conductors.

UL Type TC Tray Control, Multi-Conductor, 2000 V

PART NUMBER	NUMBER OF CONDUCTORS	CONDUCTOR SIZE	NOMINAL DIAMETER OVERALL CABLE	CABLE WEIGHT	AMPACITY	MAX PULLING TENSION (PULLING EYE)	MIN BEND RADIUS (PULL)
		(AWG/kcmil)	(in/mm)	(lbs/1000ft) (kg/km)	(30°C ambient)	(lb/kg)	(in/mm)
2K010U100200300	2	10	0.608 / 15.4	191 / 284	40	166 / 75	5.5 / 139
2K010U100300300	3	10	0.643 / 16.3	244 / 363	40	249 / 113	5.8 / 147
2K010U100400300	4	10	0.705 / 17.9	305 / 453	32	332 / 151	6.3 / 161
2K010U100500300	5	10	0.773 / 19.6	369 / 549	32	415 / 188	7 / 177
2K010U100600300	6	10	0.844 / 21.4	434 / 646	32	498 / 226	7.6 / 193
2K010U100700300	7	10	0.844 / 21.4	477 / 711	28	581 / 264	7.6 / 193
2K010U100800300	8	10	0.955 / 24.3	569 / 847	28	664 / 301	8.6 / 218
2K010U101000300	10	10	1.120 / 28.5	708 / 1053	20	830 / 376	10.1 / 256
2K010U101200300	12	10	1.155 / 29.4	814 / 1211	20	996 / 452	10.4 / 264
2K010U101400300	14	10	1.217 / 30.9	930 / 1384	20	1162 / 527	11 / 278
2K010U101500300	15	10	1.250 / 31.7	987 / 1469	20	1245 / 565	11.2 / 286
2K010U102000300	20	10	1.427 / 36.2	1284 / 1911	20	1660 / 753	12.8 / 326
2K010U102500300	25	10	1.592 / 40.4	1573 / 2341	18	2075 / 941	14.3 / 364
2K010U103000300	30	10	1.689 / 42.9	1837 / 2733	18	2490 / 1129	15.2 / 386
2K010U104000300	40	10	1.959 / 49.8	2492 / 3709	16	3320 / 1506	17.6 / 448

*Ampacity value based on National Electrical Code, Version 2020, Table 310.16. Values are corrected according to Table 310.15(C)(1) for number of Conductors.

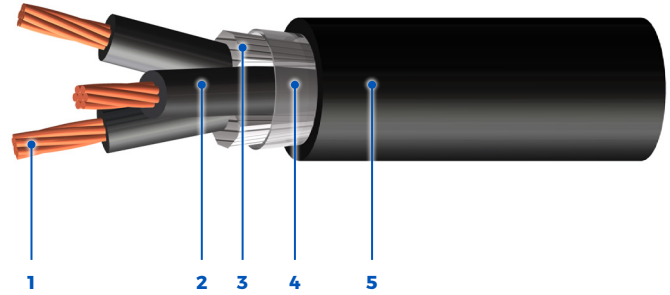
UL Type TC Tray Power, Multi-Conductor, 2000 V

Tray Power cables are suitable for use in ventilated, non-ventilated and ladder type cable trays, direct burial, raceways and for exposed or concealed wiring in wet, damp or dry locations in -40°C (-40°F) environments. Applicable for use in Utilities, Industrial and Commercial applications.

Standards:



TC-ER



- 1 - Strand Bare (ASTM B8) Annealed Copper Conductors
- 2 - FR XLPE (RHW-2 Rated) Insulated Conductors
- 3 - Polypropylene Fillers

- 4 - Polyester Separator Tape
- 5 - FR PVC Outer Protective Jacket

Product Construction

Insulation:

- FR XLPE (RHW-2 rated) rated: 90°C wet/dry

Jacket:

- FR PVC outer black jacket rated: 90°C to -40°C
- Thermoset CPE (optional)
- Thermoplastic CPE (optional)
- Thermoplastic LSZH (optional)

Available in:

- Custom insulation/jacket colors
- Composite constructions

Certification/Compliances

- UL 1277, Tray Cable (TC -ER)
- UL 44, Thermoset Insulated Wires and Cables
- UL 1685/FT4, Vertical Tray Flame Test rated (optional)
- IEEE 1202/383 (70,000 BTU/hr), Vertical Flame Test rated (optional)
- ICEA T-30-520 (70,000 BTU/hr), Vertical Flame Test rated
- XLPE (RHW-2 rated), 90°C wet/dry
- UV sunlight resistant "SUN RES" (all colors)
- Direct burial rated
- -40°C cold bend rated
- Rated for use in hazardous locations:
 - Class I Zone 2 (Div 2)
 - Class II Zone 22 (Div 2)

2000 V

Voltage

UL Type TC-ER

Power

Color Coding

- Black conductors (standard)
- Method K1 or K2 (optional)
- Method 4 (optional)

UL Type TC Tray Power, Multi-Conductor, 2000 V

PART NUMBER	NUMBER OF CONDUCTORS	CONDUCTOR SIZE	NOMINAL DIAMETER OVERALL CABLE	CABLE WEIGHT	AMPACITY	MAX PULLING TENSION (PULLING EYE)	MIN BEND RADIUS (PULL)
		(AWG/kcmil)	(in/mm)	(lbs/1000ft) (kg/km)	(30°C ambient)	(lb/kg)	(in/mm)
2K010U140200300	2	14	0.492 / 12.5	111 / 165	25	66 / 30	4.4 / 112
2K010U120200300	2	12	0.528 / 13.4	136 / 202	30	104 / 47	4.8 / 121
2K010U100200300	2	10	0.608 / 15.4	191 / 284	40	166 / 75	5.5 / 139
2K010U080200300	2	8	0.706 / 17.9	261 / 388	55	265 / 120	6.4 / 161
2K010U060200300	2	6	0.784 / 19.9	346 / 516	75	419 / 190	7.1 / 179
2K010U040200300	2	4	0.918 / 23.3	513 / 764	95	668 / 303	8.3 / 210
2K010U030200300	2	3	0.972 / 24.7	608 / 904	115	842 / 382	8.7 / 222
2K010U020200300	2	2	1.034 / 26.3	718 / 1069	130	1062 / 482	9.3 / 236
2K010U010240300	2	1	1.192 / 30.3	915 / 1362	145	1339 / 607	10.7 / 272
2K010U1/0240300	2	1/0	1.272 / 32.3	1100 / 1637	170	1690 / 766	11.4 / 291
2K010U2/0240300	2	2/0	1.358 / 34.5	1321 / 1966	195	2130 / 966	12.2 / 310
2K010U3/0240300	2	3/0	1.460 / 37.1	1594 / 2372	225	2671 / 1212	13.1 / 334
2K010U4/0240300	2	4/0	1.572 / 39.9	1932 / 2876	260	3386 / 1536	14.1 / 359
2K010U250260300	2	250	1.784 / 45.3	2366 / 3520	290	4000 / 1814	16.1 / 408
2K010U300260300	2	300	1.890 / 48.0	2754 / 4099	320	4800 / 2177	17 / 432
2K010U350260300	2	350	1.990 / 50.6	3138 / 4670	350	5600 / 2540	17.9 / 455
2K010U500260300	2	500	2.246 / 57.1	4259 / 6338	430	8000 / 3629	20.2 / 513
2K010U140300300	3	14	0.521 / 13.2	137 / 204	25	99 / 45	4.7 / 119
2K010U120300300	3	12	0.590 / 15.0	189 / 282	30	157 / 71	5.3 / 135
2K010U100300300	3	10	0.643 / 16.3	244 / 363	40	249 / 113	5.8 / 147
2K010U080300300	3	8	0.749 / 19.0	339 / 505	55	397 / 180	6.7 / 171
2K010U060300300	3	6	0.832 / 21.1	458 / 682	75	629 / 285	7.5 / 190
2K010U040300300	3	4	0.973 / 24.7	680 / 1012	95	1002 / 454	8.8 / 223
2K010U030300300	3	3	1.031 / 26.2	811 / 1207	115	1263 / 573	9.3 / 236
2K010U020300300	3	2	1.098 / 27.9	972 / 1446	130	1593 / 723	9.9 / 251
2K010U010340300	3	1	1.268 / 32.2	1235 / 1838	145	2009 / 911	11.4 / 290
2K010U1/0340300	3	1/0	1.354 / 34.4	1491 / 2219	170	2534 / 1150	12.2 / 310
2K010U2/0340300	3	2/0	1.446 / 36.7	1803 / 2684	195	3194 / 1449	13 / 331
2K010U3/0340300	3	3/0	1.556 / 39.5	2191 / 3261	225	4007 / 1818	14 / 356
2K010U4/0340300	3	4/0	1.676 / 42.6	2677 / 3984	260	5078 / 2304	15.1 / 383
2K010U250360300	3	250	1.900 / 48.3	3248 / 4833	290	6000 / 2722	17.1 / 434
2K010U300360300	3	300	2.014 / 51.2	3793 / 5645	320	7200 / 3266	18.1 / 460
2K010U350360300	3	350	2.121 / 53.9	4338 / 6456	350	8400 / 3810	19.1 / 485
2K010U500360300	3	500	2.396 / 60.9	5944 / 8846	430	12000 / 5443	21.6 / 548

*Ampacity value based on National Electrical Code, Version 2020, Table 310.16. Values are corrected according to Table 310.15(C)(1) for number of Conductors. Per NEC 310.15(C)(1), the ampacity of 4/C cable shall be reduced by a factor of 0.8 when the neutral is considered a current-carrying conductor.

UL Type TC Tray Power, Multi-Conductor, 2000 V

PART NUMBER	NUMBER OF CONDUCTORS	CONDUCTOR SIZE	NOMINAL DIAMETER OVERALL CABLE	CABLE WEIGHT	AMPACITY	MAX PULLING TENSION (PULLING EYE)	MIN BEND RADIUS (PULL)
		(AWG/kcmil)	(in/mm)	(lbs/1000ft) (kg/km)	(30°C ambient)	(lb/kg)	(in/mm)
2K010U750360300	3	750	2.906 / 73.8	8860 / 13185	535	18000 / 8165	26.2 / 664
2K010U140400300	4	14	0.601 / 15.3	188 / 280	20	132 / 60	5.4 / 137
2K010U120400300	4	12	0.645 / 16.4	235 / 349	24	209 / 95	5.8 / 147
2K010U100400300	4	10	0.705 / 17.9	306 / 456	32	332 / 151	6.3 / 161
2K010U080400300	4	8	0.823 / 20.9	427 / 636	44	529 / 240	7.4 / 188
2K010U060400300	4	6	0.956 / 24.3	617 / 917	60	839 / 380	8.6 / 219
2K010U040400300	4	4	1.069 / 27.2	869 / 1293	76	1336 / 606	9.6 / 244
2K010U030400300	4	3	1.134 / 28.8	1032 / 1535	92	1684 / 764	10.2 / 259
2K010U020400300	4	2	1.209 / 30.7	1246 / 1854	104	2124 / 964	10.9 / 276
2K010U010440300	4	1	1.399 / 35.5	1592 / 2369	116	2678 / 1215	12.6 / 320
2K010U1/0440300	4	1/0	1.496 / 38.0	1925 / 2864	136	3379 / 1533	13.5 / 342
2K010U2/0440300	4	2/0	1.600 / 40.6	2340 / 3483	156	4259 / 1932	14.4 / 366
2K010U3/0440300	4	3/0	1.782 / 45.3	2947 / 4385	180	5343 / 2423	16 / 407
2K010U4/0440300	4	4/0	1.917 / 48.7	3597 / 5352	208	6771 / 3071	17.3 / 438
2K010U250460300	4	250	2.100 / 53.4	4207 / 6261	232	8000 / 3629	18.9 / 480
2K010U300460300	4	300	2.228 / 56.6	4933 / 7342	256	9600 / 4355	20.1 / 509
2K010U350460300	4	350	2.349 / 59.7	5649 / 8407	280	11200 / 5080	21.1 / 537
2K010U500460300	4	500	2.657 / 67.5	7759 / 11547	344	16000 / 7258	23.9 / 607

*Ampacity value based on National Electrical Code, Version 2020, Table 310.16. Values are corrected according to Table 310.15(C)(1) for number of Conductors. Per NEC 310.15(C)(1), the ampacity of 4/C cable shall be reduced by a factor of 0.8 when the neutral is considered a current-carrying conductor.

METAL CLAD

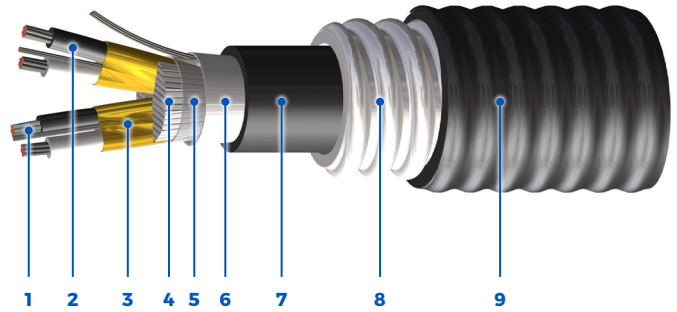
PROVIDING ALUMINUM INTERLOCKED ARMOR (AIA) AND STEEL INTERLOCKED ARMOR (SIA) TYPE MC CABLE FOR HARSH ENVIRONMENTS

Our prefabricated electrical assembly offers fewer installation steps, dramatically reducing installation time and cost. Eliminate the use of costly conduit or burial piping. Ready to install as soon as it arrives to the jobsite, instead of separately shipping and assembling traditional conduit and cables. Interlocked armor provides great flexibility during the installation and offers great impact and abrasion resistant during the transportation and installation, ensure your cables never get crushed or damaged.

- METAL CLAD..... 42-63**
- UL Type MC Armored Instrumentation, 600V.....43
- UL Type MC Armored Control, Multi-Conductor, 600/1000V.....46
- UL Type MC Armored Power, Multi-Conductor, 600/1000V49
- UL Type MC Armored Control, Multi-Conductor, 2000V.....52
- UL Type MC Armored Power, Multi-Conductor, 2000V55
- UL Type MC Armored Power, Single Conductor, 600/1000V58
- UL Type MC Armored Power, Single Conductor, 2000V60
- UL Type MC Riser Armored Mineshaft Cables, 2000V62

UL Type MC Armored Instrumentation, 600 V

Metal Clad Armored Instrumentation cables can be used to minimize noise and signal interference by preventing crosstalk between pairs and triads. This cable can also be used to convey analog or digital signals.



- | | |
|--|---|
| 1 – Stranded Bare Copper Conductors (Tin-coated Available) | 6 – Overall Aluminum/Mylar Shield with Tin-coated Copper Drain Wire |
| 2 – FR XLPE (XHHW-2 Rated) Insulated Conductors | 7 – FR PVC Inner Protective Jacket |
| 3 – Individual Shield & Overall Shielded Pairs/Triads | 8 – Aluminum Interlocked Armor (AIA) |
| 4 – Polypropylene Fillers | 9 – FR PVC Outer Protective Jacket |
| 5 – Polyester Separator Tape | |

Standards:



Product Construction

Insulation:

- FR XLPE (XHHW-2 rated) rated: 90°C wet/dry
- VW-1 rated (optional)

Armor:

- Aluminum Interlocked Armor (AIA) (standard)
- Steel Interlocked Armor (SIA) (optional)

Jacket:

- FR PVC outer black jacket rated: 90°C to -40°C
- Thermoset CPE (optional)
- Thermoplastic CPE (optional)
- Thermoplastic LSZH (optional)

Available in:

- Custom insulation/jacket colors
- Composite constructions

Certification/Compliances

- UL 1569, Metal Clad Cables (MC)
- UL 44, Thermoset Insulated Wires and Cables
- UL 1685/FT4, Vertical Tray Flame Test rated (optional)
- IEEE 1202/383 (70,000 BTU/hr), Vertical Flame Test rated (optional)
- ICEA T-30-520 (70,000 BTU/hr), Vertical Flame Test rated
- XLPE (XHHW-2 rated), 90°C wet/dry
- UV sunlight resistant "SUN RES" (all colors) (for CT use)
- Direct burial rated
- -40°C cold bend rated
- Rated for use in hazardous locations:
 - Class I Zone 2 (Div 2)
 - Class II Zone 22 (Div 2)

600 V Voltage

Color Coding

- Black conductors (standard)
- Method K1 or K2 (optional)
- Method 4 (optional)

UL Type MC Instrumentation

UL Type MC Armored Instrumentation, 600 V

Pairs

PART NUMBER	NUMBER OF PAIRS	CONDUCTOR SIZE (AWG/kcmil)	OD OVER JACKET (in/mm)	NORMAL DIAMETERS		CABLE WEIGHT (lbs/1000ft) (kg/km)	MAX PULLING TENSION (PULLING EYE) (lb/kg)	MIN BEND RADIUS (PULL) (in/mm)
				OVER ARMOR (in/mm)	OVERALL CABLE (in/mm)			
2C621U160100300	1	16	0.337 / 8.6	0.577 / 14.7	0.689 / 17.5	194 / 288	41 / 19	12.4 / 315
2C622U160200300	2	16	0.504 / 12.8	0.744 / 18.9	0.856 / 21.8	300 / 446	82 / 37	15.4 / 392
2C622U160400300	4	16	0.627 / 15.9	0.866 / 22.0	0.978 / 24.9	401 / 597	165 / 75	17.6 / 447
2C622U160600300	6	16	0.736 / 18.7	0.976 / 24.8	1.088 / 27.6	511 / 761	247 / 112	19.6 / 498
2C622U160800300	8	16	0.865 / 22.0	1.069 / 27.2	1.181 / 30.0	612 / 911	330 / 150	21.3 / 540
2C622U161200300	12	16	0.982 / 24.9	1.186 / 30.1	1.298 / 33.0	783 / 1166	494 / 224	23.4 / 593
2C622U161600300	16	16	1.100 / 27.9	1.304 / 33.1	1.416 / 36.0	946 / 1408	659 / 299	25.5 / 647
2C622U162400300	24	16	1.378 / 35.0	1.582 / 40.2	1.714 / 43.6	1342 / 1997	989 / 449	30.9 / 784
2C622U163600300	36	16	1.597 / 40.6	1.801 / 45.8	1.933 / 49.1	1800 / 2679	1483 / 673	34.8 / 884
2C621U180100300	1	18	0.313 / 8.0	0.553 / 14.1	0.665 / 16.9	176 / 261	26 / 12	12 / 304
2C622U180200300	2	18	0.465 / 11.8	0.705 / 17.9	0.817 / 20.7	263 / 392	52 / 24	14.7 / 373
2C622U180400300	4	18	0.577 / 14.7	0.817 / 20.8	0.929 / 23.6	343 / 511	104 / 47	16.7 / 425
2C622U180600300	6	18	0.676 / 17.2	0.916 / 23.3	1.028 / 26.1	428 / 638	156 / 71	18.5 / 470
2C622U180800300	8	18	0.792 / 20.1	0.996 / 25.3	1.108 / 28.1	505 / 752	208 / 94	19.9 / 507
2C622U181200300	12	18	0.897 / 22.8	1.101 / 28.0	1.213 / 30.8	631 / 939	312 / 142	21.8 / 555
2C622U181800300	18	18	1.062 / 27.0	1.266 / 32.2	1.378 / 35.0	821 / 1222	468 / 212	24.8 / 630
2C622U182400300	24	18	1.255 / 31.9	1.459 / 37.1	1.571 / 39.9	1024 / 1525	624 / 283	28.3 / 718
2C622U183600300	36	18	1.452 / 36.9	1.656 / 42.1	1.788 / 45.4	1387 / 2064	936 / 425	32.2 / 818

UL Type MC Armored Instrumentation, 600 V

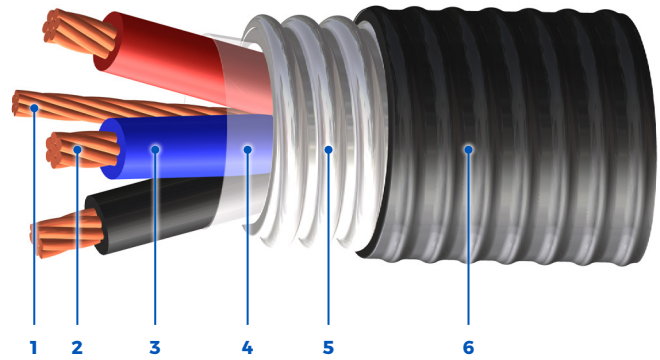
Triads

PART NUMBER	NUMBER OF TRIADS	CONDUCTOR SIZE (AWG/kcmil)	OD OVER JACKET (in/mm)	NORMAL DIAMETERS		CABLE WEIGHT (lbs/1000ft) (kg/km)	MAX PULLING TENSION (PULLING EYE) (lb/kg)	MIN BEND RADIUS (PULL) (in/mm)
				OVER ARMOR (in/mm)	OVERALL CABLE (in/mm)			
2C631U160100300	1	16	0.355 / 9.0	0.595 / 15.1	0.707 / 18.0	212 / 316	62 / 28	12.7 / 323
2C632U160200300	2	16	0.595 / 15.1	0.835 / 21.2	0.947 / 24.1	369 / 549	124 / 56	17 / 433
2C632U160400300	4	16	0.715 / 18.2	0.955 / 24.3	1.067 / 27.1	483 / 719	247 / 112	19.2 / 488
2C632U160600300	6	16	0.843 / 21.4	1.047 / 26.6	1.159 / 29.4	620 / 923	371 / 168	20.9 / 530
2C632U160800300	8	16	0.993 / 25.2	1.197 / 30.4	1.309 / 33.3	761 / 1132	494 / 224	23.6 / 599
2C632U161200300	12	16	1.128 / 28.7	1.332 / 33.8	1.444 / 36.7	989 / 1471	742 / 336	26 / 660
2C632U161600300	16	16	1.266 / 32.2	1.470 / 37.4	1.582 / 40.2	1207 / 1796	989 / 449	28.5 / 723
2C632U162400300	24	16	1.591 / 40.4	1.795 / 45.6	1.927 / 49.0	1727 / 2570	1483 / 673	34.7 / 881
2C631U180100300	1	18	0.329 / 8.4	0.569 / 14.5	0.681 / 17.3	189 / 282	39 / 18	12.3 / 311
2C632U180200300	2	18	0.548 / 13.9	0.788 / 20.1	0.900 / 22.9	322 / 479	78 / 35	16.2 / 412
2C632U180400300	4	18	0.656 / 16.7	0.896 / 22.8	1.008 / 25.6	409 / 609	156 / 71	18.1 / 461
2C632U180600300	6	18	0.771 / 19.6	0.991 / 25.2	1.103 / 28.0	516 / 768	234 / 106	19.9 / 504
2C632U180800300	8	18	0.907 / 23.0	1.111 / 28.2	1.222 / 31.1	622 / 925	312 / 142	22 / 559
2C632U181200300	12	18	1.029 / 26.1	1.233 / 31.3	1.345 / 34.2	796 / 1185	468 / 212	24.2 / 615
2C632U181800300	18	18	1.221 / 31.0	1.425 / 36.2	1.537 / 39.0	1046 / 1557	702 / 318	27.7 / 703
2C632U182400300	24	18	1.446 / 36.7	1.649 / 41.9	1.781 / 45.3	1352 / 2011	936 / 425	32.1 / 814

UL Type MC Armored Control, Multi-Conductor, 600/1000 V

Metal Clad AIA Control cables are suitable for use in ventilated, non-ventilated and ladder type cable trays, direct burial, raceways and for exposed or concealed wiring in wet, damp or dry locations in -40°C (-40°F) environments. Applicable for use in Utilities, Industrial and Commercial applications.

Standards:



- 1 - Grounding/Bonding Conductor
- 2 - Strand Bare (ASTM B8) Annealed Copper Conductors
- 3 - FR XLPE (XHHW-2 Rated) Insulated Conductors

- 4 - Polyester Separator Tape
- 5 - Aluminum Interlocked Armor (AIA)
- 6 - FR PVC Outer Protective Black Jacket

Product Construction

Insulation:

- FR XLPE (XHHW-2 rated) rated: 90°C wet/dry
- VW-1 rated (optional)

Armor:

- Aluminum Interlocked Armor (AIA) (standard)
- Steel Interlocked Armor (SIA) (optional)

Jacket:

- FR PVC outer black jacket rated: 90°C to -40°C
- Thermoset CPE (optional)
- Thermoplastic CPE (optional)
- Thermoplastic LSZH (optional)

Available in:

- Custom insulation/ jacket colors
- Composite constructions
- Inner jacket (optional)

Certification/Compliances

- UL 1569, Metal Clad Cables (MC)
- UL 44, Thermoset Insulated Wires and Cables
- UL 1685/FT4, Vertical Tray Flame Test rated (optional)
- IEEE 1202/383 (70,000 BTU/hr), Vertical Flame Test rated (optional)
- ICEA T-30-520 (70,000 BTU/hr), Vertical Flame Test rated
- XLPE (XHHW-2 rated), 90°C wet/dry
- UV sunlight resistant "SUN RES" (all colors) (for CT use)
- Direct burial rated
- -40°C cold bend rated
- Rated for use in hazardous locations:
 - Class I Zone 2 (Div 2)
 - Class II Zone 22 (Div 2)

600/1000 V

Voltage (1000 V optional)

Color Coding

- Method K1 or K2 (standard)
- Method 4 (optional)

UL Type MC

Control

UL Type MC Armored Control, Multi-Conductor, 600/1000 V

PART NUMBER	NUMBER OF CONDUCTORS	CONDUCTOR SIZE (AWG/kcmil)	GROUND WIRE SIZE (AWG/kcmil)	NORMAL DIAMETERS		CABLE WEIGHT (lbs/1000ft) (kg/km)	AMPACITY (30°C ambient)	MAX PULLING TENSION (PULLING EYE) (lb/kg)	MIN BEND RADIUS (PULL) (in/mm)
				OVER ARMOR (in/mm)	OVERALL CABLE (in/mm)				
2C610U140200309	2	14	14	0.510 / 13.0	0.622 / 15.8	172 / 256	25	66 / 30	11.2 / 284
2C610U140300309	3	14	14	0.541 / 13.7	0.653 / 16.6	192 / 285	25	99 / 45	11.7 / 298
2C610U140400309	4	14	14	0.574 / 14.6	0.686 / 17.4	217 / 323	20	132 / 60	12.3 / 314
2C610U140500309	5	14	14	0.603 / 15.3	0.715 / 18.2	242 / 361	20	165 / 75	12.9 / 327
2C610U140600309	6	14	14	0.643 / 16.3	0.755 / 19.2	271 / 404	20	197 / 90	13.6 / 345
2C610U140700309	7	14	14	0.683 / 17.4	0.795 / 20.2	301 / 447	17.5	230 / 104	14.3 / 363
2C610U140800309	8	14	14	0.724 / 18.4	0.836 / 21.2	330 / 492	17.5	263 / 119	15 / 382
2C610U141000309	10	14	14	0.776 / 19.7	0.888 / 22.6	375 / 558	12.5	329 / 149	16 / 406
2C610U141200309	12	14	14	0.796 / 20.2	0.908 / 23.1	412 / 613	12.5	395 / 179	16.3 / 415
2C610U141400309	14	14	14	0.831 / 21.1	0.942 / 23.9	457 / 681	12.5	461 / 209	17 / 431
2C610U141500309	15	14	14	0.849 / 21.6	0.961 / 24.4	479 / 713	12.5	494 / 224	17.3 / 439
2C610U142000309	20	14	14	0.949 / 24.1	1.061 / 27.0	590 / 879	12.5	658 / 298	19.1 / 485
2C610U142500309	25	14	14	1.006 / 25.6	1.118 / 28.4	696 / 1036	11.25	823 / 373	20.1 / 511
2C610U143000309	30	14	14	1.060 / 26.9	1.173 / 29.8	792 / 1178	11.25	987 / 448	21.1 / 536
2C610U144000309	40	14	14	1.179 / 29.9	1.291 / 32.8	997 / 1484	10	1316 / 597	23.2 / 590
2C610U145000309	50	14	14	1.304 / 33.1	1.416 / 36.0	1198 / 1783	8.75	1645 / 746	25.5 / 647
2C610U120200309	2	12	12	0.546 / 13.9	0.658 / 16.7	206 / 306	30	104 / 47	11.8 / 301
2C610U120300309	3	12	12	0.581 / 14.8	0.693 / 17.6	234 / 348	30	157 / 71	12.5 / 317
2C610U120400309	4	12	12	0.618 / 15.7	0.730 / 18.6	269 / 400	24	209 / 95	13.1 / 334
2C610U120500309	5	12	12	0.652 / 16.6	0.764 / 19.4	304 / 453	24	261 / 118	13.7 / 349
2C610U120600309	6	12	12	0.697 / 17.7	0.809 / 20.6	344 / 511	24	313 / 142	14.6 / 370
2C610U120700309	7	12	12	0.742 / 18.9	0.854 / 21.7	382 / 569	21	365 / 166	15.4 / 391
2C610U120800309	8	12	12	0.789 / 20.0	0.901 / 22.9	423 / 630	21	418 / 189	16.2 / 412
2C610U121000309	10	12	12	0.848 / 21.5	0.960 / 24.4	486 / 723	15	522 / 237	17.3 / 439
2C610U121200309	12	12	12	0.871 / 22.1	0.983 / 25.0	541 / 805	15	626 / 284	17.7 / 449
2C610U121400309	14	12	12	0.910 / 23.1	1.022 / 26.0	602 / 896	15	731 / 331	18.4 / 467
2C610U121500309	15	12	12	0.931 / 23.7	1.043 / 26.5	633 / 942	15	783 / 355	18.8 / 477
2C610U122000309	20	12	12	1.008 / 25.6	1.120 / 28.5	784 / 1166	15	1044 / 474	20.2 / 512
2C610U122500309	25	12	12	1.114 / 28.3	1.226 / 31.1	944 / 1404	13.5	1305 / 592	22.1 / 561
2C610U123000309	30	12	12	1.176 / 29.9	1.288 / 32.7	1081 / 1608	13.5	1566 / 710	23.2 / 589
2C610U124000309	40	12	12	1.310 / 33.3	1.422 / 36.1	1375 / 2047	12	2088 / 947	25.6 / 650
2C610U125000309	50	12	12	1.452 / 36.9	1.564 / 39.7	1664 / 2476	10.5	2610 / 1184	28.2 / 715

*Ampacity value based on National Electrical Code, Version 2020, Table 310.16. Values are corrected according to Table 310.15(C)(1) for number of Conductors.

UL Type MC Armored Control, Multi-Conductor, 600/1000 V

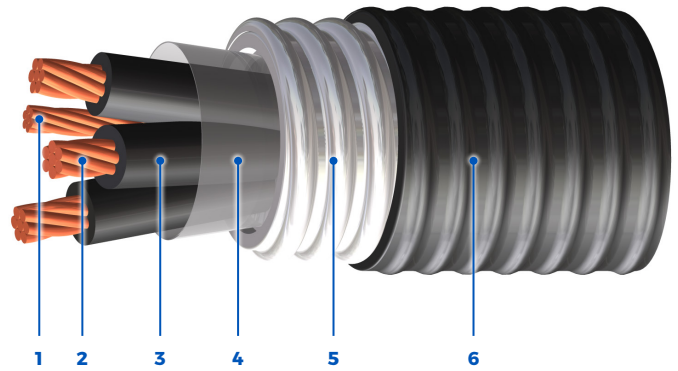
PART NUMBER	NUMBER OF CONDUCTORS	CONDUCTOR SIZE	GROUND WIRE SIZE	NORMAL DIAMETERS		CABLE WEIGHT	AMPACITY	MAX PULLING TENSION (PULLING EYE)	MIN BEND RADIUS (PULL)
				OVER ARMOR	OVERALL CABLE				
		(AWG/kcmil)	(AWG/kcmil)	(in/mm)	(in/mm)	(lbs/1000ft) (kg/km)	(30°C ambient)	(lb/kg)	(in/mm)
2C610U100200309	2	10	10	0.596 / 15.1	0.708 / 18.0	258 / 383	40	166 / 75	12.7 / 324
2C610U100300309	3	10	10	0.637 / 16.2	0.748 / 19.0	304 / 453	40	249 / 113	13.5 / 342
2C610U100400309	4	10	10	0.680 / 17.3	0.792 / 20.1	349 / 520	32	332 / 151	14.3 / 362
2C610U100500309	5	10	10	0.719 / 18.3	0.831 / 21.1	398 / 593	32	415 / 188	15 / 380
2C610U100600309	6	10	10	0.772 / 19.6	0.884 / 22.5	454 / 675	32	498 / 226	15.9 / 404
2C610U100700309	7	10	10	0.825 / 21.0	0.937 / 23.8	509 / 757	28	581 / 264	16.9 / 428
2C610U100800309	8	10	10	0.879 / 22.3	0.991 / 25.2	567 / 843	28	664 / 301	17.8 / 453
2C610U101000309	10	10	10	0.948 / 24.1	1.060 / 26.9	655 / 975	20	830 / 376	19.1 / 485
2C610U101200309	12	10	10	0.974 / 24.8	1.086 / 27.6	738 / 1098	20	996 / 452	19.6 / 497
2C610U101400309	14	10	10	0.984 / 25.0	1.096 / 27.8	823 / 1225	20	1162 / 527	19.7 / 501
2C610U101500309	15	10	10	1.009 / 25.6	1.121 / 28.5	868 / 1291	20	1245 / 565	20.2 / 512
2C610U102000309	20	10	10	1.141 / 29.0	1.253 / 31.8	1094 / 1628	20	1660 / 753	22.6 / 573
2C610U102500309	25	10	10	1.264 / 32.1	1.376 / 35.0	1325 / 1972	18	2075 / 941	24.8 / 629
2C610U103000309	30	10	10	1.336 / 33.9	1.448 / 36.8	1532 / 2279	18	2490 / 1129	26.1 / 662
2C610U104000309	40	10	10	1.493 / 37.9	1.605 / 40.8	1964 / 2923	16	3320 / 1506	28.9 / 734
2C610U105000309	50	10	10	1.658 / 42.1	1.790 / 45.5	2424 / 3607	14	4150 / 1882	32.2 / 819

*Ampacity value based on National Electrical Code, Version 2020, Table 310.16. Values are corrected according to Table 310.15(C)(1) for number of Conductors.

UL Type MC Armored Power, Multi-Conductor, 600/1000 V

Metal Clad AIA Power cables are suitable for use in ventilated, non-ventilated and ladder type cable trays, direct burial, raceways and for exposed or concealed wiring in wet, damp or dry locations in -40°C (40°F) environments. Applicable for use in Utilities, Industrial and Commercial applications.

Standards:



- 1 - Grounding/Bonding Conductor
- 2 - Strand Bare (ASTM B8) Annealed Copper Conductors
- 3 - FR XLPE (XHHW-2 Rated) Insulated Conductors

- 4 - Polyester Separator Tape
- 5 - Aluminum Interlocked Armor (AIA)
- 6 - FR PVC Outer Protective Black Jacket

Product Construction

Insulation:

- FR XLPE (XHHW-2 rated) rated: 90°C wet/dry
- VW-1 rated (optional)

Armor:

- Aluminum Interlocked Armor (AIA) (standard)
- Steel Interlocked Armor (SIA) (optional)

Jacket:

- FR PVC outer black jacket rated: 90°C to -40°C
- Thermoset CPE (optional)
- Thermoplastic CPE (optional)
- Thermoplastic LSZH (optional)

Available in:

- Custom insulation/jacket colors
- Composite constructions
- Inner jacket (optional)

Certification/Compliances

- UL 1569, Metal Clad Cables (MC)
- UL 44, Thermoset Insulated Wires and Cables
- UL 1685/FT4, Vertical Tray Flame Test rated (optional)
- IEEE 1202/383 (70,000 BTU/hr), Vertical Flame Test rated (optional)
- ICEA T-30-520 (70,000 BTU/hr), Vertical Flame Test rated
- XLPE (XHHW-2 rated), 90°C wet/dry
- UV sunlight resistant "SUN RES" (all colors) (for CT use)
- Direct burial rated
- -40°C cold bend rated
- Rated for use in hazardous locations:
 - Class I Zone 2 (Div 2)
 - Class II Zone 22 (Div 2)

600/1000 V

Voltage (1000 V optional)

Color Coding

- Black conductors (standard)
- Method K1 or K2 (optional)
- Method 4 (optional)

UL Type MC

Power

UL Type MC Armored Power, Multi-Conductor, 600/1000 V

PART NUMBER	NUMBER OF CONDUCTORS	CONDUCTOR SIZE	GROUND WIRE SIZE	NORMAL DIAMETERS		CABLE WEIGHT	AMPACITY	MAX PULLING TENSION (PULLING EYE)	MIN BEND RADIUS (PULL)
				OVER ARMOR	OVERALL CABLE				
		(AWG/kcmil)	(AWG/kcmil)	(in/mm)	(in/mm)	(lbs/1000ft) (kg/km)	(30°C ambient)	(lb/kg)	(in/mm)
2C610U140200309	2	14	14	0.510 / 13.0	0.622 / 15.8	172 / 256	25	66 / 30	11.2 / 284
2C610U120200309	2	12	12	0.546 / 13.9	0.658 / 16.7	206 / 306	30	104 / 47	11.8 / 301
2C610U100200309	2	10	10	0.596 / 15.1	0.708 / 18.0	258 / 383	40	166 / 75	12.7 / 324
2C610U080200309	2	8	10	0.714 / 18.1	0.826 / 21.0	348 / 518	55	265 / 120	14.9 / 378
2C610U060200309	2	6	8	0.792 / 20.1	0.904 / 23.0	456 / 678	75	419 / 190	16.3 / 413
2C610U040200309	2	4	8	0.886 / 22.5	0.998 / 25.4	594 / 885	95	668 / 303	18 / 456
2C610U030200309	2	3	6	0.940 / 23.9	1.052 / 26.7	714 / 1063	115	842 / 382	18.9 / 481
2C610U020200309	2	2	6	0.966 / 24.5	1.078 / 27.4	824 / 1226	130	1062 / 482	19.4 / 493
2C610U010240309	2	1	6	1.084 / 27.5	1.196 / 30.4	993 / 1477	145	1339 / 607	21.5 / 547
2C610U1/0240309	2	1/0	6	1.164 / 29.6	1.276 / 32.4	1174 / 1747	170	1690 / 766	23 / 583
2C610U2/0240309	2	2/0	6	1.250 / 31.8	1.362 / 34.6	1392 / 2071	195	2130 / 966	24.5 / 623
2C610U3/0240309	2	3/0	4	1.352 / 34.3	1.464 / 37.2	1710 / 2544	225	2671 / 1212	26.4 / 669
2C610U4/0240309	2	4/0	4	1.464 / 37.2	1.576 / 40.0	2050 / 3051	260	3386 / 1536	28.4 / 721
2C610U250260309	2	250	4	1.596 / 40.6	1.728 / 43.9	2393 / 3561	290	4000 / 1814	31.1 / 790
2C610U300260309	2	300	3	1.702 / 43.2	1.834 / 46.6	2804 / 4173	320	4800 / 2177	33 / 839
2C610U350260309	2	350	3	1.802 / 45.8	1.934 / 49.1	3180 / 4732	350	5600 / 2540	34.8 / 884
2C610U500260309	2	500	3	2.159 / 54.8	2.291 / 58.2	4492 / 6685	430	8000 / 3629	41.2 / 1047
2C610U140300309	3	14	14	0.541 / 13.7	0.653 / 16.6	192 / 285	25	99 / 45	11.7 / 298
2C610U120300309	3	12	12	0.581 / 14.8	0.693 / 17.6	234 / 348	30	157 / 71	12.5 / 317
2C610U100300309	3	10	10	0.637 / 16.2	0.748 / 19.0	304 / 453	40	249 / 113	13.5 / 342
2C610U080300309	3	8	10	0.768 / 19.5	0.880 / 22.4	423 / 630	55	397 / 180	15.8 / 402
2C610U060300309	3	6	8	0.854 / 21.7	0.966 / 24.6	563 / 838	75	629 / 285	17.4 / 442
2C610U040300309	3	4	8	0.934 / 23.7	1.046 / 26.6	751 / 1118	95	1002 / 454	18.8 / 478
2C610U030300309	3	3	6	0.972 / 24.7	1.084 / 27.5	901 / 1341	115	1263 / 573	19.5 / 496
2C610U020300309	3	2	6	1.023 / 26.0	1.135 / 28.8	1058 / 1575	130	1593 / 723	20.4 / 519
2C610U010340309	3	1	6	1.149 / 29.2	1.261 / 32.0	1292 / 1923	145	2009 / 911	22.7 / 577
2C610U1/0340309	3	1/0	6	1.235 / 31.4	1.347 / 34.2	1546 / 2300	170	2534 / 1150	24.3 / 616
2C610U2/0340309	3	2/0	6	1.328 / 33.7	1.440 / 36.6	1853 / 2757	195	3194 / 1449	25.9 / 658
2C610U3/0340309	3	3/0	4	1.438 / 36.5	1.549 / 39.4	2285 / 3401	225	4007 / 1818	27.9 / 708
2C610U4/0340309	3	4/0	4	1.558 / 39.6	1.690 / 42.9	2794 / 4158	260	5078 / 2304	30.4 / 773

*Ampacity value based on National Electrical Code, Version 2020, Table 310.16. Values are corrected according to Table 310.15(C)(1) for number of Conductors. Per NEC 310.15(C)(1), the ampacity of 4/C cable shall be reduced by a factor of 0.8 when the neutral is considered a current-carrying conductor.

UL Type MC Armored Power, Multi-Conductor, 600/1000 V

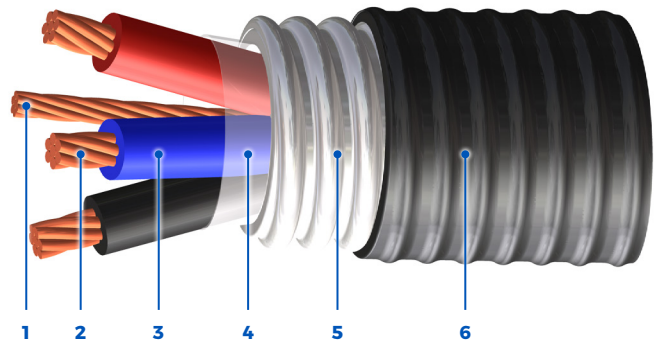
PART NUMBER	NUMBER OF CONDUCTORS	CONDUCTOR SIZE	GROUND WIRE SIZE	NORMAL DIAMETERS		CABLE WEIGHT	AMPACITY	MAX PULLING TENSION (PULLING EYE)	MIN BEND RADIUS (PULL)
				OVER ARMOR	OVERALL CABLE				
		(AWG/kcmil)	(AWG/kcmil)	(in/mm)	(in/mm)	(lbs/1000ft) (kg/km)	(30°C ambient)	(lb/kg)	(in/mm)
2C610U250360309	3	250	4	1.700 / 43.2	1.832 / 46.5	3232 / 4809	290	6000 / 2722	33 / 837
2C610U300360309	3	300	3	1.814 / 46.1	1.946 / 49.4	3798 / 5652	320	7200 / 3266	35 / 890
2C610U350360309	3	350	3	2.022 / 51.4	2.154 / 54.7	4528 / 6738	350	8400 / 3810	38.8 / 985
2C610U500360309	3	500	3	2.298 / 58.4	2.459 / 62.5	6206 / 9236	430	12000 / 5443	44.3 / 1124
2C610U140400309	4	14	14	0.574 / 14.6	0.686 / 17.4	217 / 323	20	132 / 60	12.3 / 314
2C610U120400309	4	12	12	0.618 / 15.7	0.730 / 18.6	269 / 400	24	209 / 95	13.1 / 334
2C610U100400309	4	10	10	0.680 / 17.3	0.792 / 20.1	349 / 520	32	332 / 151	14.3 / 362
2C610U080400309	4	8	10	0.827 / 21.0	0.939 / 23.9	502 / 747	44	529 / 240	16.9 / 429
2C610U060400309	4	6	8	0.922 / 23.4	1.035 / 26.3	679 / 1011	60	839 / 380	18.6 / 473
2C610U040400309	4	4	8	1.003 / 25.5	1.115 / 28.3	922 / 1372	76	1336 / 606	20.1 / 510
2C610U030400309	4	3	6	1.070 / 27.2	1.182 / 30.0	1115 / 1660	92	1684 / 764	21.3 / 540
2C610U020400309	4	2	6	1.147 / 29.1	1.259 / 32.0	1329 / 1978	104	2124 / 964	22.7 / 576
2C610U010440309	4	1	6	1.263 / 32.1	1.375 / 35.0	1625 / 2418	116	2678 / 1215	24.7 / 629
2C610U1/0440309	4	1/0	6	1.359 / 34.5	1.471 / 37.4	1954 / 2908	136	3379 / 1533	26.5 / 673
2C610U2/0440309	4	2/0	6	1.463 / 37.2	1.575 / 40.0	2359 / 3510	156	4259 / 1932	28.3 / 720
2C610U3/0440309	4	3/0	4	1.586 / 40.3	1.718 / 43.7	2953 / 4395	180	5343 / 2423	30.9 / 785
2C610U4/0440309	4	4/0	4	1.721 / 43.7	1.853 / 47.0	3585 / 5335	208	6771 / 3071	33.3 / 847
2C610U250460309	4	250	4	1.981 / 50.3	2.113 / 53.7	4335 / 6451	232	8000 / 3629	38 / 966
2C610U300460309	4	300	3	2.108 / 53.6	2.240 / 56.9	5084 / 7566	256	9600 / 4355	40.3 / 1024
2C610U350460309	4	350	3	2.229 / 56.6	2.361 / 60.0	5804 / 8637	280	11200 / 5080	42.5 / 1079
2C610U500460309	4	500	3	2.537 / 64.5	2.699 / 68.6	8002 / 11908	344	16000 / 7258	48.6 / 1234

*Ampacity value based on National Electrical Code, Version 2020, Table 310.16. Values are corrected according to Table 310.15(C)(1) for number of Conductors. Per NEC 310.15(C)(1), the ampacity of 4/C cable shall be reduced by a factor of 0.8 when the neutral is considered a current-carrying conductor.

UL Type MC Armored Control, Multi-Conductor, 2000 V

Metal Clad AIA Control cables are suitable for use in ventilated, non-ventilated and ladder type cable trays, direct burial, raceways and for exposed or concealed wiring in wet, damp or dry locations in -40°C (-40°F) environments. Applicable for use in Utilities, Industrial and Commercial applications.

Standards:



1 – Grounding/Bonding Conductor

2 – Strand Bare (ASTM B8) Annealed Copper Conductors

3 – FR XLPE (RHW-2 Rated) Insulated Conductors

4 – Polyester Separator Tape

5 – Aluminum Interlocked Armor (AIA)

6 – FR PVC Outer Protective Black Jacket

Product Construction

Insulation:

- FR XLPE (RHW-2 rated) rated: 90°C wet/dry

Armor:

- Aluminum Interlocked Armor (AIA) (standard)
- Steel Interlocked Armor (SIA) (optional)

Jacket:

- FR PVC outer black jacket rated: 90°C to -40°C
- Thermoset CPE (optional)
- Thermoplastic CPE (optional)
- Thermoplastic LSZH (optional)

Available in:

- Custom insulation/jacket colors
- Composite constructions
- Inner jacket optional

Certification/Compliances

- UL 1569, Metal Clad Cables (MC)
- UL 44, Thermoset Insulated Wires and Cables
- UL 1685/FT4, Vertical Tray Flame Test rated (optional)
- IEEE 1202/383 (70,000 BTU/hr), Vertical Flame Test rated (optional)
- ICEA T-30-520 (70,000 BTU/hr), Vertical Flame Test rated
- XLPE (RHW-2 rated) 90°C wet/dry
- UV sunlight resistant "SUN RES" (all colors) (for CT use)
- Direct burial rated
- -40°C cold bend rated
- Rated for use in hazardous locations:
 - Class I Zone 2 (Div 2)
 - Class II Zone 22 (Div 2)

2000 V Voltage

UL Type MC

Control

Color Coding

- Method K1 or K2 (standard)
- Method 4 (optional)

UL Type MC Armored Control, Multi-Conductor, 2000 V

PART NUMBER	NUMBER OF CONDUCTORS	CONDUCTOR SIZE (AWG/kcmil)	GROUND WIRE SIZE (AWG/kcmil)	NORMAL DIAMETERS		CABLE WEIGHT (lbs/1000ft) (kg/km)	AMPACITY (30°C ambient)	MAX PULLING TENSION (PULLING EYE) (lb/kg)	MIN BEND RADIUS (PULL) (in/mm)
				OVER ARMOR (in/mm)	OVERALL CABLE (in/mm)				
2K610U140200309	2	14	14	0.630 / 16.0	0.742 / 18.9	227 / 337	25	66 / 30	13.4 / 339
2K610U140300309	3	14	14	0.674 / 17.1	0.786 / 20.0	262 / 390	25	99 / 45	14.2 / 360
2K610U140400309	4	14	14	0.723 / 18.4	0.835 / 21.2	295 / 438	20	132 / 60	15 / 382
2K610U140500309	5	14	14	0.765 / 19.4	0.877 / 22.3	334 / 496	20	165 / 75	15.8 / 401
2K610U140600309	6	14	14	0.823 / 20.9	0.935 / 23.8	380 / 565	20	197 / 90	16.8 / 427
2K610U140700309	7	14	14	0.881 / 22.4	0.993 / 25.2	425 / 632	17.5	230 / 104	17.9 / 454
2K610U140800309	8	14	14	0.941 / 23.9	1.053 / 26.7	473 / 703	17.5	263 / 119	18.9 / 481
2K610U141000309	10	14	14	0.980 / 24.9	1.092 / 27.7	532 / 792	12.5	329 / 149	19.7 / 499
2K610U141200309	12	14	14	1.009 / 25.6	1.121 / 28.5	591 / 879	12.5	395 / 179	20.2 / 513
2K610U141400309	14	14	14	1.059 / 26.9	1.171 / 29.8	658 / 980	12.5	461 / 209	21.1 / 535
2K610U141500309	15	14	14	1.086 / 27.6	1.198 / 30.4	693 / 1032	12.5	494 / 224	21.6 / 548
2K610U142000309	20	14	14	1.231 / 31.3	1.343 / 34.1	866 / 1289	12.5	658 / 298	24.2 / 614
2K610U142500309	25	14	14	1.366 / 34.7	1.478 / 37.5	1044 / 1553	11.25	823 / 373	26.6 / 676
2K610U143000309	30	14	14	1.445 / 36.7	1.557 / 39.6	1190 / 1770	11.25	987 / 448	28 / 712
2K610U144000309	40	14	14	1.617 / 41.1	1.749 / 44.4	1545 / 2299	10	1316 / 597	31.5 / 800
2K610U145000309	50	14	14	1.798 / 45.7	1.930 / 49.0	1861 / 2769	8.75	1645 / 746	34.7 / 883
2K610U120200309	2	12	12	0.666 / 16.9	0.778 / 19.8	265 / 394	30	104 / 47	14 / 356
2K610U120300309	3	12	12	0.715 / 18.2	0.827 / 21.0	310 / 461	30	157 / 71	14.9 / 378
2K610U120400309	4	12	12	0.767 / 19.5	0.879 / 22.3	360 / 536	24	209 / 95	15.8 / 402
2K610U120500309	5	12	12	0.814 / 20.7	0.926 / 23.5	403 / 599	24	261 / 118	16.7 / 423
2K610U120600309	6	12	12	0.877 / 22.3	0.989 / 25.1	458 / 682	24	313 / 142	17.8 / 452
2K610U120700309	7	12	12	0.940 / 23.9	1.052 / 26.7	516 / 769	21	365 / 166	18.9 / 481
2K610U120800309	8	12	12	0.970 / 24.6	1.082 / 27.5	569 / 847	21	418 / 189	19.5 / 495
2K610U121000309	10	12	12	1.052 / 26.7	1.164 / 29.6	656 / 976	15	522 / 237	21 / 532
2K610U121200309	12	12	12	1.084 / 27.5	1.196 / 30.4	735 / 1093	15	626 / 284	21.5 / 547
2K610U121400309	14	12	12	1.139 / 28.9	1.250 / 31.8	823 / 1224	15	731 / 331	22.5 / 572
2K610U121500309	15	12	12	1.168 / 29.7	1.280 / 32.5	867 / 1290	15	783 / 355	23 / 585
2K610U122000309	20	12	12	1.326 / 33.7	1.438 / 36.5	1092 / 1625	15	1044 / 474	25.9 / 658
2K610U122500309	25	12	12	1.474 / 37.4	1.586 / 40.3	1322 / 1967	13.5	1305 / 592	28.5 / 725
2K610U123000309	30	12	12	1.561 / 39.6	1.692 / 43.0	1548 / 2303	13.5	1566 / 710	30.5 / 774
2K610U124000309	40	12	12	1.748 / 44.4	1.880 / 47.8	1977 / 2942	12	2088 / 947	33.8 / 860

*Ampacity value based on National Electrical Code, Version 2020, Table 310.16. Values are corrected according to Table 310.15(C)(1) for number of Conductors. Per NEC 310.15(C)(1), the ampacity of 4/C cable shall be reduced by a factor of 0.8 when the neutral is considered a current-carrying conductor.

UL Type MC Armored Control, Multi-Conductor, 2000 V

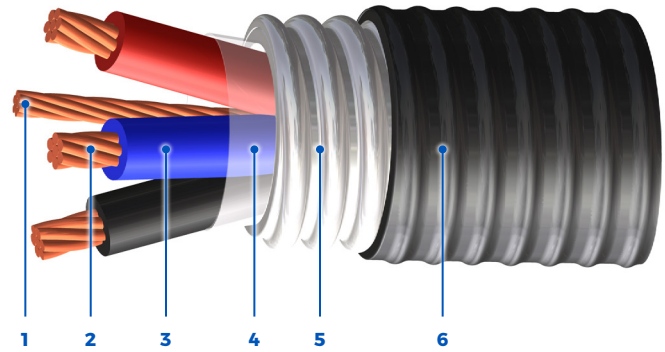
PART NUMBER	NUMBER OF CONDUCTORS	CONDUCTOR SIZE	GROUND WIRE SIZE	NORMAL DIAMETERS		CABLE WEIGHT	AMPACITY	MAX PULLING TENSION (PULLING EYE)	MIN BEND RADIUS (PULL)
				OVER ARMOR	OVERALL CABLE				
		(AWG/kcmil)	(AWG/kcmil)	(in/mm)	(in/mm)	(lbs/1000ft) (kg/km)	(30°C ambient)	(lb/kg)	(in/mm)
2K610U100200309	2	10	10	0.716 / 18.2	0.828 / 21.0	321 / 478	40	166 / 75	14.9 / 379
2K610U100300309	3	10	10	0.770 / 19.6	0.882 / 22.4	383 / 569	40	249 / 113	15.9 / 403
2K610U100400309	4	10	10	0.829 / 21.1	0.941 / 23.9	452 / 672	32	332 / 151	16.9 / 430
2K610U100500309	5	10	10	0.881 / 22.4	0.993 / 25.2	518 / 771	32	415 / 188	17.9 / 454
2K610U100600309	6	10	10	0.952 / 24.2	1.064 / 27.0	593 / 882	32	498 / 226	19.2 / 486
2K610U100700309	7	10	10	0.987 / 25.1	1.099 / 27.9	663 / 987	28	581 / 264	19.8 / 502
2K610U100800309	8	10	10	1.060 / 26.9	1.172 / 29.8	727 / 1082	28	664 / 301	21.1 / 536
2K610U101000309	10	10	10	1.152 / 29.3	1.264 / 32.1	845 / 1257	20	830 / 376	22.8 / 578
2K610U101200309	12	10	10	1.187 / 30.2	1.299 / 33.0	953 / 1419	20	996 / 452	23.4 / 594
2K610U101400309	14	10	10	1.249 / 31.7	1.361 / 34.6	1074 / 1599	20	1162 / 527	24.5 / 622
2K610U101500309	15	10	10	1.282 / 32.6	1.394 / 35.4	1134 / 1688	20	1245 / 565	25.1 / 637
2K610U102000309	20	10	10	1.459 / 37.1	1.571 / 39.9	1438 / 2140	20	1660 / 753	28.3 / 718
2K610U102500309	25	10	10	1.624 / 41.3	1.756 / 44.6	1781 / 2650	18	2075 / 941	31.6 / 803
2K610U103000309	30	10	10	1.721 / 43.7	1.853 / 47.1	2055 / 3059	18	2490 / 1129	33.3 / 847

*Ampacity value based on National Electrical Code, Version 2020, Table 310.16. Values are corrected according to Table 310.15(C)(1) for number of Conductors. Per NEC 310.15(C)(1), the ampacity of 4/C cable shall be reduced by a factor of 0.8 when the neutral is considered a current-carrying conductor.

UL Type MC Armored Power, Multi-Conductor, 2000 V

Metal Clad AIA Power cables are suitable for use in ventilated, non-ventilated and ladder type cable trays, direct burial, raceways and for exposed or concealed wiring in wet, damp or dry locations in -40°C (40°F) environments. Applicable for use in Utilities, Industrial and Commercial applications.

Standards:



- 1 – Grounding/Bonding Conductor
- 2 – Strand Bare (ASTM B8) Annealed Copper Conductors
- 3 – FR XLPE (RHW-2 Rated) Insulated Conductors
- 4 – Polyester Separator Tape
- 5 – Aluminum Interlocked Armor (AIA)
- 6 – FR PVC Outer Protective Black Jacket

Product Construction

Insulation:

- FR XLPE (RHW-2 rated) rated: 90°C wet/dry

Aarmor:

- Aluminum Interlocked Armor (AIA) (standard)
- Steel Interlocked Armor (SIA) (optional)

Jacket:

- FR PVC outer black jacket rated: 90°C to -40°C
- Thermoset CPE (optional)
- Thermoplastic CPE (optional)
- Thermoplastic LSZH (optional)

Available in:

- Custom insulation/jacket colors
- Composite constructions
- Inner jacket optional

Certification/Compliances

- UL 1569, Metal Clad Cables (MC)
- UL 44, Thermoset Insulated Wires and Cables
- UL 1685/FT4, Vertical Tray Flame Test rated (optional)
- IEEE 1202/383 (70,000 BTU/hr), Vertical Flame Test rated (optional)
- ICEA T-30-520 (70,000 BTU/hr), Vertical Flame Test rated
- XLPE (RHW-2 rated), 90°C wet/dry
- UV sunlight resistant "SUN RES" (all colors) (for CT use)
- Direct burial rated
- -40°C cold bend rated
- Rated for use in hazardous locations:
 - Class I Zone 2 (Div 2)
 - Class II Zone 22 (Div 2)

2000 V

Voltage

Color Coding

- Method 1 K1 or K2 (standard)
- Method 4 (optional)

UL Type MC

Power

UL Type MC Armored Power, Multi-Conductor, 2000 V

PART NUMBER	NUMBER OF CONDUCTORS	CONDUCTOR SIZE	GROUND WIRE SIZE	NORMAL DIAMETERS		CABLE WEIGHT	AMPACITY	MAX PULLING TENSION (PULLING EYE)	MIN BEND RADIUS (PULL)
				OVER ARMOR	OVERALL CABLE				
		(AWG/kcmil)	(AWG/kcmil)	(in/mm)	(in/mm)	(lbs/1000ft) (kg/km)	(30°C ambient)	(lb/kg)	(in/mm)
2K610U140200309	2	14	14	0.630 / 16.0	0.742 / 18.9	227 / 337	25	66 / 30	13.4 / 339
2K610U120200309	2	12	12	0.666 / 16.9	0.778 / 19.8	265 / 394	30	104 / 47	14 / 356
2K610U100200309	2	10	10	0.716 / 18.2	0.828 / 21.0	321 / 478	40	166 / 75	14.9 / 379
2K610U080200309	2	8	10	0.814 / 20.7	0.926 / 23.5	403 / 599	55	265 / 120	16.7 / 423
2K610U060200309	2	6	8	0.892 / 22.7	1.004 / 25.5	516 / 768	75	419 / 190	18.1 / 459
2K610U040200309	2	4	8	0.986 / 25.0	1.098 / 27.9	659 / 981	95	668 / 303	19.8 / 502
2K610U030200309	2	3	6	1.004 / 25.5	1.116 / 28.4	778 / 1158	115	842 / 382	20.1 / 510
2K610U020200309	2	2	6	1.066 / 27.1	1.178 / 29.9	894 / 1330	130	1062 / 482	21.2 / 539
2K610U010240309	2	1	6	1.224 / 31.1	1.336 / 33.9	1103 / 1642	145	1339 / 607	24 / 611
2K610U1/0240309	2	1/0	6	1.304 / 33.1	1.416 / 36.0	1294 / 1926	170	1690 / 766	25.5 / 647
2K610U2/0240309	2	2/0	6	1.390 / 35.3	1.502 / 38.1	1520 / 2261	195	2130 / 966	27 / 687
2K610U3/0240309	2	3/0	4	1.492 / 37.9	1.604 / 40.7	1847 / 2749	225	2671 / 1212	28.9 / 733
2K610U4/0240309	2	4/0	4	1.604 / 40.7	1.736 / 44.0	2230 / 3318	260	3386 / 1536	31.2 / 794
2K610U250260309	2	250	4	1.756 / 44.6	1.888 / 48.0	2575 / 3831	290	4000 / 1814	34 / 863
2K610U300260309	2	300	3	1.963 / 49.9	2.095 / 53.2	3182 / 4736	320	4800 / 2177	37.7 / 958
2K610U350260309	2	350	3	2.063 / 52.4	2.195 / 55.8	3579 / 5326	350	5600 / 2540	39.5 / 1004
2K610U500260309	2	500	3	2.319 / 58.9	2.481 / 63.0	4806 / 7153	430	8000 / 3629	44.7 / 1134
2K610U140300309	3	14	14	0.674 / 17.1	0.786 / 20.1	262 / 390	25	99 / 45	14.2 / 360
2K610U120300309	3	12	12	0.715 / 18.2	0.827 / 21.0	310 / 461	30	157 / 71	14.9 / 378
2K610U100300309	3	10	10	0.770 / 19.6	0.882 / 22.4	383 / 569	40	249 / 113	15.9 / 403
2K610U080300309	3	8	10	0.879 / 22.3	0.991 / 25.2	491 / 731	55	397 / 180	17.8 / 453
2K610U060300309	3	6	8	0.966 / 24.5	1.078 / 27.4	639 / 951	75	629 / 285	19.4 / 493
2K610U040300309	3	4	8	1.005 / 25.5	1.117 / 28.4	823 / 1225	95	1002 / 454	20.1 / 511
2K610U030300309	3	3	6	1.063 / 27.0	1.175 / 29.9	987 / 1468	115	1263 / 573	21.2 / 537
2K610U020300309	3	2	6	1.130 / 28.7	1.242 / 31.6	1153 / 1715	130	1593 / 723	22.4 / 568
2K610U010340309	3	1	6	1.300 / 33.0	1.412 / 35.9	1429 / 2127	145	2009 / 911	25.4 / 646
2K610U1/0340309	3	1/0	6	1.386 / 35.0	1.498 / 38.1	1692 / 2517	170	2534 / 1150	27 / 685
2K610U2/0340309	3	2/0	6	1.478 / 37.6	1.590 / 40.4	2011 / 2993	195	3194 / 1449	28.6 / 727
2K610U3/0340309	3	3/0	4	1.588 / 40.3	1.720 / 43.7	2488 / 3702	225	4007 / 1818	31 / 786
2K610U4/0340309	3	4/0	4	1.708 / 43.4	1.840 / 46.8	2983 / 4439	260	5078 / 2304	33.1 / 841

*Ampacity value based on National Electrical Code, Version 2020, Table 310.16. Values are corrected according to Table 310.15(C)(1) for number of Conductors.

UL Type MC Armored Power, Multi-Conductor, 2000 V

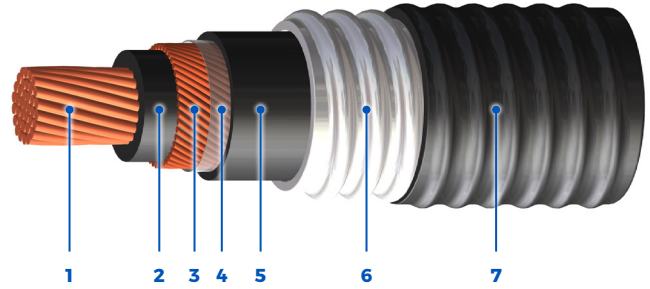
PART NUMBER	NUMBER OF CONDUCTORS	CONDUCTOR SIZE	GROUND WIRE SIZE	NORMAL DIAMETERS		CABLE WEIGHT	AMPACITY	MAX PULLING TENSION (PULLING EYE)	MIN BEND RADIUS (PULL)
				OVER ARMOR	OVERALL CABLE				
		(AWG/kcmil)	(AWG/kcmil)	(in/mm)	(in/mm)	(lbs/1000ft) (kg/km)	(30°C ambient)	(lb/kg)	(in/mm)
2K610U250360309	3	250	4	1.973 / 50.1	2.105 / 53.5	3645 / 5425	290	6000 / 2722	37.9 / 962
2K610U300360309	3	300	3	2.087 / 53.0	2.219 / 56.4	4240 / 6309	320	7200 / 3266	39.9 / 1014
2K610U350360309	3	350	3	2.194 / 55.7	2.326 / 59.1	4796 / 7137	350	8400 / 3810	41.9 / 1064
2K610U500360309	3	500	3	2.469 / 62.7	2.632 / 66.8	6513 / 9693	430	12000 / 5443	47.4 / 1203
2K610U750360309	3	750	0	2.919 / 74.1	3.081 / 78.3	9186 / 13671	535	18000 / 8165	55.5 / 1409
2K610U140400309	4	14	14	0.723 / 18.4	0.835 / 21.2	295 / 438	20	132 / 60	15 / 382
2K610U120400309	4	12	12	0.767 / 19.5	0.879 / 22.3	360 / 536	24	209 / 95	15.8 / 402
2K610U100400309	4	10	10	0.829 / 21.1	0.941 / 23.9	452 / 672	32	332 / 151	16.9 / 430
2K610U080400309	4	8	10	0.951 / 24.2	1.063 / 27.0	589 / 877	44	529 / 240	19.1 / 486
2K610U060400309	4	6	8	1.010 / 25.7	1.122 / 28.5	763 / 1136	60	839 / 380	20.2 / 513
2K610U040400309	4	4	8	1.127 / 28.6	1.239 / 31.5	1028 / 1530	76	1336 / 606	22.3 / 567
2K610U030400309	4	3	6	1.194 / 30.3	1.306 / 33.2	1222 / 1819	92	1684 / 764	23.5 / 597
2K610U020400309	4	2	6	1.271 / 32.3	1.383 / 35.1	1440 / 2143	104	2124 / 964	24.9 / 632
2K610U010440309	4	1	6	1.431 / 36.4	1.543 / 39.2	1804 / 2684	116	2678 / 1215	27.8 / 706
2K610U1/0440309	4	1/0	6	1.528 / 38.8	1.660 / 42.2	2178 / 3241	136	3379 / 1533	29.9 / 759
2K610U2/0440309	4	2/0	6	1.631 / 41.4	1.763 / 44.8	2594 / 3860	156	4259 / 1932	31.7 / 806
2K610U3/0440309	4	3/0	4	1.754 / 44.6	1.886 / 47.9	3161 / 4704	180	5343 / 2423	34 / 862
2K610U4/0440309	4	4/0	4	1.990 / 50.6	2.122 / 53.9	4006 / 5961	208	6771 / 3071	38.2 / 970
2K610U250460309	4	250	4	2.173 / 55.2	2.305 / 58.6	4640 / 6905	232	8000 / 3629	41.5 / 1054
2K610U300460309	4	300	3	2.301 / 58.5	2.463 / 62.6	5488 / 8166	256	9600 / 4355	44.3 / 1126
2K610U350460309	4	350	3	2.422 / 61.5	2.584 / 65.6	6218 / 9253	280	11200 / 5080	46.5 / 1181
2K610U500460309	4	500	3	2.730 / 69.4	2.892 / 73.5	8387 / 12481	344	16000 / 7258	52.1 / 1322

*Ampacity value based on National Electrical Code, Version 2020, Table 310.16. Values are corrected according to Table 310.15(C)(1) for number of Conductors.

UL Type MC Armored Power, Single Conductor, 600/1000 V

Metal Clad AIA Power cables are suitable for use in ventilated, non-ventilated and ladder type cable trays, direct burial, raceways and for exposed or concealed wiring in wet, damp or dry locations in -40°C (-40°F) environments. Applicable for use in Utilities, Industrial and Commercial applications.

Standards:



- 1 – Strand Bare (ASTM B8) Annealed Copper Conductor
- 2 – FR XLPE (XHHW-2 Rated) Insulated Conductor
- 3 – Serve/Wound Grounds
- 4 – Polyester Separator Tape

- 5 – FR PVC Inner Protective Jacket
- 6 – Aluminum Interlocked Armor (AIA)
- 7 – FR PVC Outer Protective Jacket

Product Construction

Insulation:

- FR XLPE (XHHW-2 rated) rated: 90°C wet/dry

Armor:

- Aluminum Interlocked Armor (AIA) (standard)

Jacket:

- FR PVC inner/outer black jacket rated: 90°C to -40°C
- Thermoset CPE (optional)
- Thermoplastic CPE (optional)
- Thermoplastic LSZH (optional)

Available in:

- Custom insulation/jacket colors
- Composite constructions

Certification/Compliances

- UL 1569, Metal Clad Cables (MC)
- UL 44, Thermoset Insulated Wires and Cables
- UL 1685/FT4, Vertical Tray Flame Test rated (optional)
- IEEE 1202/383 (70,000 BTU/hr), Vertical Flame Test rated (optional)
- ICEA T-30-520 (70,000 BTU/hr), Vertical Flame Test rated
- XLPE (XHHW-2 rated), 90°C wet/dry
- UV sunlight resistant "SUN RES" (all colors) (for CT use)
- Direct burial rated
- -40°C cold bend rated
- Rated for use in hazardous locations:
 - Class I Zone 2 (Div 2)
 - Class II Zone 22 (Div 2)

600/ 1000 V

Voltage
(1000 V optional)

Color Coding

- Black conductors (standard)
- Method 4 (optional)

UL Type MC

Power

UL Type MC Armored Power, Single Conductor, 600/1000 V

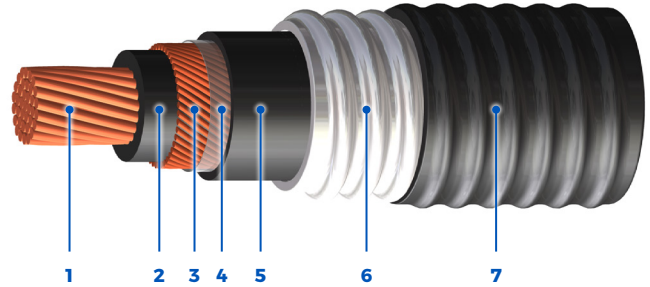
PART NUMBER	NUMBER OF PAIRS	CONDUCTOR SIZE	GROUND WIRE SIZE	OD OVER INNER JACKET	NORMAL DIAMETERS		CABLE WEIGHT	AMPACITY	MAX PULLING TENSION (PULLING EYE)	MIN BEND RADIUS (PULL)
					OVER ARMOR	OVERALL CABLE				
		(AWG/kcmil)	(AWG/kcmil)	(in/mm)	(in/mm)	(in/mm)	(lbs/1000ft) (kg/km)	(30°C ambient)	(lb/kg)	(in/mm)
2C610U080100300	1	8	18	0.407 / 10.3	0.647 / 16.4	0.759 / 19.3	307 / 457	55	132 / 60	13.7 / 347
2C610U060100300	1	6	16	0.466 / 11.8	0.706 / 17.9	0.818 / 20.8	394 / 587	75	210 / 95	14.7 / 374
2C610U040100300	1	4	16	0.513 / 13.0	0.753 / 19.1	0.865 / 22	462 / 687	95	334 / 151	15.6 / 395
2C610U030100300	1	3	16	0.560 / 14.2	0.800 / 20.3	0.912 / 23.2	522 / 777	115	421 / 191	16.4 / 417
2C610U020100300	1	2	16	0.591 / 15.0	0.831 / 21.1	0.943 / 24.0	578 / 860	130	531 / 241	17 / 431
2C610U010140300	1	1	14	0.676 / 17.2	0.916 / 23.3	1.028 / 26.1	725 / 1079	145	670 / 304	18.5 / 470
2C610U1/0140300	1	1/0	14	0.716 / 18.2	0.956 / 24.3	1.068 / 27.1	811 / 1207	170	845 / 383	19.2 / 488
2C610U2/0140300	1	2/0	14	0.759 / 19.3	0.979 / 24.9	1.091 / 27.7	911 / 1356	195	1065 / 483	19.6 / 499
2C610U3/0140300	1	3/0	14	0.810 / 20.6	1.014 / 25.8	1.126 / 28.6	1066 / 1587	225	1336 / 606	20.3 / 515
2C610U4/0140300	1	4/0	14	0.866 / 22.0	1.070 / 27.2	1.182 / 30.0	1282 / 1908	260	1693 / 768	21.3 / 540
2C610U250160300	1	250	14	0.932 / 23.7	1.136 / 28.9	1.248 / 31.7	1427 / 2124	290	2000 / 907	22.5 / 571
2C610U300160300	1	300	14	0.985 / 25.0	1.189 / 30.2	1.301 / 33.1	1660 / 2471	320	2400 / 1089	23.4 / 595
2C610U350160300	1	350	14	1.035 / 26.3	1.239 / 31.5	1.351 / 34.3	1839 / 2737	350	2800 / 1270	24.3 / 618
2C610U500160300	1	500	14	1.163 / 29.5	1.367 / 34.7	1.479 / 37.6	2433 / 3620	430	4000 / 1814	26.6 / 676
2C610U750160300	1	750	14	1.372 / 34.9	1.576 / 40.0	1.708 / 43.4	3461 / 5151	535	6000 / 2722	30.7 / 781

*Ampacity value based on National Electrical Code, Version 2020, Table 310.16.

UL Type MC Armored Power, Single Conductor, 2000 V

Metal Clad AIA Power cables are suitable for use in ventilated, non-ventilated and ladder type cable trays, direct burial, raceways and for exposed or concealed wiring in wet, damp or dry locations in -40°C (-40°F) environments. Applicable for use in Utilities, Industrial and Commercial applications.

Standards:



- | | |
|---|--------------------------------------|
| 1 – Strand Bare (ASTM B8) Annealed Copper Conductor | 5 – FR PVC Inner Protective Jacket |
| 2 – FR XLPE (RHW-2 Rated) Insulated Conductor | 6 – Aluminum Interlocked Armor (AIA) |
| 3 – Serve/Wound Grounds | 7 – FR PVC Outer Protective Jacket |
| 4 – Polyester Separator Tape | |

Product Construction

Insulation:

- FR XLPE (RHW-2 rated) rated: 90°C wet/dry

Armor:

- Aluminum Interlocked Armor (AIA) (standard)

Jacket:

- FR PVC inner/outer black jacket rated: 90°C to -40°C
- Thermoset CPE (optional)
- Thermoplastic CPE (optional)
- Thermoplastic LSZH (optional)

Available in:

- Custom insulation/jacket colors
- Composite constructions

Certification/Compliances

- UL 1569, Metal Clad Cables (MC)
- UL 44, Thermoset Insulated Wires and Cables
- UL 1685/FT4, Vertical Tray Flame Test rated (optional)
- IEEE 1202/383 (70,000 BTU/hr), Vertical Flame Test rated (optional)
- ICEA T-30-520 (70,000 BTU/hr), Vertical Flame Test rated
- XLPE (RHW-2 rated), 90°C wet/dry
- UV sunlight resistant "SUN RES" (all colors) (for CT use)
- Direct burial rated
- 40°C cold bend rated
- Rated for use in hazardous locations:
 - Class I Zone 2 (Div 2)
 - Class II Zone 20, 21 (Div 1)
 - Class II Zone 22 (Div 2)

2000 V

Voltage

UL Type MC

Power

Color Coding

- Black conductors (standard)
- Method 4 (optional)

UL Type MC Armored Power, Single Conductor, 2000 V

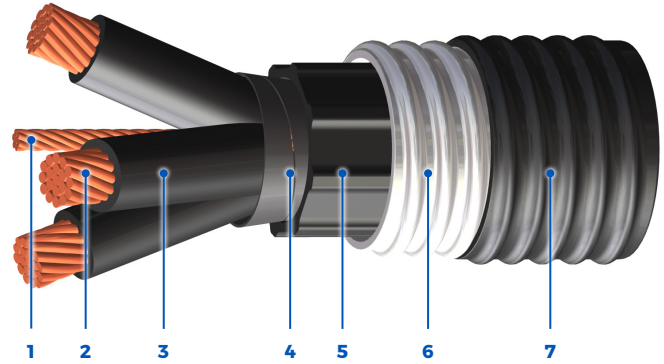
PART NUMBER	NUMBER OF PAIRS	CONDUCTOR SIZE (AWG/kcmil)	GROUND WIRE SIZE (AWG/kcmil)	OD OVER INNER JACKET (in/mm)	NORMAL DIAMETERS		CABLE WEIGHT (lbs/1000ft) (kg/km)	AMPACITY (30°C ambient)	MAX PULLING TENSION (PULLING EYE) (lb/kg)	MIN BEND RADIUS (PULL) (in/mm)
					OVER ARMOR (in/mm)	OVERALL CABLE (in/mm)				
2K610U080100300	1	8	18	0.457 / 11.6	0.697 / 17.7	0.809 / 20.6	334 / 498	55	132 / 60	14.6 / 370
2K610U060100300	1	6	16	0.516 / 13.1	0.756 / 19.2	0.868 / 22.1	423 / 630	75	210 / 95	15.6 / 397
2K610U040100300	1	4	16	0.583 / 14.8	0.823 / 20.9	0.935 / 23.8	509 / 757	95	334 / 151	16.8 / 427
2K610U030100300	1	3	16	0.610 / 15.5	0.850 / 21.6	0.962 / 24.4	556 / 827	115	421 / 191	17.3 / 440
2K610U020100300	1	2	16	0.641 / 16.3	0.881 / 22.4	0.993 / 25.2	613 / 912	130	531 / 241	17.9 / 454
2K610U010140300	1	1	14	0.746 / 19.0	0.986 / 25.0	1.098 / 27.9	778 / 1157	145	670 / 304	19.8 / 502
2K610U1/0140300	1	1/0	14	0.786 / 20.0	0.990 / 25.2	1.102 / 28.0	859 / 1278	170	845 / 383	19.8 / 504
2K610U2/0140300	1	2/0	14	0.829 / 21.1	1.033 / 26.2	1.145 / 29.1	966 / 1438	195	1065 / 483	20.6 / 523
2K610U3/0140300	1	3/0	14	0.880 / 22.4	1.084 / 27.5	1.196 / 30.4	1127 / 1678	225	1336 / 606	21.5 / 547
2K610U4/0140300	1	4/0	14	0.936 / 23.8	1.140 / 29.0	1.252 / 31.8	1346 / 2004	260	1693 / 768	22.5 / 572
2K610U250160300	1	250	14	1.012 / 25.7	1.216 / 30.9	1.328 / 33.7	1506 / 2241	290	2000 / 907	23.9 / 607
2K610U300160300	1	300	14	1.065 / 27.1	1.269 / 32.2	1.381 / 35.1	1744 / 2596	320	2400 / 1089	24.9 / 631
2K610U350160300	1	350	14	1.115 / 28.3	1.319 / 33.5	1.431 / 36.4	1926 / 2867	350	2800 / 1270	25.8 / 654
2K610U500160300	1	500	14	1.243 / 31.6	1.447 / 36.8	1.559 / 39.6	2530 / 3765	430	4000 / 1814	28.1 / 713
2K610U750160300	1	750	14	1.452 / 36.9	1.656 / 42.1	1.788 / 45.4	3578 / 5324	535	6000 / 2722	32.2 / 817

*Ampacity value based on National Electrical Code, Version 2020, Table 310.16.

UL Type MC Riser Armored Mineshaft Cables, 2000 V

Riser cables are designed for vertical applications to prevent cable core slippage and are suitable for use in mineshaft and for environments that require self-supporting lengths. Typically used in Mining, Utilities, Industrial and Commercial applications.

Standards:



- 1 - Grounding/Bonding Conductor
- 2 - Strand Bare (ASTM B8) Annealed Copper Conductors
- 3 - FR XLPE (RHW-2 Rated) Insulated Conductors
- 4 - Cloth Backed Rubberized Separator Tape

- 5 - Inner Ribbed Jacket
- 6 - Aluminum Interlocked Armor (AIA)
- 7 - FR PVC Outer Protective Jacket

Product Construction

Insulation:

- FR XLPE (RHW-2 rated) rated: 90°C wet/dry
- VW-1 rated (optional)

Armor:

- Aluminum Interlocked Armor (AIA) (standard)
- Steel Interlocked Armor (SIA) (standard)

Jacket:

- FR PVC outer black jacket rated: 90°C to -40°C

Available in:

- Variable Frequency Drive (VFD)
- Custom insulation/jacket colors
- Composite constructions
- Aluminum conductors
- Single conductor

Certification/Compliances

- UL 1569, Metal Clad Cables (MC)
- UL 44, Thermoset Insulated Wires and Cables
- UL 1685/FT4, Vertical Tray Flame Test rated (optional)
- IEEE 1202/383 (70,000 BTU/hr), Vertical Flame Test rated (optional)
- ICEA T-30-520 (70,000 BTU/hr), Vertical Flame Test rated
- XLPE (RHW-2 rated), 90°C wet/dry
- UV sunlight resistant "SUN RES" (all colors)
- Direct burial rated
- -40°C cold bend rated
- Rated for use in hazardous locations:
 - Class I Zone 2 (Div 2)
 - Class II Zone 20, 21 (Div 1)
 - Class II Zone 22 (Div 2)

2000 V

Voltage

UL Type MC

Power

Color Coding

- 3C - Black, # coded
- Method 4 (optional)

UL Type MC Riser Armored Mineshaft Cables, 2000 V

PART NUMBER	NUMBER OF CONDUCTORS	CONDUCTOR SIZE	GROUND WIRE SIZE	OD OVER INNER JACKET	NORMAL DIAMETERS		CABLE WEIGHT	AMPACITY	MAX PULLING TENSION (PULLING EYE)	MIN BEND RADIUS (PULL)	SELF SUPPORT LENGTH
					OVER ARMOR	OVERALL CABLE					
		(AWG/ kcmil)	(AWG/ kcmil)	(in/mm)	(in/mm)	(in/mm)	(lbs/1000ft) (kg/km)	(30°C ambient)	(lb/kg)	(in/mm)	(ft/m)
2K610U12030030V	3	12	12	0.628 / 15.9	0.890 / 22.6	1.062 / 27.0	586 / 872	30	157 / 71	19.1 / 486	236 / 72
2K610U10030030V	3	10	10	0.683 / 17.4	0.946 / 24.0	1.118 / 28.4	689 / 1025	40	249 / 113	20.1 / 511	317 / 97
2K610U08030030V	3	8	10	0.792 / 20.1	1.101 / 28.0	1.273 / 32.4	927 / 1380	55	397 / 180	22.9 / 582	374 / 114
2K610U06030030V	3	6	8	0.915 / 23.2	1.224 / 31.1	1.396 / 35.5	1174 / 1747	75	629 / 285	25.1 / 638	471 / 143
2K610U04030030V	3	4	8	0.990 / 25.2	1.299 / 33.0	1.471 / 37.4	1395 / 2076	95	1002 / 454	26.5 / 673	633 / 193
2K610U03030030V	3	3	6	1.048 / 26.6	1.357 / 34.5	1.529 / 38.9	1615 / 2403	115	1263 / 573	27.5 / 699	686 / 209
2K610U02030030V	3	2	6	1.115 / 28.3	1.424 / 36.2	1.596 / 40.5	1811 / 2696	130	1593 / 723	28.7 / 730	771 / 235
2K610U01034030V	3	1	6	1.285 / 32.6	1.594 / 40.5	1.826 / 46.4	2274 / 3384	145	2009 / 911	32.9 / 835	795 / 242
2K610U1/034030V	3	1/0	6	1.371 / 34.8	1.680 / 42.7	1.912 / 48.6	2587 / 3850	170	2534 / 1150	34.4 / 874	883 / 269
2K610U2/034030V	3	2/0	6	1.463 / 37.2	1.772 / 45.0	2.004 / 50.9	3130 / 4658	195	3194 / 1449	36.1 / 916	914 / 279
2K610U3/034030V	3	3/0	4	1.573 / 40.0	1.983 / 50.4	2.215 / 56.3	3734 / 5557	225	4007 / 1818	39.9 / 1013	971 / 296
2K610U4/034030V	3	4/0	4	1.753 / 44.5	2.163 / 55.0	2.395 / 60.8	4311 / 6415	260	5078 / 2304	43.1 / 1095	1060 / 323
2K610U25036030V	3	250	4	1.917 / 48.7	2.327 / 59.1	2.559 / 65.0	4918 / 7319	290	6000 / 2722	46.1 / 1170	1104 / 336
2K610U30036030V	3	300	3	2.031 / 51.6	2.441 / 62.0	2.673 / 67.9	5599 / 8332	320	7200 / 3266	48.1 / 1222	1163 / 354
2K610U35036030V	3	350	3	2.138 / 54.3	2.548 / 64.7	2.840 / 72.1	6401 / 9526	350	8400 / 3810	51.1 / 1299	1190 / 363
2K610U50036030V	3	500	3	2.413 / 61.3	2.823 / 71.7	3.115 / 79.1	8287 / 12332	430	12000 / 5443	56.1 / 1424	1310 / 399
2K610U75036030V	3	750	1	2.923 / 74.2	3.395 / 86.2	3.687 / 93.7	11313 / 16836	535	18000 / 8165	66.4 / 1686	1444 / 440

*Ampacity value based on National Electrical Code, Version 2020, Table 310.16. Values are corrected according to Table 310.15(C)(1) for number of Conductors.

VFD

THE PREFERRED POWER AND CONTROL CABLES FOR AC DRIVES AS REDUCING HARMONIC INTERFERENCE, ENSURING SMOOTH AND SAFE MOTOR OPERATION

We have developed 600V, 1000V, and 2000V VFD cable that provides clean power cable for Variable Frequency Drives. Our design provides the combination of a dual copper tape, shielded cable with/without interlock armor and a three balanced ground system. All these designs reduce electromagnetic interference (EMI), common mode or ground current and reflected waves, that make a safe and stable running of both motor and cable, and reduces motor downtime and maintenance.

VFD CABLES	64-68
UL Type TC Tray VFD, Multi-Conductor, 600/1000V	65
UL Type MC Armored VFD, Multi-Conductor, 600/1000V.....	67

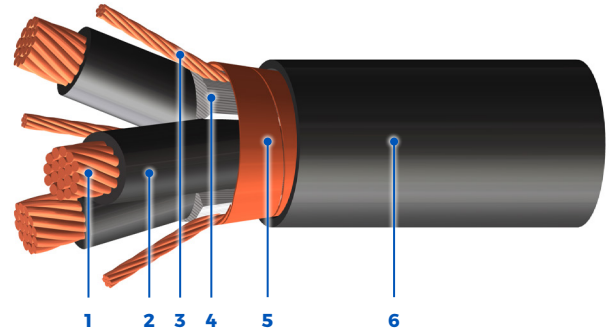
UL Type TC Tray VFD, Multi-Conductor, 600/1000 V

Shawflex VFD cables are the preferred power cables for AC Drives. These cables are primarily used between Pulse Width Modulation (PWM) inverters and AC motors. Shawflex VFD Tray cables are suitable for use in raceways, including ventilated, non-ventilated, indoor/outdoor and ladder-type cable trays in wet/dry locations and are applicable in Industrial and Processing facilities.

Standards:



TC-ER



- 1 - Stranded Bare (ASTM B8) Annealed Copper Conductors
- 2 - FR XLPE (XHHW-2 Rated) Insulated Conductors
- 3 - Tri-sectional Grounding Conductors

- 4 - Polypropylene Fillers
- 5 - Dual Helically Applied Bare/Tin-coated Copper Tape Shield
- 6 - FR PVC Outer Protective Jacket

Product Construction

Insulation:

- FR XLPE (XHHW-2 rated) rated: 90°C wet/dry

Shielding:

- Dual helically applied copper tape shield

Jacket:

- FR PVC outer black or yellow jacket (standard) rated: 90°C to -40°C
- Thermoset CPE (optional)
- Thermoplastic CPE (optional)
- Thermoplastic LSZH (optional)

Available in:

- Custom insulation/jacket colors
- TC-ER (optional)

Certification/Compliances

- UL 1277, Tray Cable (TC-ER)
- UL 44, Thermoset Insulated Wires and Cables
- UL 1685/FT4, Vertical Tray Flame Test rated (optional)
- IEEE 1202/383 (70,000 BTU/hr), Vertical Flame Test rated (optional)
- ICEA T-30-520 (70,000 BTU/hr), Vertical Flame Test rated
- XLPE (XHHW-2 rated), 90°C wet/dry
- UV sunlight resistant "SUN RES" (all colors)
- Direct burial rated
- -40°C cold bend rated
- Rated for use in hazardous locations:
 - Class I Zone 2 (Div 2)
 - Class II Zone 20, 21 (Div 1)
 - Class II Zone 22 (Div 2)

600/ 1000 V

Voltage
(1000 V optional)

Color Coding

- 3C - Black, # coded
- Method 4 (optional)

UL Type TC-ER

VFD Power

UL Type TC Tray VFD, Multi-Conductor, 600/1000 V

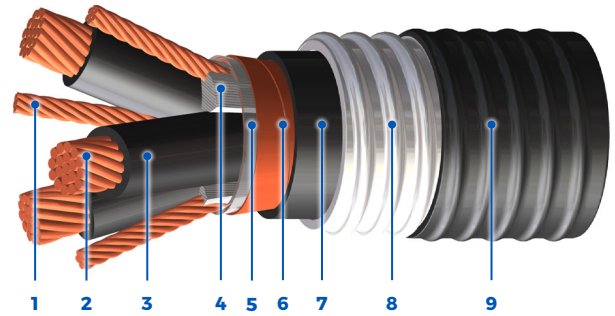
PART NUMBER	NUMBER OF CONDUCTORS	CONDUCTOR SIZE	GROUND WIRE SIZE (UNINSULATED)	NORMAL DIAMETERS OVERALL CABLE	CABLE WEIGHT	AMPACITY	MAX PULLING TENSION (PULLING EYE)	MIN BEND RADIUS (PULL)
		(AWG/kcmil)	(AWG/kcmil)	(in/mm)	(lbs/1000ft) (kg/km)	(30°C ambient)	(lb/kg)	(in/mm)
2C01HU1203003DR	3	12	3 x 16	0.439 / 11.1	166 / 247	30	157 / 71	7.9 / 201
2C01HU1003003DR	3	10	3 x 14	0.500 / 12.7	247 / 368	40	249 / 113	9 / 229
2C01HU0803003DR	3	8	3 x 14	0.657 / 16.7	376 / 560	55	397 / 180	11.8 / 300
2C013U0603003DR	3	6	3 x 12	0.737 / 18.7	524 / 780	75	629 / 285	13.3 / 337
2C013U0403003DR	3	4	3 x 12	0.838 / 21.3	714 / 1063	95	1002 / 454	15.1 / 383
2C013U0203003DR	3	2	3 x 10	1.003 / 25.5	1074 / 1598	130	1593 / 723	18 / 458
2C013U0103403DR	3	1	3 x 10	1.129 / 28.7	1298 / 1932	145	2009 / 911	20.3 / 516
2C013U1/03403DR	3	1/0	3 x 10	1.215 / 30.9	1563 / 2326	170	2534 / 1150	21.9 / 556
2C013U2/03403DR	3	2/0	3 x 10	1.308 / 33.2	1864 / 2773	195	3194 / 1449	23.5 / 598
2C013U3/03403DR	3	3/0	3 x 8	1.418 / 36.0	2301 / 3425	225	4007 / 1818	25.5 / 648
2C013U4/03403DR	3	4/0	3 x 8	1.538 / 39.1	2784 / 4143	260	5078 / 2304	27.7 / 703
2C013U2503603DR	3	250	3 x 8	1.680 / 42.7	3240 / 4821	290	6000 / 2722	30.2 / 768
2C013U3503603DR	3	350	3 x 6	1.961 / 49.8	4538 / 6753	350	8400 / 3810	35.3 / 897
2C013U5003603DR	3	500	3 x 6	2.236 / 56.8	6128 / 9120	430	12000 / 5443	40.3 / 1023
2C013U7503603DR	3	750	3 x 4	2.686 / 68.2	8729 / 12990	535	18000 / 8165	48.3 / 1228

*Ampacity value based on National Electrical Code, Version 2020, Table 310.16. Values are corrected according to Table 310.15(C)(1) for number of Conductors

UL Type MC Armored VFD, Multi-Conductor, 600/1000 V

Shawflex VFD cables are the preferred power cables for AC Drives. These cables are primarily used between Pulse Width Modulation (PWM) inverters and AC motors. Shawflex VFD Tray cables are suitable for use in raceways, including ventilated, non-ventilated, indoor/outdoor and ladder-type cable trays in wet/dry locations and are applicable in Industrial and Processing facilities.

Standards:



- | | |
|--|--|
| 1 - Tri-sectional Grounding Conductors | 6 - Dual Helically Applied Bare/ Tin-coated Copper Tape Shield |
| 2 - Stranded Bare (ASTM B8) Annealed Copper Conductors | 7 - FR PVC Inner Protective Jacket |
| 3 - FR XLPE (XHHW-2 Rated) Insulated Conductors | 8 - Aluminum Interlocked Armor (AIA) (standard) |
| 4 - Polypropylene Fillers | 9 - FR PVC Outer Protective Jacket |
| 5 - Polyester Separator Tape | |

Product Construction

Insulation:

- FR XLPE (XHHW-2 rated) rated: 90°C wet/dry

Shielding:

- Dual helically applied copper tape shield

Armor:

- Aluminum Interlocking Armor (AIA) (standard)
- Steel Interlocking Armor (SIA) (optional)

Jacket:

- FR PVC outer black or yellow jacket (standard) rated: 90°C to -40°C
- Thermoset CPE (optional)
- Thermoplastic CPE (optional)
- Thermoplastic LSZH (optional)

Available in:

- Custom insulation/ jacket colors
- TC-ER (optional)

Certification/Compliances

- UL 1569, Metal Clad Cables (MC)
- UL 44, Thermoset Insulated Wires and Cables
- UL 1685/FT4, Vertical Tray Flame Test rated (optional)
- IEEE 1202/383 (70,000 BTU/hr), Vertical Flame Test rated (optional)
- ICEA T-30-520 (70,000 BTU/hr), Vertical Flame Test rated
- XLPE (XHHW-2 rated), 90°C wet/dry
- UV sunlight resistant "SUN RES" (all colors)

- Direct burial rated
- 40°C cold bend rated
- Rated for use in hazardous locations:
 - Class I Zone 2 (Div 2)
 - Class II Zone 20, 21 (Div 1)
 - Class II Zone 22 (Div 2)

Color Coding

- 3C - Black, # coded
- Method 4 (optional)

600/ 1000 V

Voltage
(1000 V optional)

UL Type MC

VFD Power

UL Type MC Armored VFD, Multi-Conductor, 600/1000 V

PART NUMBER	NUMBER OF CONDUCTORS	CONDUCTOR SIZE	GROUND WIRE SIZE (UNINSULATED)	OD OVER INNER JACKET	NORMAL DIAMETERS		CABLE WEIGHT	AMPACITY	MAX PULLING TENSION (PULLING EYE)	MIN BEND RADIUS (PULL)
					OVER ARMOR	OVERALL CABLE				
		(AWG/ kcmil)	(AWG/ kcmil)	(in/mm)	(in/mm)	(in/mm)	(lbs/1000ft) (kg/km)	(30°C ambient)	(lb/kg)	(in/mm)
2C61HU1203003DR	3	12	3 x 16	0.439 / 11.1	0.678 / 17.2	0.798 / 20.3	386 / 574	30	157 / 71	14.4 / 365
2C61HU1003003DR	3	10	3 x 14	0.500 / 12.7	0.740 / 18.8	0.900 / 22.9	538 / 800	40	249 / 113	16.2 / 412
2C61HU0803003DR	3	8	3 x 14	0.657 / 16.7	0.897 / 22.8	1.057 / 26.9	769 / 1144	55	397 / 180	19 / 483
2C613U0603003DR	3	6	3 x 12	0.737 / 18.7	0.977 / 24.8	1.137 / 28.9	982 / 1462	75	629 / 285	20.5 / 520
2C613U0403003DR	3	4	3 x 12	0.838 / 21.3	1.042 / 26.5	1.202 / 30.5	1256 / 1870	95	1002 / 454	21.6 / 549
2C613U0203003DR	3	2	3 x 10	1.003 / 25.5	1.207 / 30.7	1.367 / 34.7	1755 / 2612	130	1593 / 723	24.6 / 625
2C613U0103403DR	3	1	3 x 10	1.129 / 28.7	1.334 / 33.9	1.493 / 37.9	2125 / 3163	145	2009 / 911	26.9 / 683
2C613U1/03403DR	3	1/0	3 x 10	1.215 / 30.9	1.420 / 36.1	1.579 / 40.1	2498 / 3717	170	2534 / 1150	28.4 / 722
2C613U2/03403DR	3	2/0	3 x 10	1.308 / 33.2	1.512 / 38.4	1.672 / 42.5	2922 / 4348	195	3194 / 1449	30.1 / 764
2C613U3/03403DR	3	3/0	3 x 8	1.417 / 36.0	1.622 / 41.2	1.842 / 46.8	3621 / 5389	225	4007 / 1818	33.1 / 842
2C613U4/03403DR	3	4/0	3 x 8	1.538 / 39.1	1.742 / 44.2	1.962 / 49.8	4296 / 6393	260	5078 / 2304	35.3 / 897
2C613U2503603DR	3	250	3 x 8	1.680 / 42.7	1.985 / 50.4	2.205 / 56.0	5194 / 7730	290	6000 / 2722	39.7 / 1008
2C613U3503603DR	3	350	3 x 6	1.961 / 49.8	2.266 / 57.6	2.486 / 63.2	6960 / 10358	350	8400 / 3810	44.8 / 1137
2C613U5003603DR	3	500	3 x 6	2.236 / 56.8	2.542 / 64.6	2.822 / 71.7	9325 / 13877	430	12000 / 5443	50.8 / 1290
2C613U7503603DR	3	750	3 x 4	2.686 / 68.2	2.991 / 76.0	3.271 / 83.1	13110 / 19509	535	18000 / 8165	58.9 / 1495

*Ampacity value based on National Electrical Code, Version 2020, Table 310.16. Values are corrected according to Table 310.15(C)(1) for number of Conductors

UTILITY

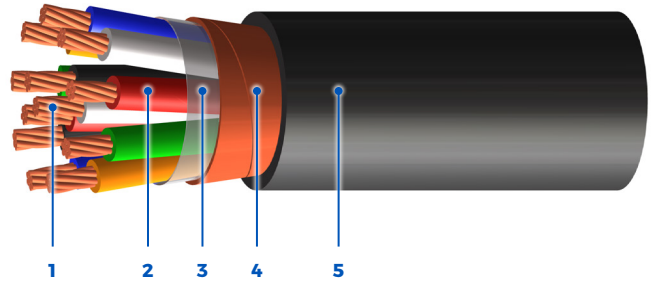
PROVIDING UTILITY WIRE AND CABLE THAT WITHSTAND ENVIRONMENTAL CONDITIONS AND OFFER LONGEVITY

We offer industry-leading quality and reliable Utility control cables. Our large variety of cable configurations and shielding construction make these products ideal for utility applications. A key product used daily in substations, power generation and other utility facilities, our control cables ensure reliable electrical and physical performance for long-term service. In addition, our cables have a proven track record of delivering dependable performance in the most demanding environments.

UTILITY CABLES	69-75
UL Type TC Copper Tape Utility, Multi-Conductor, 600/1000V	70
UL Type TC Tray Control FR-EPR/CPE, Multi-Conductor, 600V	73

UL Type TC Copper Tape Utility, Multi-Conductor, 600/1000 V

Shawflex Utility cables are the ideal choice for applications requiring an extra level of durability and noise protection in utility applications.



1 – Stranded Bare (ASTM B8) Annealed Copper Conductors (Tin-coated Available)

2 – FR XLPE (XHHW-2 Rated) Insulated Conductors

3 – Polyester Separator Tape

4 – Bare/Tin-coated Copper Tape Shield

5 – FR PVC Outer Protective Jacket

Standards:



TC-ER

Product Construction

Insulation:

- FR XLPE (XHHW-2 rated) rated: 90°C wet/dry
- VW-1 rated (optional)

Shielding:

- Copper tape shield (standard)
- Available in various copper tape thickness & configurations
- All types of shields available

Jacket:

- FR PVC outer black jacket rated: 90°C to -40°C
- Thermoset CPE (optional)
- Thermoplastic CPE (optional)
- Thermoplastic LSZH (optional)

Available in:

- Custom insulation/jacket colors
- Composite constructions

Certification/Compliances

- UL 1277, Tray Cable (TC-ER)
- UL 44, Thermoset Insulated Wires and Cables
- UL 1685 FT4, Vertical Tray Flame Test rated
- IEEE 1202/383 (70,000 BTU/hr), Vertical Flame Test rated (optional)
- ICEA T-30-520 (70,000 BTU/hr), Vertical Flame Test rated
- XLPE (XHHW-2 rated), 90°C wet/dry
- UV sunlight resistant "SUN RES" (all colors)
- Direct burial rated
- -40°C cold bend rated
- Rated for use in hazardous locations:
 - Class I Zone 2 (Div 2)
 - Class II Zone 22 (Div 2)

600/ 1000 V

Voltage
(1000 V optional)

Color Coding

- Method K1 & K2 (standard)
- Method 4 (optional)

UL Type TC-ER

Control

UL Type TC Copper Tape Utility, Multi-Conductor, 600/1000 V

PART NUMBER	NUMBER OF CONDUCTORS	CONDUCTOR SIZE	NOMINAL DIAMETER OVERALL CABLE	CABLE WEIGHT	AMPACITY	MAX PULLING TENSION (PULLING EYE)	MIN BEND RADIUS (PULL)
		(AWG/kcmil)	(in/mm)	(lbs/1000ft) (kg/km)	(30°C ambient)	(lb/kg)	(in/mm)
2C01HU140200300	2	14	0.396 / 10.1	104 / 155	25	66 / 30	7.1 / 181
2C01HU140300300	3	14	0.416 / 10.6	123 / 184	25	99 / 45	7.5 / 190
2C01HU140400300	4	14	0.451 / 11.4	148 / 221	20	132 / 60	8.1 / 206
2C01HU140500300	5	14	0.489 / 12.4	171 / 255	20	165 / 75	8.8 / 224
2C01HU140600300	6	14	0.529 / 13.4	199 / 295	20	197 / 90	9.5 / 242
2C01HU140700300	7	14	0.529 / 13.4	212 / 316	17.5	230 / 104	9.5 / 242
2C01HU140800300	8	14	0.599 / 15.2	257 / 382	17.5	263 / 119	10.8 / 274
2C01HU141000300	10	14	0.692 / 17.6	319 / 474	12.5	329 / 149	12.5 / 316
2C01HU141200300	12	14	0.712 / 18.1	356 / 530	12.5	395 / 179	12.8 / 326
2C01HU141400300	14	14	0.746 / 19.0	401 / 597	12.5	461 / 209	13.4 / 341
2C01HU141500300	15	14	0.765 / 19.4	423 / 629	12.5	494 / 224	13.8 / 350
2C01HU142000300	20	14	0.905 / 23.0	571 / 849	12.5	658 / 298	16.3 / 414
2C01HU142500300	25	14	0.998 / 25.4	686 / 1021	11.25	823 / 373	18 / 456
2C01HU143000300	30	14	1.053 / 26.7	783 / 1166	11.25	987 / 448	18.9 / 481
2C01HU144000300	40	14	1.171 / 29.7	990 / 1474	10	1316 / 597	21.1 / 535
2C01HU145000300	50	14	1.296 / 32.9	1202 / 1789	8.75	1645 / 746	23.3 / 592
2C01HU120200300	2	12	0.432 / 11.0	130 / 194	30	104 / 47	7.8 / 198
2C01HU120300300	3	12	0.455 / 11.6	159 / 237	30	157 / 71	8.2 / 208
2C01HU120400300	4	12	0.494 / 12.6	192 / 285	24	209 / 95	8.9 / 226
2C01HU120500300	5	12	0.568 / 14.4	245 / 364	24	261 / 118	10.2 / 260
2C01HU120600300	6	12	0.613 / 15.6	284 / 423	24	313 / 142	11 / 280
2C01HU120700300	7	12	0.613 / 15.6	306 / 456	21	365 / 166	11 / 280
2C01HU120800300	8	12	0.658 / 16.7	343 / 510	21	418 / 189	11.8 / 301
2C01HU121000300	10	12	0.764 / 19.4	423 / 630	15	522 / 237	13.8 / 349
2C01HU121200300	12	12	0.787 / 20.1	480 / 714	15	626 / 284	14.2 / 360
2C01HU121400300	14	12	0.826 / 21.0	540 / 804	15	731 / 331	14.9 / 378
2C01HU121500300	15	12	0.887 / 22.5	605 / 900	15	783 / 355	16 / 406
2C01HU122000300	20	12	1.000 / 25.4	770 / 1146	15	1044 / 474	18 / 457
2C01HU122500300	25	12	1.106 / 28.1	933 / 1388	13.5	1305 / 592	19.9 / 506
2C01HU123000300	30	12	1.168 / 29.7	1074 / 1598	13.5	1566 / 710	21 / 534
2C01HU124000300	40	12	1.302 / 33.1	1369 / 2038	12	2088 / 947	23.4 / 595

*Ampacity value based on National Electrical Code, Version 2020, Table 310.16. Values are corrected according to Table 310.15(C)(1) for number of Conductors.

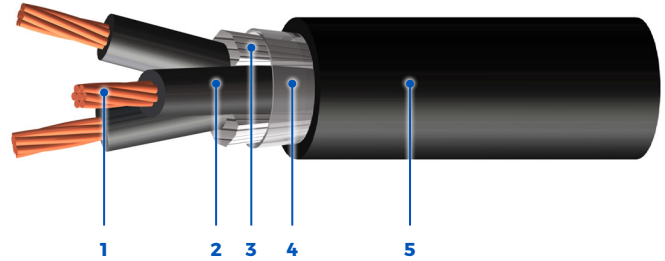
UL Type TC Copper Tape Utility, Multi-Conductor, 600/1000 V

PART NUMBER	NUMBER OF CONDUCTORS	CONDUCTOR SIZE	NOMINAL DIAMETER OVERALL CABLE	CABLE WEIGHT	AMPACITY	MAX PULLING TENSION (PULLING EYE)	MIN BEND RADIUS (PULL)
		(AWG/kcmil)	(in/mm)	(lbs/1000ft) (kg/km)	(30°C ambient)	(lb/kg)	(in/mm)
2C01HU125000300	50	12	1.444 / 36.7	1674 / 2491	10.5	2610 / 1184	26 / 660
2C01HU100200300	2	10	0.482 / 12.2	169 / 251	40	166 / 75	8.7 / 220
2C01HU100300300	3	10	0.508 / 12.9	211 / 314	40	249 / 113	9.2 / 232
2C01HU100400300	4	10	0.584 / 14.8	278 / 413	32	332 / 151	10.5 / 267
2C01HU100500300	5	10	0.635 / 16.1	327 / 486	32	415 / 188	11.4 / 290
2C01HU100600300	6	10	0.688 / 17.5	387 / 575	32	498 / 226	12.4 / 315
2C01HU100700300	7	10	0.688 / 17.5	421 / 627	28	581 / 264	12.4 / 315
2C01HU100800300	8	10	0.741 / 18.8	471 / 701	28	664 / 301	13.3 / 339
2C01HU101000300	10	10	0.904 / 23.0	617 / 918	20	830 / 376	16.3 / 413
2C01HU101200300	12	10	0.930 / 23.6	702 / 1045	20	996 / 452	16.7 / 425
2C01HU101400300	14	10	0.976 / 24.8	795 / 1184	20	1162 / 527	17.6 / 446
2C01HU101500300	15	10	1.001 / 25.4	842 / 1252	20	1245 / 565	18 / 458
2C01HU102000300	20	10	1.133 / 28.8	1081 / 1608	20	1660 / 753	20.4 / 518
2C01HU102500300	25	10	1.256 / 31.9	1313 / 1954	18	2075 / 941	22.6 / 574
2C01HU103000300	30	10	1.328 / 33.7	1524 / 2268	18	2490 / 1129	23.9 / 607
2C01HU104000300	40	10	1.485 / 37.7	1959 / 2915	16	3320 / 1506	26.7 / 679
2C01HU105000300	50	10	1.650 / 41.9	2406 / 3581	14	4150 / 1882	29.7 / 755

*Ampacity value based on National Electrical Code, Version 2020, Table 310.16. Values are corrected according to Table 310.15(C)(1) for number of Conductors.

UL Type TC Tray Control FR-EPR/CPE, Multi-Conductor, 600 V

For use where flame retardance, oil and moisture/chemical resistance are critical. FR EPR cables can be installed in cable tray, free air, in raceways or in direct burial applications



Standards:



TC-ER

1 - Bare Copper Conductors (Tin-coated Available)

2 - FR Ethylene Propylene Rubber (EPR) Insulated Conductors

3 - Polypropylene Fillers

4 - Polyester Separator Tape

5 - Thermoplastic CPE Protective Jacket

Product Construction

Insulation:

- FR EPR (XHHW-2 rated) rated: 90°C wet/dry

Jacket:

- Thermoplastic CPE black outer jacket (standard) rated: 90°C
- Thermoset CPE (optional)

Available in:

- Custom insulation/jacket colors
- Composite constructions
- TC-ER (optional)

Certification/Compliances

- UL 1277, Tray Cable (TC-ER)
- UL 44, Thermoset Insulated Wires and Cables
- UL 1685/FT4, Vertical Tray Flame Test rated
- IEEE 1202/383 (70,000 BTU/hr), Vertical Flame Test rated
- ICEA T-30-520 (70,000 BTU/hr), Vertical Flame Test rated
- EPR (XHHW-2 rated), 90°C wet/dry
- UV sunlight resistant "SUN RES" (all colors)
- Oil Res I & II rated
- Direct burial rated
- 40°C cold bend rated
- Rated for use in hazardous locations:
 - Class I Zone 2 (Div 2)
 - Class II Zone 20, 21 (Div 1)
 - Class II Zone 22 (Div 2)

600 V

Voltage (Optional: 2000 V)

Color Coding

- Method K1 & K2 (standard)
- Method 4 (optional)

UL Type TC-ER

Control

UL Type TC Tray Control FR-EPR/CPE, Multi-Conductor, 600 V

PART NUMBER	NUMBER OF CONDUCTORS	CONDUCTOR SIZE	NOMINAL DIAMETER OVERALL CABLE	CABLE WEIGHT	AMPACITY	MAX PULLING TENSION (PULLING EYE)	MIN BEND RADIUS (PULL)
		(AWG/kcmil)	(in/mm)	(lbs/1000ft) (kg/km)	(30°C ambient)	(lb/kg)	(in/mm)
2M010U140200400	2	14	0.372 / 9.5	75 / 111	25	66 / 30	3.3 / 85
2M010U140300400	3	14	0.392 / 10.0	94 / 140	25	99 / 45	3.5 / 90
2M010U140400400	4	14	0.426 / 10.8	117 / 174	20	132 / 60	3.8 / 97
2M010U140500400	5	14	0.465 / 11.8	138 / 205	20	165 / 75	4.2 / 106
2M010U140600400	6	14	0.505 / 12.8	162 / 241	20	197 / 90	4.5 / 115
2M010U140700400	7	14	0.505 / 12.8	177 / 264	17.5	230 / 104	4.5 / 115
2M010U140800400	8	14	0.575 / 14.6	218 / 325	17.5	263 / 119	5.2 / 131
2M010U141000400	10	14	0.668 / 17.0	270 / 402	12.5	329 / 149	6 / 153
2M010U141200400	12	14	0.688 / 17.5	309 / 460	12.5	395 / 179	6.2 / 157
2M010U141400400	14	14	0.722 / 18.4	352 / 524	12.5	461 / 209	6.5 / 165
2M010U141500400	15	14	0.741 / 18.8	373 / 556	12.5	494 / 224	6.7 / 169
2M010U142000400	20	14	0.841 / 21.4	483 / 719	12.5	658 / 298	7.6 / 192
2M010U142500400	25	14	0.974 / 24.7	628 / 935	11.25	823 / 373	8.8 / 223
2M010U143000400	30	14	1.028 / 26.1	726 / 1081	11.25	987 / 448	9.3 / 235
2M010U144000400	40	14	1.147 / 29.1	933 / 1389	10	1316 / 597	10.3 / 262
2M010U145000400	50	14	1.272 / 32.3	1145 / 1704	8.75	1645 / 746	11.4 / 291
2M010U120200400	2	12	0.408 / 10.4	98 / 146	30	104 / 47	3.7 / 93
2M010U120300400	3	12	0.431 / 10.9	127 / 189	30	157 / 71	3.9 / 98
2M010U120400400	4	12	0.470 / 11.9	157 / 234	24	209 / 95	4.2 / 107
2M010U120500400	5	12	0.514 / 13.1	192 / 285	24	261 / 118	4.6 / 117
2M010U120600400	6	12	0.589 / 15.0	243 / 362	24	313 / 142	5.3 / 135
2M010U120700400	7	12	0.589 / 15.0	267 / 398	21	365 / 166	5.3 / 135
2M010U120800400	8	12	0.634 / 16.1	297 / 442	21	418 / 189	5.7 / 145
2M010U121000400	10	12	0.740 / 18.8	369 / 549	15	522 / 237	6.7 / 169
2M010U121200400	12	12	0.763 / 19.4	426 / 634	15	626 / 284	6.9 / 174
2M010U121400400	14	12	0.802 / 20.4	485 / 722	15	731 / 331	7.2 / 183
2M010U121500400	15	12	0.823 / 20.9	516 / 767	15	783 / 355	7.4 / 188
2M010U122000400	20	12	0.976 / 24.8	709 / 1054	15	1044 / 474	8.8 / 223
2M010U122500400	25	12	1.082 / 27.5	867 / 1290	13.5	1305 / 592	9.7 / 247
2M010U123000400	30	12	1.144 / 29.1	1008 / 1501	13.5	1566 / 710	10.3 / 261
2M010U124000400	40	12	1.278 / 32.5	1305 / 1942	12	2088 / 947	11.5 / 292
2M010U125000400	50	12	1.420 / 36.1	1608 / 2394	10.5	2610 / 1184	12.8 / 325
2M010U100200400	2	10	0.458 / 11.6	132 / 197	40	166 / 75	4.1 / 105

*Ampacity value based on National Electrical Code, Version 2020, Table 310.16. Values are corrected according to Table 310.15(C)(1) for number of Conductors.

UL Type TC Tray Control FR-EPR/CPE, Multi-Conductor, 600 V

PART NUMBER	NUMBER OF CONDUCTORS	CONDUCTOR SIZE	NOMINAL DIAMETER OVERALL CABLE	CABLE WEIGHT	AMPACITY	MAX PULLING TENSION (PULLING EYE)	MIN BEND RADIUS (PULL)
		(AWG/kcmil)	(in/mm)	(lbs/1000ft) (kg/km)	(30°C ambient)	(lb/kg)	(in/mm)
2M010U100300400	3	10	0.484 / 12.3	175 / 260	40	249 / 113	4.4 / 111
2M010U100400400	4	10	0.530 / 13.5	222 / 331	32	332 / 151	4.8 / 121
2M010U100500400	5	10	0.611 / 15.5	284 / 422	32	415 / 188	5.5 / 140
2M010U100600400	6	10	0.664 / 16.9	336 / 500	32	498 / 226	6 / 152
2M010U100700400	7	10	0.664 / 16.9	373 / 555	28	581 / 264	6 / 152
2M010U100800400	8	10	0.717 / 18.2	418 / 622	28	664 / 301	6.5 / 164
2M010U101000400	10	10	0.840 / 21.3	521 / 775	20	830 / 376	7.6 / 192
2M010U101200400	12	10	0.906 / 23.0	639 / 951	20	996 / 452	8.2 / 207
2M010U101400400	14	10	0.952 / 24.2	731 / 1088	20	1162 / 527	8.6 / 218
2M010U101500400	15	10	0.977 / 24.8	776 / 1155	20	1245 / 565	8.8 / 223
2M010U102000400	20	10	1.109 / 28.2	1009 / 1502	20	1660 / 753	10 / 253
2M010U102500400	25	10	1.232 / 31.3	1237 / 1841	18	2075 / 941	11.1 / 282
2M010U103000400	30	10	1.304 / 33.1	1450 / 2158	18	2490 / 1129	11.7 / 298
2M010U104000400	40	10	1.461 / 37.1	1885 / 2805	16	3320 / 1506	13.1 / 334
2M010U105000400	50	10	1.626 / 41.3	2330 / 3468	14	4150 / 1882	14.6 / 372

*Ampacity value based on National Electrical Code, Version 2020, Table 310.16. Values are corrected according to Table 310.15(C)(1) for number of Conductors.

BUILDING WIRE

SINGLE CONDUCTOR POWER DISTRIBUTION CABLE

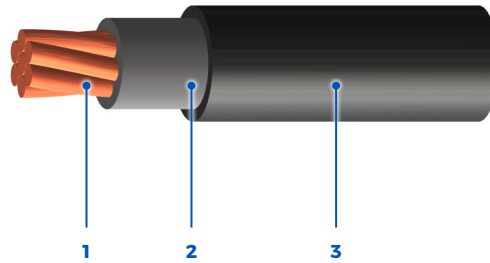
We provide various single conductor cables used for industrial, commercial, and residential buildings and installations for the purpose of power distribution.

BUILDING WIRE.....	76-82
UL HD-RHW-2, Single Conductor, 600V	77
UL XHHW-2, Single Conductor, 600/1000V	79
UL EPR RHW-2, 600V.....	81

UL HD-RHW-2, Single Conductor, 600 V

Heavy Duty provides an extra level of reliability and is suitable for use in ventilated, non-ventilated and ladder type cable trays, direct burial and raceways. Applicable for use in Utilities, Industrial and Commercial applications.

Standards:



1 - High Strand Bare Copper Conductors (Tin-coated Available)

2 - Ethylene Propylene Rubber (EPR) (RHW-2 Rated) Insulated Conductor

3 - Thermoplastic CPE Protective Jacket

Product Construction

Insulation:

- EPR (RHW-2 rated) rated: 90°C wet/dry

Jacket:

- Thermoplastic CPE black outer jacket (standard) rated: 90°C

Available in:

- Custom insulation/jacket colors

Certification/Compliances

- UL 44, Thermoset Insulated Wires and Cables
- UL 1685/ FT4, Vertical Tray Flame Test rated
- IEEE 1202/383 (70,000 BTU/hr), Vertical Flame Test rated
- ICEA T-30-520 (70,000 BTU/hr), Vertical Flame Test rated
- EPR (RHW-2 rated), 90°C wet/dry
- UV sunlight resistant "SUN RES" (all colors)
- -40°C cold bend rated
- Rated for use in hazardous locations:
 - Class I Zone 2 (Div 2)
 - Class II Zone 20, 21 (Div 1)
 - Class II Zone 22 (Div 2)

600 V

Voltage
(Optional: 2000 V)

UL Type RHW-2

Power

Color Coding

- Black conductors (standard)

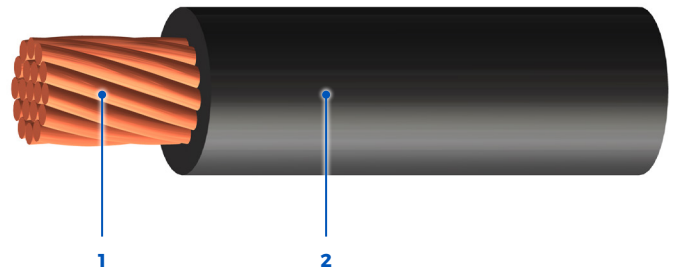
UL HD-RHW-2, Single Conductor, 600 V

PART NUMBER	NUMBER OF CONDUCTORS	CONDUCTOR SIZE	NOMINAL DIAMETER OVERALL CABLE	CABLE WEIGHT	AMPACITY	MAX PULLING TENSION (PULLING EYE)	MIN BEND RADIUS (PULL)
		(AWG/kcmil)	(in/mm)	(lbs/1000ft) (kg/km)	(30°C ambient)	(lb/kg)	(in/mm)
2Q010U140100400	1	14	0.205 / 5.2	30 / 44	25	33 / 15	1.8 / 47
2Q010U120100400	1	12	0.223 / 5.6	40 / 59	30	52 / 24	2.0 / 51
2Q010U100100400	1	10	0.248 / 6.3	55 / 81	40	83 / 38	2.2 / 57
2Q010U080100400	1	8	0.337 / 8.6	94 / 140	55	132 / 60	3.0 / 77
2Q010U060100400	1	6	0.374 / 9.5	130 / 194	75	210 / 95	3.4 / 85
2Q010U040100400	1	4	0.421 / 10.7	188 / 279	95	334 / 151	3.8 / 96
2Q010U030100400	1	3	0.448 / 11.4	230 / 342	115	421 / 191	4.0 / 102
2Q010U020100400	1	2	0.479 / 12.2	274 / 408	130	531 / 241	4.3 / 109
2Q010U010140400	1	1	0.588 / 14.9	374 / 557	145	670 / 304	5.3 / 134
2Q010U1/0140400	1	1/0	0.628 / 16.0	454 / 676	170	845 / 383	5.7 / 144
2Q010U2/0140400	1	2/0	0.671 / 17.0	550 / 819	195	1065 / 483	6.0 / 153
2Q010U3/0140400	1	3/0	0.722 / 18.3	671 / 998	225	1336 / 606	6.5 / 165
2Q010U4/0140400	1	4/0	0.778 / 19.8	825 / 1228	260	1693 / 768	7.0 / 178
2Q010U250160400	1	250	0.894 / 22.7	1006 / 1497	290	2000 / 907	8.0 / 204
2Q010U300160400	1	300	0.947 / 24.1	1182 / 1760	320	2400 / 1089	8.5 / 216
2Q010U350160400	1	350	0.997 / 25.3	1345 / 2001	350	2800 / 1270	9.0 / 228
2Q010U500160400	1	500	1.125 / 28.6	1843 / 2743	430	4000 / 1814	10.1 / 257
2Q010U750160400	1	750	1.334 / 33.9	2709 / 4032	535	6000 / 2722	12.0 / 305

*Ampacity value based on National Electrical Code, Version 2020, Table 310.16.

UL XHHW-2, Single Conductor, 600/1000 V

For use in open wiring and raceways (with the exception of cable troughs and ventilated flexible cableways) in dry or wet locations. For open wiring exposed to the weather. Maximum conductor temperature 90°C.



1 - Strand Bare (ASTM B8) Annealed Copper Conductors

2 - FR XLPE (XHHW-2/VW-1 Rated) Insulated Conductor

Standards:



Product Construction

Insulation:

- FR XLPE (XHHW-2/VW-1 rated) (standard) rated: 90°C wet/dry
- FR XLPE (RHW-2 rated) (optional)

Available in:

- Other colors

Certification/Compliances

- UL 44, Thermoset Insulated Wires and Cables
- Gasoline Resistant GR I and II
- Oil Resistant PR I and II
- - 40°C cold impact rated
- - 40°C cold bend rated

Color Coding

- Black conductors (standard)

600/ 1000 V

Voltage
(1000 V optional)

UL Type XHHW-2

Power

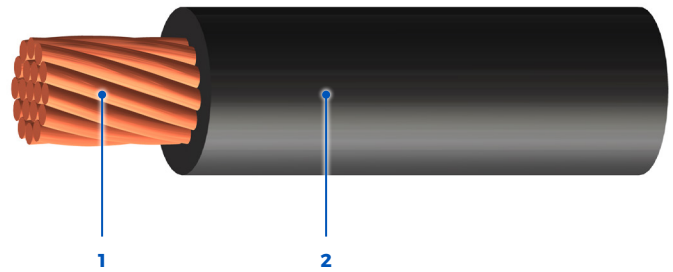
UL XHHW-2, Single Conductor, 600/1000 V

PART NUMBER	NUMBER OF CONDUCTORS	CONDUCTOR SIZE	INSULATION THICKNESS	CABLE WEIGHT	AMPACITY	MAX PULLING TENSION (PULLING EYE)	MIN BEND RADIUS (PULL)
		(AWG/kcmil)	(in/mm)	(lbs/1000ft) (kg/km)	(30°C ambient)	(lb/kg)	(in/mm)
1V010U14010BN00	1	14	0.030 / 0.76	18 / 27	35	33 / 15	1.2 / 30
1V010U12010BN00	1	12	0.030 / 0.76	27 / 40	40	52 / 24	1.4 / 35
1V010U10010BN00	1	10	0.030 / 0.76	40 / 59	55	83 / 38	1.6 / 40
1V010U08010BN00	1	8	0.045 / 1.14	68 / 101	80	132 / 60	2.1 / 54
1V010U06010BN00	1	6	0.045 / 1.14	101 / 151	105	210 / 95	2.4 / 62
1V010U04010BN00	1	4	0.045 / 1.14	154 / 230	140	334 / 151	2.9 / 73
1V010U02010BN00	1	2	0.045 / 1.14	237 / 352	190	531 / 241	3.4 / 86
1V010U01014BN00	1	1	0.055 / 1.40	300 / 447	220	670 / 304	3.9 / 100
1V010U1/014BN00	1	1/0	0.055 / 1.40	374 / 556	260	845 / 383	4.3 / 109
1V010U2/014BN00	1	2/0	0.055 / 1.40	464 / 691	300	1065 / 483	4.7 / 119
1V010U3/014BN00	1	3/0	0.055 / 1.40	579 / 861	350	1336 / 606	5.1 / 130
1V010U4/014BN00	1	4/0	0.055 / 1.40	722 / 1074	405	1693 / 768	5.6 / 143
1V010U25016BN00	1	250	0.065 / 1.65	845 / 1257	455	2000 / 907	6.2 / 158
1V010U35016BN00	1	350	0.065 / 1.65	1166 / 1735	570	2800 / 1270	7.2 / 182
1V010U50016BN00	1	500	0.065 / 1.65	1644 / 2446	700	4000 / 1814	8.3 / 211
1V010U75016BN00	1	750	0.080 / 2.03	2466 / 3670	885	6000 / 2722	10.2 / 259

*Ampacity value based on National Electrical Code, Version 2020, Table 310.17.

UL EPR RHW-2, Single Conductor, 600 V

For use in open wiring and raceways (with the exception of cable troughs and ventilated flexible cableways) in dry or wet locations. For open wiring exposed to the weather. Maximum conductor temperature 90°C.



1 - Strand Bare (ASTM B8) Annealed Copper Conductors

2 - EPR (RHW-2 Rated) Insulated Conductor

Standards:



Product Construction

Insulation:

- EPR (RHW-2 rated) (standard) rated: 90°C wet/dry

Available in:

- All colors

Certification/Compliances

- UL 44, Thermoset Insulated Wires and Cables
- IEEE 1202/383 (70,000 BTU/hr), Vertical Flame Test rated (1/0 & larger)
- CT Use (1/0 and larger)

Color Coding

- Black conductors (standard)

600 V

Voltage

UL Type RHW-2

Power

UL EPR RHW-2, Single Conductor, 600 V

PART NUMBER	NUMBER OF CONDUCTORS	CONDUCTOR SIZE	INSULATION THICKNESS	CABLE WEIGHT	AMPACITY	MAX PULLING TENSION (PULLING EYE)	MIN BEND RADIUS (PULL)
		(AWG/kcmil)	(in/mm)	(lbs/1000ft) (kg/km)	(30°C ambient)	(lb/kg)	(in/mm)
1Q010U14010BN00	1	14	0.045 / 1.14	23 / 34	35	33 / 15	1.5 / 37
1Q010U12010BN00	1	12	0.045 / 1.14	32 / 47	40	52 / 24	1.6 / 41
1Q010U10010BN00	1	10	0.045 / 1.14	46 / 68	55	83 / 38	1.9 / 47
1Q010U08010BN00	1	8	0.060 / 1.52	76 / 113	80	132 / 60	2.4 / 61
1Q010U06010BN00	1	6	0.060 / 1.52	111 / 165	105	210 / 95	2.7 / 69
1Q010U04010BN00	1	4	0.060 / 1.52	165 / 246	140	334 / 151	3.1 / 80
1Q010U02010BN00	1	2	0.060 / 1.52	250 / 372	190	531 / 241	3.7 / 93
1Q010U01014BN00	1	1	0.080 / 2.03	325 / 483	220	670 / 304	4.4 / 111
1Q010U1/014BN00	1	1/0	0.080 / 2.03	400 / 595	260	845 / 383	4.7 / 120
1Q010U2/014BN00	1	2/0	0.080 / 2.03	493 / 734	300	1065 / 483	5.1 / 130
1Q010U3/014BN00	1	3/0	0.080 / 2.03	611 / 909	350	1336 / 606	5.6 / 142
1Q010U4/014BN00	1	4/0	0.080 / 2.03	757 / 1126	405	1693 / 768	6.1 / 155
1Q010U25016BN00	1	250	0.095 / 2.41	890 / 1325	455	2000 / 907	6.8 / 172
1Q010U35016BN00	1	350	0.095 / 2.41	1218 / 1812	570	2800 / 1270	7.7 / 195
1Q010U50016BN00	1	500	0.095 / 2.41	1704 / 2536	700	4000 / 1814	8.8 / 225
1Q010U75016BN00	1	750	0.110 / 2.79	2541 / 3782	885	6000 / 2722	10.7 / 272

*Ampacity value based on National Electrical Code, Version 2020, Table 310.17.



PRODUCT WHEN YOU NEED IT, HOW YOU NEED IT

Trusted manufacturer of engineered wire, cable and assemblies products.

**To know more about our product and service capabilities,
contact our team of experts today!**

Head Office

25 Bethridge Rd.
Toronto, ON M9W 1M7, Canada

Tel: +1-416-743-7111

Email: info@shawflex.com

www.shawflex.com