



Canadian Wire and Cable Products





CONTENT

- About Shawflex 5**
- Technical Expertise and Service Quality..... 7**
- Markets Served..... 9**
- Custom Cable Design..... 10**

- INSTRUMENTATION 12-27**
 - CSA ACIC Armoured Instrumentation, 300V13
 - CSA ACIC Armoured Instrumentation, 600V16
 - CSA ACIC Unarmoured Tray Instrumentation, 300V19
 - CSA ARMCON, Armoured Multi-Conductor, 600V22
 - CSA ACIC Armoured Fieldbus/Profibus PA, 300/600V24
 - CSA Unarmoured Tray Fieldbus/Profibus PA, 300/600V26

- TRAY POWER/CONTROL 28-41**
 - CSA Unarmoured Tray Control, Multi-Conductor, 600V29
 - CSA Unarmoured Tray Power, Multi-Conductor, 1000V32
 - CSA Unarmoured Tray Power, Single Conductor, 1000V35
 - CSA Safe-T-Ground, Green/Stripes, Single Conductor, 1000V37
 - CSA Utility Unarmoured Power & Control, Multi-Conductor, 1000V40

- TECK 90 POWER/CONTROL.....42-67**
 - CSA TECK90 Armoured Control, Multi-Conductor, 600V43
 - CSA TECK90 Armoured Control, Multi-Conductor, 1000V46
 - CSA TECK90 Armoured Power, Single-Conductor, 1000V49
 - CSA TECK90 Armoured Power, Multi-Conductor, 1000V51
 - CSA TECK90 Armoured Power, Single-Conductor, 5000V, Unshielded.....54
 - CSA TECK90 Armoured Power, Single-Conductor, 5000V, Shielded56
 - CSA TECK90 Armoured Power, Multi-Conductor, 5000V, Unshielded.....58
 - CSA TECK90 Armoured Power, Multi-Conductor, 5000V, Shielded60
 - CSA Riser TECK 90 Armoured Mineshaft Cables, 1000V.....62
 - CSA Type TECK 90 Armoured Mineshaft Cables, 5000V, Unshielded.....64
 - CSA Riser TECK 90 Armoured Mineshaft Cables, 5000V, Shielded.....66

THERMOCOUPLE.....	68-72
CSA ACIC Armoured Thermocouple Extension, 300V	69
CSA Unarmoured Tray Thermocouple Extension, 300V.....	71
LOW SMOKE ZERO HALOGEN (LSZH).....	73-94
CSA LSZH Unarmoured Tray Instrumentation, 300V	74
CSA LSZH Unarmoured Tray Control, Multi-Conductor, 300V.....	77
CSA LSZH Unarmoured Tray Control, Multi-Conductor, 600V	80
CSA LSZH ACIC Armoured Control, Multi-Conductor, 600V	83
CSA LSZH ACIC Armoured Power, Multi-Conductor, 1000V	87
CSA LSZH Unarmoured Tray Power, Multi-Conductor, 1000V.....	89
CSA LSZH ACIC Armoured Control, Multi-Conductor, 1000V	92
BUILDING WIRE	95-101
CSA RW90, Single Conductor, 600V.....	96
CSA RW90, Single Conductor, 1000V	98
CSA RWU90, Single Conductor, 1000V	100
VFD CABLES.....	102-106
CSA Unarmoured Tray VFD, Multi-Conductor, 1000V.....	103
CSA Armoured VFD, Multi-Conductor, 1000V.....	105

Custom Engineered Wire, Cable and Assemblies.

MAKE THE RIGHT CONNECTIONS WITH SHAWFLEX CUSTOM ENGINEERED WIRE, CABLE AND ASSEMBLIES.

Shawflex is committed to leading the industry with innovative solutions that are proven, dependable and tested to the highest standards and precisely manufactured to your specifications. We are the market leader and a trusted brand, providing solutions from common to custom. We offer complete electrical solutions from instrumentation, control, and low-voltage power cables to wire termination and custom connectors.

With more than 60+ Years of manufacturing experience, we have built and maintained a reputation of excellence for our customers in North America.

STAYING CURRENT WITH CUSTOMER NEEDS IS HOW WE SECURE OUR PLACE IN THE MARKET.

At Shawflex, we manufacture both **run-to-order** and **engineered-to-order**.

Our run-to-order products are available from our extensive catalogue of standard constructions.

For engineered-to-order cables, our highly skilled technical team will partner with you to interpret performance criteria, determine innovative solutions, and optimize cable capabilities while ensuring the cable meets all safety and specification requirements.



60+

years of manufacturing

14,000

unique parts manufactured

35+

countries where products
are sold

167 billion

cable design possibilities

Technical Expertise

LEADERSHIP IN INNOVATION DEPENDS ON SUPERIOR TECHNOLOGY AND DEDICATED PEOPLE.

Shawflex is committed to leading the industry with innovative solutions that are proven, dependable, tested to the highest standards, and precisely manufactured to your specifications.

At the heart of our commitment to our customers is our Solutions Development Team. They are dedicated to constantly push the boundaries of materials technologies, complex manufacturing techniques and custom testing programs. The Solutions Development Team designs products & services that are safer, more reliable, and more innovative to ensure they meet the highest standards for our customers' applications.

WE HAVE BEEN RECOGNIZED AND PRAISED AS A TOP LEAN MANUFACTURING FACILITY.

At Shawflex, we follow an industry-leading continuous improvement program integrating elements of six sigma, world-class manufacturing systems, company experience, strong leadership, and engaged employees. We have been able to drive excellence and reduce inefficiencies in both our manufacturing and business processes resulting in expedited service and quality product.

COMMITTED TO COMPLETE CUSTOMER SATISFACTION.

It all starts with your first contact with our sales or technical support teams. With an outstanding Inside Sales Support Team and dedicated market wise Sales Managers, we have an experienced team ready to help you with all your wire, cable, and assembly needs.

Service Quality

PRODUCT WHEN YOU NEED IT, HOW YOU NEED IT

To meet our customers' needs, our first promise is to meet your timeline. We do this through inventory, customer supply chain programs, and some of the shortest lead times in the industry.

We also meet your needs for:

- Quick turnaround on quotes
- Customized designs for specific project requirements
- Low minimum order quantities
- Reliable delivery, custom packaging
- Products manufactured to the highest quality standards
- Customer-focused testing
- Complete documentation and reporting

We demonstrate our commitment to quality and continuous improvement by meeting and exceeding our customer expectations—delivering superior quality and integrated solutions on time and on budget.



Markets Served

We serve multiple industries around the world providing solutions from space to sea.



Nuclear Power



Communications



Aerospace & Defense



Renewable Energy



EV infrastructure



Marine & Shipboard



Mining



Transit & Railway



Industrial & Commercial



Utilities



Custom Cable Solutions

Custom Cable Design

MEETING OUR CUSTOMERS' NEEDS FROM COMMON TO CUSTOM

Shawflex is uniquely positioned as both a run-to-order and an engineered-to-order wire and cable company. Our run-to-order products are available from our extensive catalogue of standard constructions/items.

For Shawflex engineered to order cables, our highly skilled technical team will work with you to interpret performance criteria, determine innovative solutions and optimize cable capabilities while ensuring the cable meets all applicable safety and specification requirements.

1 Conductor Wire

Enables the transmission of electrical power or signal.

- 22 AWG - 2000 kcmil
- Bare copper
- Tin-coated copper
- Aluminum alloy
- Solid or stranded
- Flexible or extra flexible stranded
- Thermocouple extension alloys
- Metric sizes available
- Custom designs available

2 Insulation

Designed to withstand voltage stress and prevent short circuit conditions over its expected lifetime.

- Cable voltage ratings: 150V to 5000V
- UL, CSA or ICEA standard approved materials
- PVC
- PVC/Nylon
- PE (polyethylene)
- TPE (thermoplastic elastomer)
- XLPE
- EPR
- Halogen free
- Specified as per temperature rating

3 Hose/Tube

Permits the transfer of fluid under various temperature and pressure conditions.

4 Armoring

Protects the cable core from mechanical damage.

- UL/CSA aluminum interlocked armour
- UL/CSA steel interlocked armour
- UL/CSA steel wire armour
- Braid Armored: tin-coated copper, aluminum, bronze
- Bronze tape

5 Jacketing

Provides mechanical, chemical, environmental, and electrical protection of the cable core.

- UL, CSA or ICEA standard approved materials
- FR PVC
- PE (polyethylene)
- CPE (chlorinated polyethylene, thermoset and thermoplastic options available)
- TPE (thermoplastic elastomer)
- LSZH (low-smoke zero halogen, thermoset and thermoplastic options available)
- FR Polyurethane
- FR XLPO
- Meter/foot marking
- Colour striping options available
- Colour options available
- Specialty engineered compounds for sunlight resistance, oil resistance, lower temperature performance, low acid gas and radiation resistance

6 Shielding

Reflects signal interference and picks up noise and conducts it to ground.

- Aluminum/polyester tape with tin-coated copper drain wire, OS and/or over each cable subcomponent
- Helically applied copper tape
- Corrugated longitudinally applied copper tape
- Tin-coated copper braided shield
- Specialty tapes such as copper/polyester

7 Strength Member

Provides tensile strength for vertical installation.

- Steel rope
- Inner ribbed jacket or hi-tensile strength pulling members

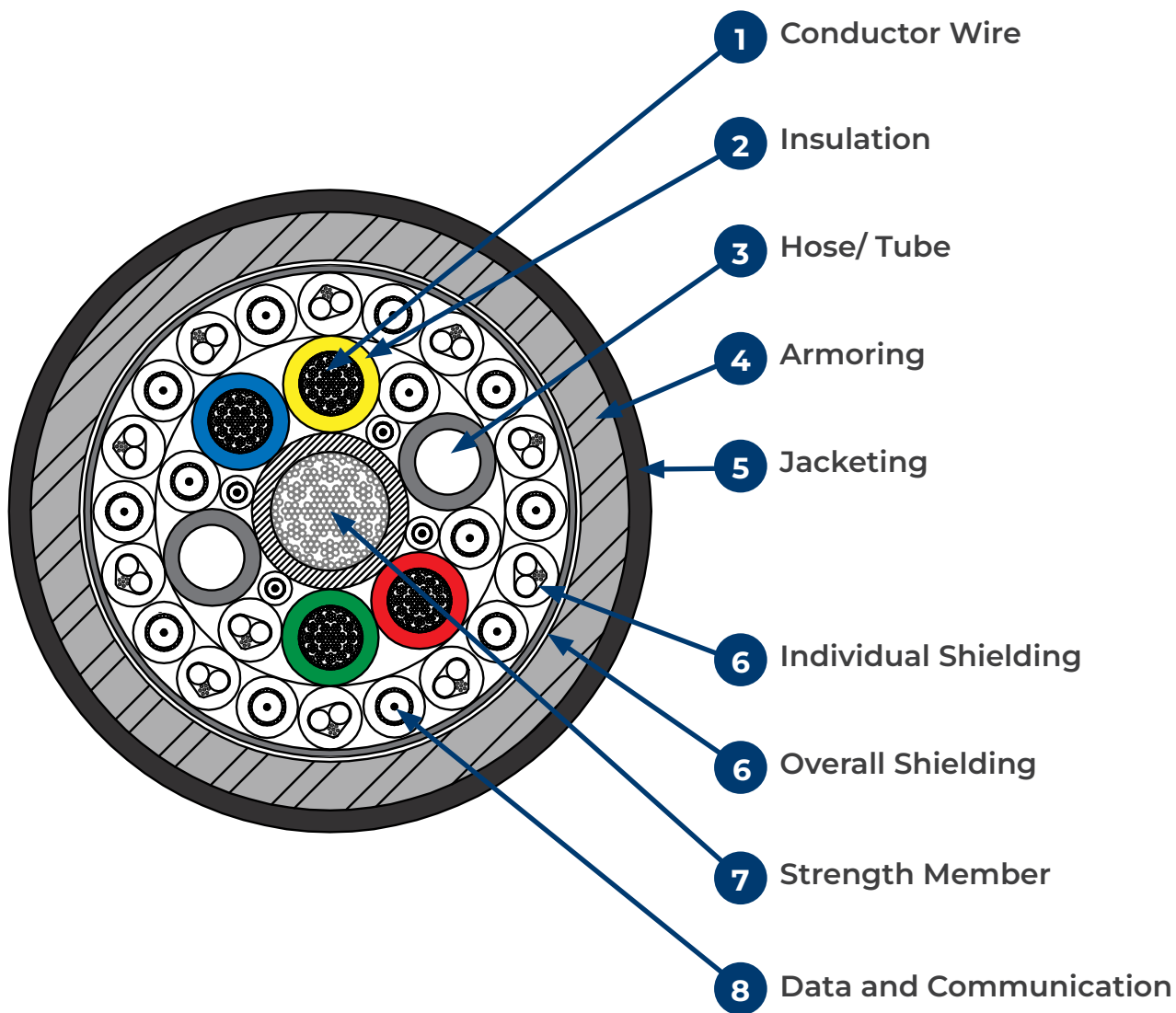
8 Data and Communication

Integration of different types of data and communication cables.

- Fiber optic
- Coaxial cable
- Category cable

Other Capabilities

- Colour coding
- Insulation colour stripe
- Special printing
- Special cable packaging
- Electron beam irradiation



INSTRUMENTATION

PROVIDING PROTECTION FROM NOISE, CROSSTALK AND COMMON MODE INTERFERENCES

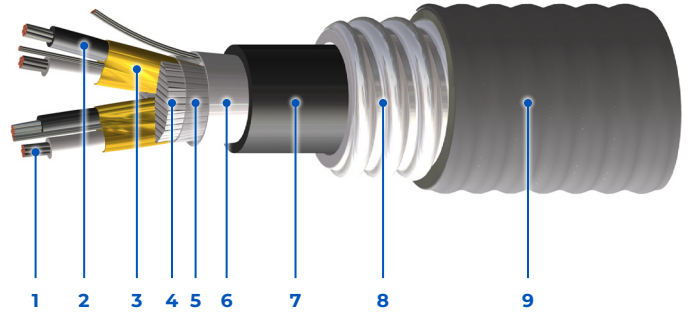
Instrumentation cable can be used to convey analogue or digital signals. Cables can be installed in raceways, direct burial applications and in outdoor exposed industrial applications. Both armoured and unarmoured configurations are available.

- INSTRUMENTATION 12-27**
- CSA ACIC Armoured Instrumentation, 300V13
- CSA ACIC Armoured Instrumentation, 600V16
- CSA ACIC Unarmoured Tray Instrumentation, 300V19
- CSA ARMCON, Armoured Multi-Conductor, 600V22
- CSA ACIC Armoured Fieldbus/Profibus PA, 300/600V24
- CSA Unarmoured Tray Fieldbus/Profibus PA, 300/600V26

CSA ACIC Armoured Instrumentation, 300 V

Armoured Instrumentation cables can be used to minimize noise and signal interference by preventing crosstalk between pairs and triads. This cable can also be used to convert analogue or digital signals. Tray Instrumentation cables can be installed in raceways, direct burial applications and in outdoor exposed industrial applications.

Standards:



- | | |
|--|---|
| 1 – Stranded Bare Copper Conductors (Tin-coated Available) | 6 – Overall Aluminum/Mylar Shield with Tin-coated Copper Drain Wire |
| 2 – XLPE (RW90 Rated) Insulated Conductors | 7 – FR LAG PVC Inner Protective Jacket |
| 3 – Individual Shield & Overall Shielded Pairs/Triads | 8 – Aluminum Interlocked Armour (AIA) |
| 4 – Polypropylene Fillers | 9 – FR LAG PVC Outer Protective Jacket |
| 5 – Polyester Separator Tape | |

Product Construction

Insulation:

- FR XLPE/XLPE (RW90 rated) (standard) rated: 90°C wet/105°C dry
- PVC (optional)

Shielding (foil-free edge):

- ISOS (standard)
- OS (optional)

Armour:

- Aluminum Interlocked Armour (AIA) (standard)
- Steel Interlocked Armour (SIA) (optional)
- Serve Wire Armour (SIA) (optional)

Jacket:

- FR LAG PVC (AG14 rated) inner black jacket rated: 90°C to -40°C
- FR LAG PVC (AG14 rated) outer grey jacket rated: 90°C to -40°C

Available in:

- Copper taper or braided shield
- Custom colour coding
- Custom insulation/jacket colours
- Composite constructions

Certification/Compliances

- CSA C22.2 NO. 239, Control & Instrumentation Cables (Type ACIC)
- CSA C22.2 NO. 174, Cables & Cable Glands for use in Hazardous Locations
- CSA C22.2 NO. 38, Thermoset Insulated Wires & Cables (XLPE)
- CSA FT4, UL 1685 FT4, Vertical Tray Flame Test rated
- IEEE 383 & 1202 (70,000 BTU/hr), Vertical Flame Test rated
- ICEA T-30-520 (70,000 BTU/hr), Vertical Flame Test rated

- XLPE (RW90 rated), 90°C wet/105°C dry
- UV sunlight resistant "SUN RES" (all colours)
- Direct burial rated
- 40°C cold bend/impact rated
- HL rated for use in hazardous locations:
 - Class 1 Zone 0 (Intrinsically Safe cables only)
 - Class I Zone 1 (Div 1)
 - Class I Zone 2 (Div 2)
 - HL-BCD gas groups rated

Colour Coding

- Pairs – Black, & white, with black printing on white (standard)
- Triads – Black, white & red, with black printing on white (standard)

300 V

Voltage (Optional: 600/1000 V)

CSA Type ACIC

Instrumentation

CSA ACIC Armoured Instrumentation, 300 V

Pairs

PART NUMBER	NUMBER OF PAIRS	CONDUCTOR SIZE <i>(AWG/kcmil)</i>	OD OVER INNER JACKET <i>(in/mm)</i>	NORMAL DIAMETERS		CABLE WEIGHT <i>(lbs/1000ft) (kg/km)</i>	MAX PULLING TENSION (PULLING EYE) <i>(lb/kg)</i>	MIN BEND RADIUS (PULL) <i>(in/mm)</i>
				OVER ARMOUR <i>(in/mm)</i>	OVERALL CABLE <i>(in/mm)</i>			
64221M160118700	1	16	0.299 / 7.6	0.539 / 13.7	0.651 / 16.5	168 / 251	41 / 19	11.7 / 298
64222M160218700	2	16	0.448 / 11.4	0.688 / 17.5	0.800 / 20.3	259 / 385	82 / 37	14.4 / 366
64222M160418700	4	16	0.552 / 14.0	0.792 / 20.1	0.904 / 23.0	343 / 511	165 / 75	16.3 / 413
64222M160618700	6	16	0.662 / 16.8	0.902 / 22.9	1.014 / 25.8	438 / 651	247 / 112	18.3 / 464
64222M160818700	8	16	0.719 / 18.3	0.959 / 24.4	1.071 / 27.2	508 / 756	330 / 150	19.3 / 490
64222M161218700	12	16	0.911 / 23.2	1.151 / 29.2	1.263 / 32.1	751 / 1117	494 / 224	22.7 / 578
64222M161618700	16	16	1.016 / 25.8	1.256 / 31.9	1.368 / 34.8	893 / 1329	659 / 299	24.6 / 625
64222M162418700	24	16	1.263 / 32.1	1.503 / 38.2	1.615 / 41.0	1207 / 1797	989 / 449	29.1 / 738
64222M163618700	36	16	1.456 / 37.0	1.696 / 43.1	1.828 / 46.4	1623 / 2416	1483 / 673	32.9 / 836
64221M180118700	1	18	0.275 / 7.0	0.515 / 13.1	0.627 / 15.9	154 / 229	26 / 12	11.3 / 287
64222M180218700	2	18	0.409 / 10.4	0.649 / 16.5	0.761 / 19.3	230 / 342	52 / 24	13.7 / 348
64222M180418700	4	18	0.478 / 12.1	0.718 / 18.2	0.830 / 21.1	279 / 416	104 / 47	14.9 / 379
64222M180618700	6	18	0.602 / 15.3	0.842 / 21.4	0.954 / 24.2	373 / 555	156 / 71	17.2 / 436
64222M180818700	8	18	0.653 / 16.6	0.893 / 22.7	1.005 / 25.5	426 / 633	208 / 94	18.1 / 459
64222M181218700	12	18	0.795 / 20.2	1.035 / 26.3	1.147 / 29.1	594 / 884	312 / 142	20.6 / 524
64222M181618700	16	18	0.920 / 23.4	1.160 / 29.5	1.272 / 32.3	737 / 1096	416 / 189	22.9 / 582
64222M182418700	24	18	1.139 / 28.9	1.379 / 35.0	1.492 / 37.9	983 / 1463	624 / 283	26.8 / 682
64231M160118700	1	16	0.315 / 8.0	0.555 / 14.1	0.667 / 16.9	184 / 274	62 / 28	12 / 305
64232M160218700	2	16	0.511 / 13.0	0.751 / 19.1	0.863 / 21.9	305 / 454	124 / 56	15.5 / 395
64232M160418700	4	16	0.628 / 16.0	0.868 / 22.0	0.980 / 24.9	416 / 620	247 / 112	17.6 / 448
64232M160618700	6	16	0.756 / 19.2	0.997 / 25.3	1.109 / 28.2	542 / 807	371 / 168	20 / 507
64232M160818700	8	16	0.855 / 21.7	1.095 / 27.8	1.207 / 30.7	718 / 1068	494 / 224	21.7 / 552
64232M161218700	12	16	1.042 / 26.5	1.281 / 32.6	1.393 / 35.4	948 / 1411	742 / 336	25.1 / 637
64232M161618700	16	16	1.164 / 29.6	1.404 / 35.7	1.516 / 38.5	1141 / 1698	989 / 449	27.3 / 693
64232M162418700	24	16	1.451 / 36.9	1.691 / 43.0	1.823 / 46.3	1602 / 2384	1483 / 673	32.8 / 834
64222M203618700	36	20	1.071 / 27.2	1.311 / 33.3	1.423 / 36.1	953 / 1419	576 / 261	25.6 / 651

CSA ACIC Armoured Instrumentation, 300 V

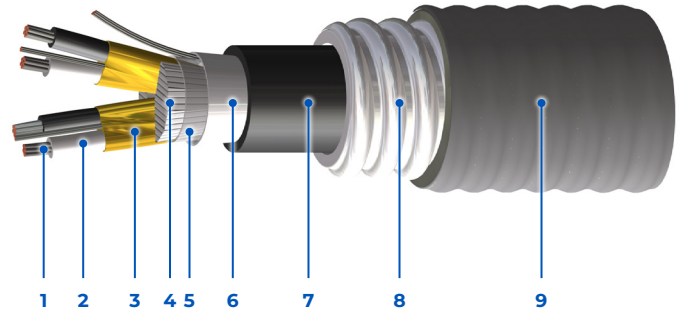
Triads

PART NUMBER	NUMBER OF TRIADS	CONDUCTOR SIZE (AWG/kcmil)	OD OVER INNER JACKET (in/mm)	NORMAL DIAMETERS		CABLE WEIGHT (lbs/1000ft) (kg/km)	MAX PULLING TENSION (PULLING EYE) (lb/kg)	MIN BEND RADIUS (PULL) (in/mm)
				OVER ARMOUR (in/mm)	OVERALL CABLE (in/mm)			
64231M160118700	1	16	0.315 / 8.0	0.555 / 14.1	0.667 / 16.9	184 / 274	62 / 28	12 / 305
64232M160218700	2	16	0.511 / 13.0	0.751 / 19.1	0.863 / 21.9	305 / 454	124 / 56	15.5 / 395
64232M160418700	4	16	0.628 / 16.0	0.868 / 22.0	0.980 / 24.9	416 / 620	247 / 112	17.6 / 448
64232M160618700	6	16	0.756 / 19.2	0.997 / 25.3	1.109 / 28.2	542 / 807	371 / 168	20 / 507
64232M160818700	8	16	0.855 / 21.7	1.095 / 27.8	1.207 / 30.7	718 / 1068	494 / 224	21.7 / 552
64232M161218700	12	16	1.042 / 26.5	1.281 / 32.6	1.393 / 35.4	948 / 1411	742 / 336	25.1 / 637
64232M161618700	16	16	1.164 / 29.6	1.404 / 35.7	1.516 / 38.5	1141 / 1698	989 / 449	27.3 / 693
64232M162418700	24	16	1.451 / 36.9	1.691 / 43.0	1.823 / 46.3	1602 / 2384	1483 / 673	32.8 / 834
64231M180118700	1	18	0.289 / 7.3	0.529 / 13.4	0.641 / 16.3	166 / 246	39 / 18	11.5 / 293
64232M180218700	2	18	0.464 / 11.8	0.704 / 17.9	0.816 / 20.7	265 / 394	78 / 35	14.7 / 373
64232M180418700	4	18	0.571 / 14.5	0.811 / 20.6	0.923 / 23.4	352 / 523	156 / 71	16.6 / 422
64232M180618700	6	18	0.685 / 17.4	0.925 / 23.5	1.037 / 26.3	449 / 668	234 / 106	18.7 / 474
64232M180818700	8	18	0.744 / 18.9	0.984 / 25.0	1.096 / 27.8	520 / 774	312 / 142	19.7 / 501
64231M160118700	1	16	0.315 / 8.0	0.555 / 14.1	0.667 / 16.9	184 / 274	62 / 28	12 / 305
64232M160218700	2	16	0.511 / 13.0	0.751 / 19.1	0.863 / 21.9	305 / 454	124 / 56	15.5 / 395
64232M160418700	4	16	0.628 / 16.0	0.868 / 22.0	0.980 / 24.9	416 / 620	247 / 112	17.6 / 448
64232M160618700	6	16	0.756 / 19.2	0.997 / 25.3	1.109 / 28.2	542 / 807	371 / 168	20 / 507
64232M160818700	8	16	0.855 / 21.7	1.095 / 27.8	1.207 / 30.7	718 / 1068	494 / 224	21.7 / 552
64232M161218700	12	16	1.042 / 26.5	1.281 / 32.6	1.393 / 35.4	948 / 1411	742 / 336	25.1 / 637
64232M161618700	16	16	1.164 / 29.6	1.404 / 35.7	1.516 / 38.5	1141 / 1698	989 / 449	27.3 / 693
64232M162418700	24	16	1.451 / 36.9	1.691 / 43.0	1.823 / 46.3	1602 / 2384	1483 / 673	32.8 / 834
64231M180118700	1	18	0.289 / 7.3	0.529 / 13.4	0.641 / 16.3	166 / 246	39 / 18	11.5 / 293
64232M180218700	2	18	0.464 / 11.8	0.704 / 17.9	0.816 / 20.7	265 / 394	78 / 35	14.7 / 373
64232M180418700	4	18	0.571 / 14.5	0.811 / 20.6	0.923 / 23.4	352 / 523	156 / 71	16.6 / 422
64232M180618700	6	18	0.685 / 17.4	0.925 / 23.5	1.037 / 26.3	449 / 668	234 / 106	18.7 / 474
64232M180818700	8	18	0.744 / 18.9	0.984 / 25.0	1.096 / 27.8	520 / 774	312 / 142	19.7 / 501
64232M181218700	12	18	0.942 / 23.9	1.182 / 30.0	1.294 / 32.9	769 / 1144	468 / 212	23.3 / 592
64232M181618700	16	18	1.050 / 26.7	1.290 / 32.8	1.402 / 35.6	915 / 1361	624 / 283	25.2 / 641
64232M182418700	24	18	1.306 / 33.2	1.546 / 39.3	1.678 / 42.6	1269 / 1888	936 / 425	30.2 / 767
64231M200118700	1	20	0.246 / 6.3	0.486 / 12.4	0.598 / 15.2	144 / 214	24 / 11	10.8 / 273
64231M200118700	1	20	0.246 / 6.3	0.486 / 12.4	0.598 / 15.2	144 / 214	24 / 11	10.8 / 273
64232M200218700	2	20	0.387 / 9.8	0.627 / 15.9	0.739 / 18.8	218 / 325	48 / 22	13.3 / 338
64232M200618700	6	20	0.567 / 14.4	0.807 / 20.5	0.919 / 23.3	353 / 525	144 / 65	16.5 / 420
64232M200818700	8	20	0.614 / 15.6	0.854 / 21.7	0.966 / 24.5	403 / 599	192 / 87	17.4 / 442
64232M201218700	12	20	0.745 / 18.9	0.985 / 25.0	1.097 / 27.9	518 / 771	288 / 131	19.8 / 502
64232M201618700	16	20	0.863 / 21.9	1.103 / 28.0	1.215 / 30.9	694 / 1032	384 / 174	21.9 / 556
64232M202418700	24	20	1.066 / 27.1	1.305 / 33.2	1.418 / 36.0	921 / 1370	576 / 261	25.5 / 648

CSA ACIC Armoured Instrumentation, 600 V

Armoured Instrumentation cables are used to convert analogue or digital signals. Used when there is a possibility for crosstalk between pairs/triads. Interlocked armour replaces the use of conduit for mechanical protection. Cables can be installed in raceways, direct burial applications and in outdoor exposed Industrial applications.

Standards:



- | | |
|--|---|
| 1 – Stranded Bare Copper Conductors (Tin-coated Available) | 6 – Overall Aluminum/Mylar Shield with Tin-coated Copper Drain Wire |
| 2 – XLPE (RW90 Rated) Insulated Conductors | 7 – FR LAG PVC Inner Protective Jacket |
| 3 – Individual Shield & Overall Shielded Pairs/Triads | 8 – Aluminum Interlocked Armour (AIA) |
| 4 – Polypropylene Fillers | 9 – FR LAG PVC Outer Protective Jacket |
| 5 – Polyester Separator Tape | |

Product Construction

Insulation:

- FR XLPE/XLPE (RW90 rated) (standard) rated: 90°C wet/105°C dry
- PVC (optional)

Shielding (foil-free edge):

- ISOS (standard)
- OS (optional)

Armour:

- Aluminum Interlocked Armour (AIA) (standard)
- Steel Interlocked Armour (SIA) (optional)
- Serve Wire Armour (SIA) (optional)

Jacket:

- FR LAG PVC (AG14 rated) inner black jacket rated: 90°C to -40°C
- FR LAG PVC (AG14 rated) outer grey jacket rated: 90°C to -40°C

Available in:

- Copper taper or braided shield

Certification/Compliances

- CSA C22.2 NO. 239, Control & Instrumentation Cables (Type ACIC)
- CSA C22.2 NO. 174, Cables & Cable Glands for use in Hazardous Locations
- CSA C22.2 NO. 38, Thermoset Insulated Wires & Cables (XLPE)
- CSA FT4, UL 1685 FT4, Vertical Tray Flame Test rated
- IEEE 383 & 1202 (70,000 BTU/hr), Vertical Flame Test rated
- ICEA T-30-520 (70,000 BTU/hr), Vertical Flame Test rated
- XLPE (RW90 rated), 90°C wet/105°C dry

- UV sunlight resistant “SUN RES” (all colours)
- Direct burial rated
- 40°C cold bend/ impact rated
- HL rated for use in hazardous locations:
 - Class 1 Zone 0 (Intrinsically Safe cables only)
 - Class I Zone 1 (Div 1)
 - Class I Zone 2 (Div 2)
 - HL-BCD gas groups rated

Colour Coding

- Pairs – Black, & white
- Triads – Black, white & red

600 V

Voltage (Optional: 300/1000 V)

CSA Type ACIC

Instrumentation

CSA ACIC Armoured Instrumentation, 600 V

Pairs

PART NUMBER	NUMBER OF PAIRS	CONDUCTOR SIZE <i>(AWG/kcmil)</i>	OD OVER INNER JACKET <i>(in/mm)</i>	NORMAL DIAMETERS		CABLE WEIGHT <i>(lbs/1000ft) (kg/km)</i>	MAX PULLING TENSION (PULLING EYE) <i>(lb/kg)</i>	MIN BEND RADIUS (PULL) <i>(in/mm)</i>
				OVER ARMOUR <i>(in/mm)</i>	OVERALL CABLE <i>(in/mm)</i>			
69222M160118700	1	16	0.327 / 8.3	0.567 / 14.4	0.679 / 17.3	180 / 269	41 / 19	12.2 / 310
69222M160218700	2	16	0.494 / 12.6	0.734 / 18.7	0.846 / 21.5	285 / 424	82 / 37	15.2 / 387
69222M160418700	4	16	0.608 / 15.5	0.848 / 21.5	0.960 / 24.4	379 / 564	165 / 75	17.3 / 439
69222M160618700	6	16	0.732 / 18.6	0.972 / 24.7	1.084 / 27.5	488 / 726	247 / 112	19.5 / 496
69222M160818700	8	16	0.797 / 20.3	1.037 / 26.3	1.149 / 29.2	612 / 910	330 / 150	20.7 / 525
69222M161218700	12	16	1.010 / 25.6	1.250 / 31.8	1.362 / 34.6	843 / 1254	494 / 224	24.5 / 623
69222M161618700	16	16	1.128 / 28.7	1.368 / 34.8	1.480 / 37.6	1003 / 1493	659 / 299	26.6 / 677
69222M162418700	24	16	1.406 / 35.7	1.646 / 41.8	1.778 / 45.2	1399 / 2081	989 / 449	32 / 813
69222M163618700	36	16	1.625 / 41.3	1.930 / 49.0	2.062 / 52.4	1931 / 2874	1483 / 673	37.1 / 943
69221M180118700	1	18	0.303 / 7.7	0.543 / 13.8	0.655 / 16.6	165 / 245	26 / 12	11.8 / 299
69222M180218700	2	18	0.455 / 11.6	0.695 / 17.7	0.807 / 20.5	250 / 373	52 / 24	14.5 / 369
69222M180418700	4	18	0.560 / 14.2	0.800 / 20.3	0.912 / 23.2	325 / 484	104 / 47	16.4 / 417
69222M180618700	6	18	0.672 / 17.1	0.912 / 23.2	1.024 / 26.0	411 / 611	156 / 71	18.4 / 468
69222M180818700	8	18	0.730 / 18.6	0.970 / 24.6	1.082 / 27.5	470 / 700	208 / 94	19.5 / 495
69222M181218700	12	18	0.925 / 23.5	1.165 / 29.6	1.277 / 32.4	695 / 1034	312 / 142	23 / 584
69222M181618700	16	18	1.032 / 26.2	1.272 / 32.3	1.384 / 35.2	817 / 1216	416 / 189	24.9 / 633
69222M182418700	24	18	1.283 / 32.6	1.523 / 38.7	1.635 / 41.5	1092 / 1625	624 / 283	29.4 / 748
69222M183618700	36	18	1.480 / 37.6	1.720 / 43.7	1.852 / 47.1	1448 / 2154	936 / 425	33.3 / 847

CSA ACIC Armoured Instrumentation, 600 V

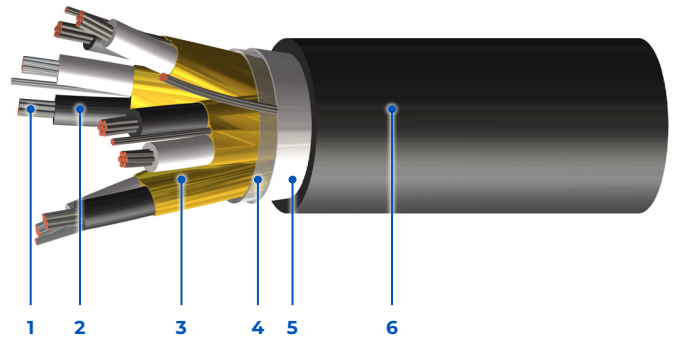
Triads

PART NUMBER	NUMBER OF TRIADS	CONDUCTOR SIZE <i>(AWG/kcmil)</i>	OD OVER INNER JACKET <i>(in/mm)</i>	NORMAL DIAMETERS		CABLE WEIGHT <i>(lbs/1000ft) (kg/km)</i>	MAX PULLING TENSION (PULLING EYE) <i>(lb/kg)</i>	MIN BEND RADIUS (PULL) <i>(in/mm)</i>
				OVER ARMOUR <i>(in/mm)</i>	OVERALL CABLE <i>(in/mm)</i>			
69231M160118700	1	16	0.345 / 8.8	0.585 / 14.9	0.697 / 17.7	198 / 295	62 / 28	12.5 / 319
69232M160218700	2	16	0.591 / 15.0	0.831 / 21.1	0.943 / 24.0	356 / 530	124 / 56	17 / 431
69232M160418700	4	16	0.694 / 17.6	0.934 / 23.7	1.046 / 26.6	458 / 681	247 / 112	18.8 / 478
69232M160618700	6	16	0.871 / 22.1	1.111 / 28.2	1.223 / 31.1	684 / 1017	371 / 168	22 / 559
69232M160818700	8	16	0.946 / 24.0	1.186 / 30.1	1.298 / 33.0	795 / 1183	494 / 224	23.4 / 593
69232M161218700	12	16	1.156 / 29.4	1.396 / 35.5	1.508 / 38.3	1054 / 1569	742 / 336	27.2 / 690
69232M161618700	16	16	1.294 / 32.9	1.534 / 39.0	1.666 / 42.3	1301 / 1936	989 / 449	30 / 762
69232M162418700	24	16	1.619 / 41.1	1.924 / 48.9	2.056 / 52.2	1880 / 2797	1483 / 673	37 / 940
69231M180118700	1	18	0.319 / 8.1	0.559 / 14.2	0.671 / 17.1	178 / 265	39 / 18	12.1 / 307
69232M180218700	2	18	0.544 / 13.8	0.784 / 19.9	0.896 / 22.8	311 / 464	78 / 35	16.1 / 410
69232M180418700	4	18	0.637 / 16.5	0.877 / 22.3	0.989 / 25.1	388 / 578	156 / 71	17.8 / 452
69232M180618700	6	18	0.767 / 19.5	0.987 / 25.1	1.099 / 27.9	540 / 803	234 / 106	19.8 / 503
69232M180818700	8	18	0.867 / 22.0	1.107 / 28.1	1.219 / 31.0	662 / 985	312 / 142	21.9 / 557
69232M181218700	12	18	1.057 / 26.9	1.297 / 33.0	1.409 / 35.8	865 / 1287	468 / 212	25.4 / 644
69232M181618700	16	18	1.181 / 30.0	1.421 / 36.1	1.533 / 38.9	1024 / 1524	624 / 283	27.6 / 701
69232M182418700	24	18	1.474 / 37.4	1.713 / 43.5	1.845 / 46.9	1425 / 2121	936 / 425	33.2 / 844

CSA ACIC Unarmoured Tray Instrumentation, 300 V

Tray Instrumentation cables can be used to minimize noise and signal interference by preventing crosstalk between pairs and triads. This cable can also be used to convert analogue or digital signals. Tray Instrumentation cables can be installed in raceways, direct burial applications and in outdoor exposed industrial applications.

Standards:



- 1 – Stranded Bare Copper Conductors (Tin-coated Available)
- 2 – XLPE (RW90 Rated) Insulated Conductors
- 3 – Individual Shield & Overall Shielded Pairs/Triads with Tin-coated Copper Drain Wire
- 4 – Polyester Separator Tape
- 5 – Overall Aluminum/Mylar Shield with Tin-coated Copper Drain Wire
- 6 – PVC Outer Protective Jacket

Product Construction

Insulation:

- XLPE (RW90 rated) rated: 90°C wet/dry

Shielding (foil-free edge):

- ISOS (standard)
- OS (optional)

Jacket:

- FR PVC outer black jacket rated: 90°C to -40°C

Available in:

- Custom insulation/ jacket colours
- Composite constructions

Certification/Compliances

- CSA C22.2 NO. 230, Tray Cables (TC)
- CSA C22.2 NO. 239, Control & Instrumentation Cables (Type CIC)
- CSA C22.2 NO. 38, Thermoset Insulated Wires & Cables (XLPE)
- CSA FT4, UL 1685 FT4, Vertical Tray Flame Test rated
- IEEE 383 & 1202 (70,000 BTU/hr), Vertical Flame Test rated
- ICEA T-30-520 (70,000 BTU/hr), Vertical Flame Test rated
- XLPE (RW90 rated), 90°C wet/105°C dry

- UV sunlight resistant “SUN RES” (all colours)
- Direct burial rated
- -40°C cold bend/ impact rated
- HL rated for use in hazardous locations:
 - Class 1 Zone 0 (Intrinsically Safe cables only)
 - Class 1 Zone 2 (Div 2)
 - TC-BCD gas groups rated

Colour Coding

- Pairs – Black, & white, with black printing on white (standard)
- Triads – Black, white & red, with black printing on white (standard)

300 V

Voltage (Optional: 600/1000 V)

CSA Type ACIC

Instrumentation

CSA ACIC Unarmoured Tray Instrumentation, 300 V

Pairs

PART NUMBER	NUMBER OF PAIRS	CONDUCTOR SIZE	NOMINAL DIAMETER OVERALL CABLE	CABLE WEIGHT	MAX PULLING TENSION (PULLING EYE)	MIN BEND RADIUS (PULL)
		(AWG/kcmil)	(in/mm)	(lbs/1000ft) (kg/km)	(lb/kg)	(in/mm)
4B021M160110008	1	16	0.347 / 8.8	56 / 84	41 / 19	6.2 / 159
4B022M160210008	2	16	0.514 / 13.1	125 / 186	82 / 37	9.3 / 235
4B022M160410008	4	16	0.632 / 16.1	195 / 290	165 / 75	11.4 / 289
4B022M160610008	6	16	0.756 / 19.2	280 / 416	247 / 112	13.6 / 346
4B022M160810008	8	16	0.821 / 20.9	346 / 515	330 / 150	14.8 / 375
4B022M161210008	12	16	1.042 / 26.5	528 / 786	494 / 224	18.7 / 476
4B022M161610008	16	16	1.160 / 29.5	663 / 986	659 / 299	20.9 / 530
4B022M162410008	24	16	1.438 / 36.5	961 / 1431	989 / 449	25.9 / 658
4B022M163610008	36	16	1.657 / 42.1	1357 / 2019	1483 / 673	29.8 / 758
4B022M180210008	2	18	0.475 / 12.1	99 / 147	52 / 24	8.5 / 217
4B022M180410008	4	18	0.584 / 14.8	151 / 225	104 / 47	10.5 / 267
4B022M180610008	6	18	0.696 / 17.7	215 / 319	156 / 71	12.5 / 318
4B022M180810008	8	18	0.754 / 19.2	263 / 392	208 / 94	13.6 / 345
4B022M181210008	12	18	0.957 / 24.3	401 / 597	312 / 142	17.2 / 438
4B022M181610008	16	18	1.064 / 27.0	499 / 742	416 / 189	19.2 / 487
4B022M182410008	24	18	1.315 / 33.4	716 / 1065	624 / 283	23.7 / 601
4B022M183610008	36	18	1.512 / 38.4	997 / 1484	936 / 425	27.2 / 692
4B021M200110008	1	20	0.303 / 7.7	39 / 57	16 / 7	5.5 / 139
4B022M200210008	2	20	0.442 / 11.2	84 / 125	32 / 15	8 / 202
4B022M200410008	4	20	0.514 / 13.1	113 / 169	64 / 29	9.3 / 235
4B022M200610008	6	20	0.646 / 16.4	178 / 264	96 / 44	11.6 / 295
4B022M200810008	8	20	0.699 / 17.8	215 / 320	128 / 58	12.6 / 320
4B022M201210008	12	20	0.887 / 22.5	330 / 491	192 / 87	16 / 406
4B022M201610008	16	20	0.984 / 25.0	405 / 603	256 / 116	17.7 / 450
4B022M202410008	24	20	1.213 / 30.8	579 / 861	384 / 174	21.8 / 554
4B022M203610008	36	20	1.392 / 35.4	798 / 1188	576 / 261	25.1 / 636

CSA ACIC Unarmoured Tray Instrumentation, 300 V

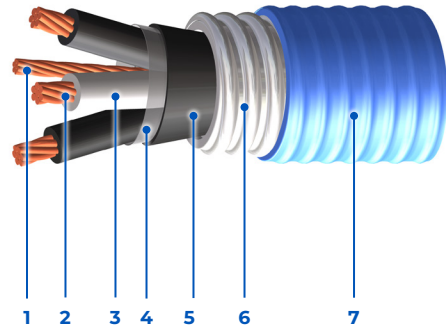
Triads

PART NUMBER	NUMBER OF TRIADS	CONDUCTOR SIZE	NOMINAL DIAMETER OVERALL CABLE	CABLE WEIGHT	MAX PULLING TENSION (PULLING EYE)	MIN BEND RADIUS (PULL)
		(AWG/kcmil)	(in/mm)	(lbs/1000ft) (kg/km)	(lb/kg)	(in/mm)
4B031M160110008	1	16	0.365 / 9.3	71 / 106	62 / 28	6.6 / 167
4B032M160210008	2	16	0.615 / 15.6	178 / 265	124 / 56	11.1 / 281
4B032M160410008	4	16	0.718 / 18.2	258 / 383	247 / 112	12.9 / 328
4B032M160610008	6	16	0.903 / 22.9	403 / 600	371 / 168	16.3 / 413
4B032M160810008	8	16	0.978 / 24.8	499 / 743	494 / 224	17.6 / 447
4B032M161210008	12	16	1.188 / 30.2	711 / 1058	742 / 336	21.4 / 543
4B032M161610008	16	16	1.326 / 33.7	896 / 1333	989 / 449	23.9 / 606
4B032M162410008	24	16	1.651 / 41.9	1310 / 1949	1483 / 673	29.7 / 755
4B031M180110008	1	18	0.339 / 8.6	56 / 83	39 / 18	6.1 / 155
4B032M180210008	2	18	0.568 / 14.4	142 / 211	78 / 35	10.2 / 260
4B032M180410008	4	18	0.661 / 16.8	199 / 297	156 / 71	11.9 / 302
4B032M180610008	6	18	0.791 / 20.1	286 / 425	234 / 106	14.2 / 362
4B032M180810008	8	18	0.899 / 22.8	385 / 572	312 / 142	16.2 / 411
4B032M181210008	12	18	1.089 / 27.7	543 / 807	468 / 212	19.6 / 498
4B032M181610008	16	18	1.213 / 30.8	676 / 1006	624 / 283	21.8 / 555
4B032M182410008	24	18	1.506 / 38.2	979 / 1457	936 / 425	27.1 / 688
4B031M200110008	1	20	0.318 / 8.1	46 / 69	24 / 11	5.7 / 145
4B032M200210008	2	20	0.500 / 12.7	106 / 158	48 / 22	9 / 229
4B032M200210008	2	20	0.500 / 12.7	106 / 158	48 / 22	9 / 229
4B032M200410008	4	20	0.615 / 15.6	162 / 242	96 / 44	11.1 / 281
4B032M200810008	8	20	0.796 / 20.2	282 / 419	192 / 87	14.3 / 364
4B032M201210008	12	20	1.009 / 25.6	431 / 641	288 / 131	18.2 / 461
4B032M201610008	16	20	1.122 / 28.5	534 / 795	384 / 174	20.2 / 513
4B032M202410008	24	20	1.388 / 35.3	769 / 1144	576 / 261	25 / 635

CSA Armcon, Armoured, Multi-Conductor, 600 V

Unshielded armoured control cable is used for operation of control automation equipment. Interlocked armour replaces the use of conduit for mechanical protection. Cable can be directly buried, installed in raceways, including cable tray in wet or dry environments. Cable is suitable for use in outdoor exposed applications and is rated for damp or dry locations in -40°C (-40°F) environments.

Standards:



- 1 – Stranded Bare Copper Conductors (Tin-coated Available)
- 2 – Grounding Conductor
- 3 – XLPE (RW90 Rated) Insulated Conductors
- 4 – Polyester Separator Tape
- 5 – FR LAG PVC Inner Protective Jacket
- 6 – Aluminum Interlocked Armour (AIA)
- 7 – FR LAG PVC Outer Protective Jacket

Product Construction

Insulation:

- XLPE (RW90 rated) rated: 90°C wet/105°C dry

Shielding:

- ISOS (optional)
- OS (optional)

Armour:

- Aluminum Interlocked Armour (AIA) (optional)
- Steel Interlocked Armour (SIA) (optional)
- Serve Wired Armour (SWA) (optional)

Jacket:

- FR PVC outer black jacket rated: 90°C to -40°C

Available in:

- Ribbed inner-jacketed core for vertical/mineshaft applications
- Custom insulation/jacket colours
- Composite constructions

Certification/Compliances

- CSA C22.2 NO. 239, Control & Instrumentation Cables (Type ACIC)
- CSA C22.2 NO. 174, Cables & Cable Glands for use in Hazardous Locations
- CSA C22.2 NO. 38, Thermoset Insulated Wires & Cables (XLPE)
- CSA FT4, UL 1685 FT4, Vertical Tray Flame Test rated
- IEEE 383 & 1202 (70,000 BTU/hr), Vertical Flame Test rated
- ICEA T-30-520 (70,000 BTU/hr), Vertical Flame Test rated
- XLPE (RW90 rated), 90°C wet/dry
- UV sunlight resistant "SUN RES" (all colours)
- Direct burial rated
- -40°C cold bend/impact rated
- HL rated for use in hazardous locations:
 - Class I Zone 0 (Intrinsically Safe cables only)
 - Class I Zone 1 (Div 1)
 - Class I Zone 2 (Div 2)

600 V

Voltage

Optional:
300/1000 V

Colour Coding

- First conductor white, all remaining conductors are black number coded

CSA Type ACIC

Controls

CSA Armcon, Armoured, Multi-Conductor, 600 V

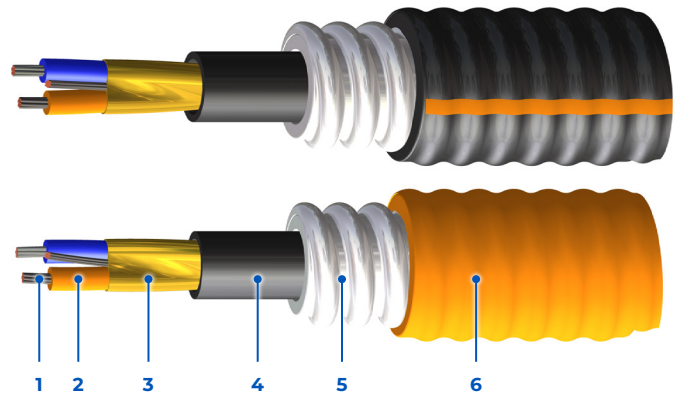
PART NUMBER	NUMBER OF CONDUCTORS	CONDUCTOR SIZE	GROUND WIRE SIZE	OD OVER INNER JACKET	NORMAL DIAMETERS		CABLE WEIGHT	AMPACITY	MAX. PULLING TENSION (PULLING EYE)	MIN. BEND RADIUS (PULL)
					OVER ARMOUR	OVERALL CABLE				
		AWG/kcmil	AWG/kcmil	in/mm	in/mm	in/mm	lbs/1000ft kg/km	30°C ambient	lb/kg	in/mm
69210M160209714	2	16	16	0.326 / 8.3	0.566 / 14.4	0.678 / 17.2	185 / 276	10	41 / 19	12.2 / 310
69210M160309714	3	16	16	0.354 / 9.0	0.594 / 15.1	0.706 / 17.9	206 / 306	10	62 / 28	12.7 / 323
69210M160409714	4	16	16	0.384 / 9.7	0.624 / 15.8	0.736 / 18.7	227 / 338	8	82 / 37	13.2 / 336
69210M160509714	5	16	16	0.410 / 10.4	0.650 / 16.5	0.762 / 19.4	249 / 370	8	103 / 47	13.7 / 348
69210M160609714	6	16	16	0.446 / 11.3	0.686 / 17.4	0.798 / 20.3	273 / 406	8	124 / 56	14.4 / 365
69210M160709714	7	16	16	0.482 / 12.2	0.722 / 18.3	0.834 / 21.2	298 / 443	7	144 / 65	15 / 381
69210M160809714	8	16	16	0.545 / 13.9	0.785 / 19.9	0.897 / 22.8	345 / 513	7	165 / 75	16.1 / 410
69210M161009714	10	16	16	0.592 / 15.0	0.832 / 21.1	0.944 / 24.0	381 / 567	7	206 / 93	17 / 432
69210M161209714	12	16	16	0.610 / 15.5	0.850 / 21.6	0.962 / 24.4	410 / 610	7	247 / 112	17.3 / 440
69210M161509714	15	16	16	0.658 / 16.7	0.898 / 22.8	1.010 / 25.7	460 / 684	7	309 / 140	18.2 / 462
69210M162009714	20	16	16	0.748 / 19.0	0.988 / 25.1	1.100 / 27.9	554 / 824	7	412 / 187	19.8 / 503
69210M162509714	25	16	16	0.864 / 22.0	1.104 / 28.0	1.216 / 30.9	727 / 1082	6	515 / 234	21.9 / 556
69210M163009714	30	16	16	0.913 / 23.2	1.153 / 29.3	1.265 / 32.1	801 / 1192	6	618 / 280	22.8 / 578
69210M164009714	40	16	16	1.020 / 25.9	1.260 / 32.0	1.372 / 34.8	972 / 1447	6	824 / 374	24.7 / 627
69210M165009714	50	16	16	1.133 / 28.8	1.373 / 34.9	1.485 / 37.7	1135 / 1689	5	1030 / 467	26.7 / 679

*Ampacity value based on Canadian Electrical Code, Version 2018, Table-2 and Table-57. Values are corrected according to Table-5C and Table-57 for number of Conductors.

CSA ACIC Armoured Fieldbus/Profibus PA, 300/600 V

Fieldbus is the Process Industries digital replacement for analog 4-20mA transmission of process variables. Depending mainly on the current requirement of each device, up to 32 sensors and actuators are possible on a Fieldbus link with a maximum transmission distance of 1900m.

Standards:



- | | |
|---|---------------------------------------|
| 1 – Stranded Tin-coated Copper Pairs | 4 – FR PVC Inner Protective Jacket |
| 2 – XLPE (RW90 Rated) Insulated Pairs (standard) | 5 – Aluminum Interlocked Armour (AIA) |
| 3 – Individual Aluminum/Mylar Shield with Drain Wire Over Each Pair | 6 – FR PVC Outer Protective Jacket |

Product Construction

Insulation:

- XLPE (RW90 rated) rated: 90°C wet/105°C dry

Jacket:

- FR PVC outer orange jacket (standard for Fieldbus) rated: 90°C to -40°C
- FR PVC outer purple jacket (standard for Profibus) rated: 90°C to -40°C
- Black with integral orange stripe (optional)
- Blue for Intrinsically Safe applications

Shielding (foil-free edge):

- ISOS (standard)
- OS (optional)

Armour:

- Aluminum Interlocked Armour (AIA) (standard)
- Steel Interlocked Armour (SIA) (optional)

Available in:

- Custom insulation/jacket colours
- Green bonding conductor
- LSZH jacket
- Marine/shipboard cable types

Certification/Compliances

- Foundation Fieldbus Spec. FF-844, Type "A", H1
- CSA C22.2 NO. 239, Control & Instrumentation Cables (Type ACIC)
- CSA FT4, UL 1685 FT4, Vertical Tray Flame Test rated
- IEEE 383 & 1202 (70,000 BTU/hr), Vertical Flame Test rated
- ICEA T-30-520 (70,000 BTU/hr), Vertical Flame Test rated
- XLPE (RW90 rated), 90°C wet/105°C dry
- UV sunlight resistant "SUN RES" (all colours)

- Direct burial rated
- -40°C cold bend/impact rated
- Rated for use in hazardous locations:
 - Class I Zone 0 (Intrinsically Safe cables only)
 - Class I Zone 1 (Div 1)
 - Class I Zone 2 (Div 2)
 - HL-BCD gas groups rated

Colour Coding

- Blue and Orange conductors (standard)

300/ 600 V

Voltage

CSA Type ACIC

Grounding

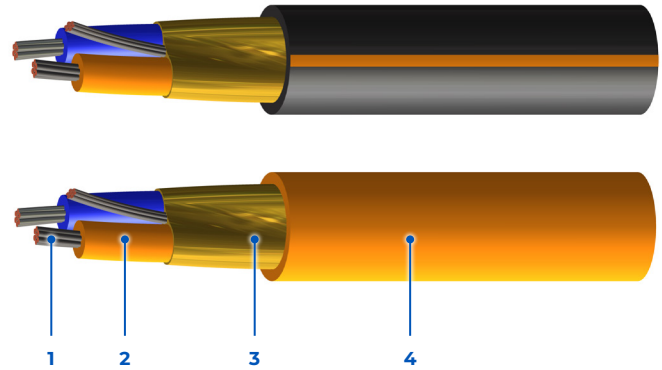
CSA ACIC Armoured Fieldbus/Profibus PA, 300/600 V

PART NUMBER	NUMBER OF PAIRS	CONDUCTOR SIZE	OD OVER INNER JACKET	NORMAL DIAMETERS		CABLE WEIGHT	MAX PULLING TENSION (PULLING EYE)	MIN BEND RADIUS (PULL)
				OVER ARMOUR	OVERALL CABLE			
		(AWG/kcmil)	(in/mm)	(in/mm)	(in/mm)	(lbs/1000ft) (kg/km)	(lb/kg)	(in/mm)
6F221M140115700	1	14	0.405 / 10.3	0.625 / 15.9	0.737 / 18.7	215 / 320	66 / 30	13.3 / 337
6F222M140215700	2	14	0.640 / 16.3	0.856 / 21.7	0.968 / 24.6	377 / 561	132 / 60	17.4 / 442
6F222M140415700	4	14	0.749 / 19.0	0.965 / 24.5	1.077 / 27.4	484 / 720	263 / 119	19.4 / 492
6F222M140615700	6	14	0.942 / 23.9	1.150 / 29.2	1.262 / 32.1	724 / 1077	395 / 179	22.7 / 577
6F222M141215700	12	14	1.245 / 31.6	1.453 / 36.9	1.565 / 39.8	1126 / 1675	790 / 358	28.2 / 716
6F222M142415700	24	14	1.796 / 45.6	2.061 / 52.4	2.193 / 55.7	2115 / 3148	1579 / 716	39.5 / 1003
6F221M160115700	1	16	0.347 / 8.8	0.567 / 14.4	0.679 / 17.3	182 / 271	41 / 19	12.2 / 310
6F222M160215700	2	16	0.514 / 13.1	0.734 / 18.7	0.846 / 21.5	289 / 429	82 / 37	15.2 / 387
6F222M160415700	4	16	0.632 / 16.1	0.848 / 21.5	0.960 / 24.4	387 / 575	165 / 75	17.3 / 439
6F222M160615700	6	16	0.756 / 19.2	0.972 / 24.7	1.084 / 27.5	499 / 743	247 / 112	19.5 / 496
6F222M161215700	12	16	1.042 / 26.5	1.250 / 31.8	1.362 / 34.6	866 / 1289	494 / 224	24.5 / 623
6F222M162415700	24	16	1.438 / 36.5	1.646 / 41.8	1.778 / 45.2	1446 / 2151	989 / 449	32 / 813
6F221M180115700	1	18	0.303 / 7.7	0.523 / 13.3	0.635 / 16.1	158 / 235	26 / 12	11.4 / 290
6F222M180215700	2	18	0.442 / 11.2	0.662 / 16.8	0.774 / 19.6	237 / 353	52 / 24	13.9 / 354
6F222M180415700	4	18	0.514 / 13.1	0.734 / 18.6	0.846 / 21.5	292 / 435	104 / 47	15.2 / 387
6F222M180615700	6	18	0.646 / 16.4	0.862 / 21.9	0.974 / 24.7	391 / 582	156 / 71	17.5 / 445
6F222M181215700	12	18	0.887 / 22.5	1.095 / 27.8	1.207 / 30.7	662 / 985	312 / 142	21.7 / 552
6F222M182415700	24	18	1.213 / 30.8	1.421 / 36.1	1.533 / 38.9	1042 / 1551	624 / 283	27.6 / 701
6F221M14011V700	1	14	0.405 / 10.3	0.625 / 15.9	0.737 / 18.7	215 / 320	66 / 30	13.3 / 337
6F222M14021V700	2	14	0.640 / 16.3	0.856 / 21.7	0.968 / 24.6	377 / 561	132 / 60	17.4 / 442
6F222M14041V700	4	14	0.749 / 19.0	0.965 / 24.5	1.077 / 27.4	484 / 720	263 / 119	19.4 / 492
6F222M14061V700	6	14	0.942 / 23.9	1.150 / 29.2	1.262 / 32.1	724 / 1077	395 / 179	22.7 / 577
6F222M14121V700	12	14	1.245 / 31.6	1.453 / 36.9	1.565 / 39.8	1126 / 1675	790 / 358	28.2 / 716
6F222M14241V700	24	14	1.796 / 45.6	2.061 / 52.4	2.193 / 55.7	2115 / 3148	1579 / 716	39.5 / 1003
6F221M16011V700	1	16	0.347 / 8.8	0.567 / 14.4	0.679 / 17.3	182 / 271	41 / 19	12.2 / 310
6F222M16021V700	2	16	0.514 / 13.1	0.734 / 18.7	0.846 / 21.5	289 / 429	82 / 37	15.2 / 387
6F222M16041V700	4	16	0.632 / 16.1	0.848 / 21.5	0.960 / 24.4	387 / 575	165 / 75	17.3 / 439
6F222M16061V700	6	16	0.756 / 19.2	0.972 / 24.7	1.084 / 27.5	499 / 743	247 / 112	19.5 / 496
6F222M16121V700	12	16	1.042 / 26.5	1.250 / 31.7	1.362 / 34.6	866 / 1289	494 / 224	24.5 / 623
6F222M16241V700	24	16	1.438 / 36.5	1.646 / 41.8	1.778 / 45.2	1446 / 2151	989 / 449	32 / 813
6F221M18011V700	1	18	0.303 / 7.7	0.523 / 13.3	0.635 / 16.1	158 / 235	26 / 12	11.4 / 290
6F222M18021V700	2	18	0.442 / 11.2	0.662 / 16.8	0.774 / 19.7	237 / 353	52 / 24	13.9 / 354
6F222M18041V700	4	18	0.514 / 13.1	0.734 / 18.6	0.846 / 21.4	292 / 435	104 / 47	15.2 / 387
6F222M18061V700	6	18	0.646 / 16.4	0.862 / 21.9	0.974 / 24.7	391 / 582	156 / 71	17.5 / 445
6F222M18121V700	12	18	0.887 / 22.5	1.095 / 27.8	1.207 / 30.7	662 / 985	312 / 142	21.7 / 552
6F222M18241V700	24	18	1.213 / 30.8	1.421 / 36.1	1.533 / 38.9	1042 / 1551	624 / 283	27.6 / 701

CSA Unarmoured Tray Fieldbus/Profibus PA, 300/600 V

Fieldbus is the Process Industries digital replacement for analog 4-20mA transmission of process variables. Depending mainly on the current requirement of each device, up to 32 sensors and actuators are possible on a Fieldbus link with a maximum transmission distance of 1900m.

Standards:



- 1 – Stranded Tin-coated Copper Pairs
- 2 – XLPE (RW90 Rated) Insulated Pairs (standard)
- 3 – Individual Aluminum/Mylar Shield with Drain Wire Over Each Pair
- 4 – FR PVC Outer Protective Jacket

Product Construction

Insulation:

- XLPE (RW90 rated) rated: 90°C wet/105°C dry

Jacket:

- FR PVC outer orange jacket (standard for Fieldbus) rated: 90°C to -40°C
- FR PVC outer purple jacket (standard for Profibus) rated: 90°C to -40°C
- Black with integral orange stripe (optional)
- Blue for Intrinsically Safe applications

Shielding (foil-free edge):

- ISOS (standard)
- OS (optional)

Available in:

- Custom insulation/jacket colours

Certification/Compliances

- Foundation Fieldbus Spec. FF-844, Type "A",H1
- CSA C22.2 NO. 230, Tray Cables (TC)
- CSA C22.2 NO. 239, Control & Instrumentation Cables (Type ACIC)
- CSA FT4, UL 1685 FT4, Vertical Tray Flame Test rated
- IEEE 383 & 1202 (70,000 BTU/hr), Vertical Flame Test rated
- ICEA T-30-520 (70,000 BTU/hr), Vertical Flame Test rated
- XLPE (RW90 rated), 90°C wet/105°C dry
- UV sunlight resistant "SUN RES" (all colours)
- Direct burial rated

- -40°C cold bend/ impact rated
- Rated for use in hazardous locations:
 - Class I Zone 0 (Intrinsically Safe cables only)
 - Class I Zone 1 (Div 1)
 - Class I Zone 2 (Div 2)
 - TC-BCD gas groups rated

Colour Coding

- Blue and orange conductors (standard)

300/ 600 V

Voltage

CSA Type TC

Fieldbus/Profibus
PA

CSA Unarmoured Tray Fieldbus/Profibus PA, 300/600 V

PART NUMBER	NUMBER OF PAIRS	CONDUCTOR SIZE	NORMAL DIAMETERS OVERALL CABLE	CABLE WEIGHT	MAX PULLING TENSION (PULLING EYE)	MIN BEND RADIUS (PULL)
		(AWG/kcmil)	(in/mm)	(lbs/1000ft) (kg/km)	(lb/kg)	(in/mm)
4F021M160115000	1	16	0.367 / 9.4	63 / 93	41 / 19	6.6 / 168
4F022M160215000	2	16	0.577 / 14.7	151 / 225	82 / 37	10.4 / 264
4F022M160415000	4	16	0.672 / 17.1	216 / 321	165 / 75	12.1 / 307
4F022M160615000	6	16	0.807 / 20.5	311 / 463	247 / 112	14.5 / 369
4F022M161215000	12	16	1.112 / 28.2	591 / 880	494 / 224	20 / 508
4F022M162415000	24	16	1.541 / 39.1	1076 / 1602	989 / 449	27.7 / 705
4F021M180115000	1	18	0.323 / 8.2	47 / 69	26 / 12	5.8 / 148
4F022M180215000	2	18	0.475 / 12.1	100 / 150	52 / 24	8.5 / 217
4F022M180415000	4	18	0.584 / 14.8	157 / 233	104 / 47	10.5 / 267
4F022M180615000	6	18	0.696 / 17.7	222 / 330	156 / 71	12.5 / 318
4F022M181215000	12	18	0.957 / 24.3	415 / 618	312 / 142	17.2 / 438
4F022M182415000	24	18	1.315 / 33.4	746 / 1110	624 / 283	23.7 / 601
4F021M16011V000	1	16	0.367 / 9.3	63 / 93	41 / 19	6.6 / 168
4F022M16021V000	2	16	0.577 / 14.7	151 / 225	82 / 37	10.4 / 264
4F022M16041V000	4	16	0.672 / 17.1	216 / 321	165 / 75	12.1 / 307
4F022M16061V000	6	16	0.807 / 20.5	311 / 463	247 / 112	14.5 / 369
4F022M16121V000	12	16	1.112 / 28.2	591 / 880	494 / 224	20 / 508
4F022M16241V000	24	16	1.541 / 39.1	1076 / 1602	989 / 449	27.7 / 705
4F021M18011V000	1	18	0.323 / 8.2	47 / 69	26 / 12	5.8 / 148
4F022M18021V000	2	18	0.475 / 12.1	100 / 150	52 / 24	8.5 / 217
4F022M18041V000	4	18	0.584 / 14.8	157 / 233	104 / 47	10.5 / 267
4F022M18061V000	6	18	0.696 / 17.7	222 / 330	156 / 71	12.5 / 318
4F022M18121V000	12	18	0.957 / 24.3	415 / 618	312 / 142	17.2 / 438
4F022M18241V000	24	18	1.315 / 33.4	746 / 1110	624 / 283	23.7 / 601

TRAY POWER/CONTROL

PROVIDING SAFE AND RELIABLE CONNECTION IN VARIOUS INDUSTRIAL AND UTILITY FACILITIES

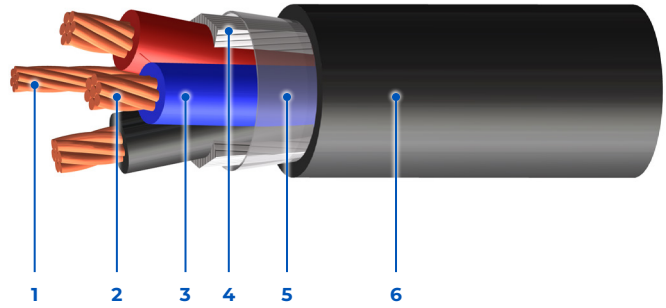
Providing safe and reliable connection in various industrial facilities, such as petrochemical, power generation, pulp and paper, mining, wastewater treatment, food processing and transportation. Providing a wide selection of shielding configurations including aluminum mylar tape, corrugated longitudinal copper tape, helical copper tape, etc.

TRAY POWER/CONTROL	28-41
CSA Unarmoured Tray Control, Multi-Conductor, 600V	29
CSA Unarmoured Tray Power, Multi-Conductor, 1000V	32
CSA Unarmoured Tray Power, Single Conductor, 1000V	35
CSA Safe-T-Ground, Green/Striped, Single Conductor, 1000V	37
CSA Utility Unarmoured Power & Control, Multi-Conductor, 1000V	40

CSA Unarmoured Tray Control, Multi-Conductor, 600 V

Tray Control cables are suitable for use in ventilated, non-ventilated and ladder type cable trays, direct burial, raceways and for exposed or concealed wiring in wet, damp or dry locations in -40°C (-40°F) environments. Applicable for use in Utilities, Industrial and Commercial applications.

Standards:



- 1 – Grounding/Bonding Conductor
- 2 – Strand Bare (ASTM B8) Annealed Copper Conductors
- 3 – XLPE (RW90 Rated) Insulated Conductors
- 4 – Polypropylene Fillers
- 5 – Polyester Separator Tape
- 6 – FR PVC Outer Protective Jacket

Product Construction

Insulation:

- XLPE (RW90 rated) rated: 90°C wet/105°C dry

Shielding (foil-free edge):

- OS (optional)

Jacket:

- FR PVC outer black jacket rated: 90°C to -40°C

Available in:

- Custom insulation/ jacket colours
- Composite constructions

Certification/Compliances

- CSA C22.2 NO. 230, Tray Cables (TC)
- CSA C22.2 NO. 239, Control & Instrumentation Cables (Type CIC)
- CSA C22.2 NO. 38, Thermoset Insulated Wires & Cables (XLPE)
- CSA FT4, UL 1685 FT4, Vertical Tray Flame Test rated
- IEEE 383 & 1202 (70,000 BTU/hr), Vertical Flame Test rated
- ICEA T-30-520 (70,000 BTU/hr), Vertical Flame Test rated
- XLPE (RW90 rated), 90°C wet/105°C dry

- UV sunlight resistant “SUN RES” (all colours)
- Direct burial rated
- -40°C cold bend/impact rated
- HL rated for use in hazardous locations:
 - Class 1 Zone 0 (Intrinsically Safe cables only)
 - Class 1 Zone 2 (Div 2)

Colour Coding

- 2C – Black & white
- 3C – Black, red & blue
- 4C – Black, red, blue & white
- 5C to 50C – Black # coded

600 V

Voltage (Optional: 1000/2000 V)

CSA Type TC

Control

CSA Unarmoured Tray Control, Multi-Conductor, 600 V

PART NUMBER	NUMBER OF CONDUCTORS	CONDUCTOR SIZE	GROUND WIRE SIZE	NOMINAL DIAMETER OVERALL CABLE	CABLE WEIGHT	AMPACITY	MAX PULLING TENSION (PULLING EYE)	MIN BEND RADIUS (PULL)
		(AWG/ kcmil)	(AWG/ kcmil)	(in/mm)	(lbs/1000ft) (kg/km)	(30°C ambient)	(lb/kg)	(in/mm)
4C010M140200000	2	14	14	0.372 / 9.5	82 / 122	25	66 / 30	3.3 / 85
4C010M140300000	3	14	14	0.403 / 10.2	100 / 149	25	99 / 45	3.6 / 92
4C010M140400000	4	14	14	0.436 / 11.1	122 / 182	20	132 / 60	3.9 / 100
4C010M140500000	5	14	14	0.465 / 11.8	140 / 208	20	165 / 75	4.2 / 106
4C010M140600000	6	14	14	0.505 / 12.8	163 / 243	20	197 / 90	4.5 / 115
4C010M140700000	7	14	14	0.575 / 14.6	202 / 300	17.5	230 / 104	5.2 / 131
4C010M140800000	8	14	14	0.616 / 15.7	227 / 338	17.5	263 / 119	5.5 / 141
4C010M141000000	10	14	14	0.668 / 17.0	265 / 394	17.5	329 / 149	6 / 153
4C010M141200000	12	14	14	0.688 / 17.5	300 / 446	17.5	395 / 179	6.2 / 157
4C010M141400000	14	14	14	0.722 / 18.4	341 / 508	17.5	461 / 209	6.5 / 165
4C010M141500000	15	14	14	0.741 / 18.8	361 / 537	17.5	494 / 224	6.7 / 169
4C010M142000000	20	14	14	0.841 / 21.4	462 / 688	17.5	658 / 298	7.6 / 192
4C010M142500000	25	14	14	0.974 / 24.7	599 / 891	15	823 / 373	8.8 / 223
4C010M143000000	30	14	14	1.028 / 26.1	690 / 1027	15	987 / 448	9.3 / 235
4C010M144000000	40	14	14	1.147 / 29.1	889 / 1324	15	1316 / 597	10.3 / 262
4C010M145000000	50	14	14	1.272 / 32.3	1082 / 1609	12.5	1645 / 746	11.4 / 291
4R010M120200000	2	12	14	0.408 / 10.4	104 / 154	20	104 / 47	3.7 / 93
4R010M120300000	3	12	14	0.443 / 11.3	132 / 196	20	157 / 71	4 / 101
4R010M120400000	4	12	14	0.480 / 12.2	160 / 239	16	209 / 95	4.3 / 110
4R010M120500000	5	12	14	0.514 / 13.1	192 / 285	16	261 / 118	4.6 / 117
4R010M120600000	6	12	14	0.589 / 15.0	240 / 358	16	313 / 142	5.3 / 135
4R010M120700000	7	12	14	0.634 / 16.1	275 / 410	14	365 / 166	5.7 / 145
4R010M120800000	8	12	14	0.681 / 17.3	304 / 453	14	418 / 189	6.1 / 156
4R010M121000000	10	12	14	0.740 / 18.8	359 / 535	14	522 / 237	6.7 / 169
4R010M121200000	12	12	14	0.763 / 19.4	413 / 615	14	626 / 284	6.9 / 174
4R010M121400000	14	12	14	0.802 / 20.4	469 / 698	14	731 / 331	7.2 / 183
4R010M121500000	15	12	14	0.823 / 20.9	498 / 741	14	783 / 355	7.4 / 188
4R010M122000000	20	12	14	0.976 / 24.8	677 / 1008	14	1044 / 474	8.8 / 223
4R010M122500000	25	12	14	1.082 / 27.5	830 / 1235	12	1305 / 592	9.7 / 247
4R010M123000000	30	12	14	1.144 / 29.1	962 / 1432	12	1566 / 710	10.3 / 261
4R010M124000000	40	12	14	1.278 / 32.5	1251 / 1861	12	2088 / 947	11.5 / 292
4R010M124000000	40	12	14	1.278 / 32.5	1251 / 1861	12	2088 / 947	11.5 / 292
4R010M125000000	50	12	14	1.420 / 36.1	1530 / 2277	10	2610 / 1184	12.8 / 325

*Ampacity value based on Canadian Electrical Code, Version 2018, Table-2. Values are corrected according to Table-5C for number of Conductors.

CSA Unarmoured Tray Control, Multi-Conductor, 600 V

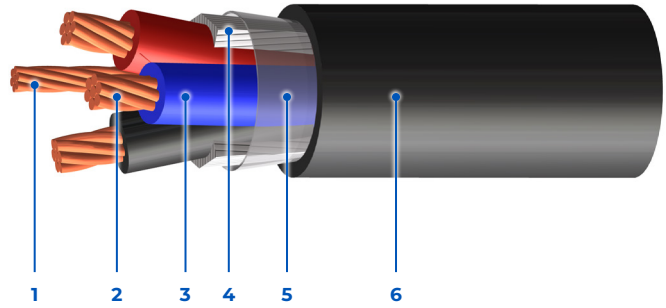
PART NUMBER	NUMBER OF CONDUCTORS	CONDUCTOR SIZE	GROUND WIRE SIZE	NOMINAL DIAMETER OVERALL CABLE	CABLE WEIGHT	AMPACITY	MAX PULLING TENSION (PULLING EYE)	MIN BEND RADIUS (PULL)
		(AWG/ kcmil)	(AWG/ kcmil)	(in/mm)	(lbs/1000ft) (kg/km)	(30°C ambient)	(lb/kg)	(in/mm)
4R010M100200000	2	10	12	0.458 / 11.6	144 / 215	30	166 / 75	4.1 / 105
4R010M100300000	3	10	12	0.498 / 12.7	184 / 275	30	249 / 113	4.5 / 114
4R010M100400000	4	10	12	0.572 / 14.5	245 / 365	24	332 / 151	5.2 / 131
4R010M100500000	5	10	12	0.611 / 15.5	288 / 429	24	415 / 188	5.5 / 140
4R010M100600000	6	10	12	0.664 / 16.9	338 / 503	24	498 / 226	6 / 152
4R010M100700000	7	10	12	0.717 / 18.2	388 / 578	21	581 / 264	6.5 / 164
4R010M100800000	8	10	12	0.771 / 19.6	433 / 645	21	664 / 301	6.9 / 176
4R010M101000000	10	10	12	0.840 / 21.3	514 / 764	21	830 / 376	7.6 / 192
4R010M101200000	12	10	12	0.906 / 23.0	624 / 928	21	996 / 452	8.2 / 207
4R010M101400000	14	10	12	0.952 / 24.2	712 / 1060	21	1162 / 527	8.6 / 218
4R010M101500000	15	10	12	0.977 / 24.8	755 / 1124	21	1245 / 565	8.8 / 223
4R010M102500000	25	10	12	1.232 / 31.3	1197 / 1781	18	2075 / 941	11.1 / 282
4R010M103000000	30	10	12	1.304 / 33.1	1398 / 2080	18	2490 / 1129	11.7 / 298
4R010M104000000	40	10	12	1.461 / 37.1	1824 / 2714	18	3320 / 1506	13.1 / 334
4R010M105000000	50	10	12	1.626 / 41.3	2238 / 3330	15	4150 / 1882	14.6 / 372

*Ampacity value based on Canadian Electrical Code, Version 2018, Table-2. Values are corrected according to Table-5C for number of Conductors.

CSA Unarmoured Tray Power, Multi-Conductor, 1000 V

Tray Power Control cables are suitable for use in ventilated, non-ventilated and ladder type cable trays, direct burial, raceways and for exposed or concealed wiring in wet, damp or dry locations in -40°C (-40°F) environments. Applicable for use in Utilities, Industrial and Commercial applications.

Standards:



- 1 – Grounding/Bonding Conductor
- 2 – Strand Bare (ASTM B8) Annealed Copper Conductors
- 3 – XLPE (RW90 Rated) Insulated Conductors
- 4 – Polypropylene Fillers
- 5 – Polyester Separator Tape
- 6 – FR PVC Outer Protective Jacket

Product Construction

Insulation:

- XLPE (RW90 rated) rated: 90°C wet/105°C dry

Shielding (foil-free edge):

- OS (optional)

Jacket:

- FR PVC outer black jacket rated: 90°C to -40°C

Available in:

- Custom insulation/ jacket colours
- Composite constructions
- Aluminum conductors

Certification/Compliances

- CSA C22.2 NO. 230, Tray Cables (TC)
- CSA C22.2 NO. 239, Control & Instrumentation Cables (Type CIC)
- CSA C22.2 NO. 38, Thermoset Insulated Wires & Cables (XLPE)
- CSA FT4, UL 1685 FT4, Vertical Tray Flame Test rated
- IEEE 383 & 1202 (70,000 BTU/hr), Vertical Flame Test rated
- ICEA T-30-520 (70,000 BTU/hr), Vertical Flame Test rated
- XLPE (RW90 rated), 90°C wet/105°C dry

- UV sunlight resistant “SUN RES” (all colours)
- Direct burial rated
- -40°C cold bend/ impact rated
- Rated for use in hazardous locations:
 - Class 1 Zone 0 (Intrinsically Safe cables only)
 - Class 1 Zone 2 (Div 2)

Colour Coding

- 2C – Black & white
- 3C – Black, red & blue
- 4C – Black, red, blue & white
- 5C to 50C – Black # coded

1000 V

Voltage (Optional: 600/2000 V)

CSA Type TC

Power

CSA Unarmoured Tray Power, Multi-Conductor, 1000 V

PART NUMBER	NUMBER OF CONDUCTORS	CONDUCTOR SIZE	GROUND WIRE SIZE	NOMINAL DIAMETER OVERALL CABLE	CABLE WEIGHT	AMPACITY	MAX PULLING TENSION (PULLING EYE)	MIN BEND RADIUS (PULL)
		(AWG/ kcmil)	(AWG/ kcmil)	(in/mm)	(lbs/1000ft) (kg/km)	(30°C ambient)	(lb/kg)	(in/mm)
4D010M140200000	2	14	14	0.432 / 11.0	97 / 144	25	66 / 30	3.9 / 99
4S010M120200000	2	12	14	0.468 / 11.9	120 / 179	30	104 / 47	4.2 / 107
4S010M100200000	2	10	12	0.518 / 13.2	162 / 241	40	166 / 75	4.7 / 118
4D010M080200000	2	8	10	0.606 / 15.4	245 / 364	55	265 / 120	5.5 / 139
4D010M060200000	2	6	8	0.744 / 18.9	371 / 552	75	419 / 190	6.7 / 170
4D010M040200000	2	4	8	0.838 / 21.3	502 / 747	95	668 / 303	7.5 / 192
4D010M030200000	2	3	6	0.932 / 23.7	654 / 973	115	842 / 382	8.4 / 213
4D010M020200000	2	2	6	0.994 / 25.3	763 / 1135	130	1062 / 482	8.9 / 227
4D010M010240000	2	1	6	1.152 / 29.3	959 / 1427	145	1339 / 607	10.4 / 263
4D010M1/0240000	2	1/0	6	1.232 / 31.3	1120 / 1667	170	1690 / 766	11.1 / 282
4D010M2/0240000	2	2/0	6	1.318 / 33.5	1338 / 1992	195	2130 / 966	11.9 / 301
4D010M3/0240000	2	3/0	4	1.420 / 36.1	1648 / 2452	225	2671 / 1212	12.8 / 325
4D010M4/0240000	2	4/0	4	1.532 / 38.9	1987 / 2957	260	3386 / 1536	13.8 / 350
4D010M250260000	2	250	4	1.664 / 42.3	2290 / 3408	290	4000 / 1814	15 / 380
4D010M300260000	2	300	4	1.830 / 46.5	2762 / 4110	320	4800 / 2177	16.5 / 418
4D010M350260000	2	350	3	1.930 / 49.0	3175 / 4725	350	5600 / 2540	17.4 / 441
4D010M500260000	2	500	3	2.186 / 55.5	4284 / 6375	430	8000 / 3629	19.7 / 500
4D010M750260000	2	750	2	2.544 / 64.6	6150 / 9152	535	12000 / 5443	22.9 / 582
4D010M140300000	3	14	14	0.470 / 11.9	119 / 177	25	99 / 45	4.2 / 107
4S010M120300000	3	12	14	0.510 / 13.0	152 / 226	30	157 / 71	4.6 / 117
4S010M100300000	3	10	12	0.595 / 15.1	223 / 332	40	249 / 113	5.4 / 136
4D010M080300000	3	8	10	0.660 / 16.8	313 / 466	55	397 / 180	5.9 / 151
4D010M060300000	3	6	8	0.813 / 20.7	481 / 716	75	629 / 285	7.3 / 186
4D010M040300000	3	4	8	0.930 / 23.6	693 / 1032	95	1002 / 454	8.4 / 213
4D010M030300000	3	3	6	0.988 / 25.1	845 / 1258	115	1263 / 573	8.9 / 226
4D010M020300000	3	2	6	1.055 / 26.8	1005 / 1496	130	1593 / 723	9.5 / 241
4D010M010340000	3	1	6	1.225 / 31.1	1264 / 1882	145	2009 / 911	11 / 280
4D010M1/0340000	3	1/0	6	1.311 / 33.3	1498 / 2230	170	2534 / 1150	11.8 / 300
4D010M2/0340000	3	2/0	6	1.403 / 35.7	1802 / 2681	195	3194 / 1449	12.6 / 321
4D010M3/0340000	3	3/0	4	1.513 / 38.4	2239 / 3333	225	4007 / 1818	13.6 / 346
4D010M4/0340000	3	4/0	4	1.633 / 41.5	2727 / 4058	260	5078 / 2304	14.7 / 373

*Ampacity value based on Canadian Electrical Code, Version 2018, Table-2. Ampacity of 4 conductors cable is based on 3 current-carrying conductors and 1 neutral.

CSA Unarmoured Tray Power, Multi-Conductor, 1000 V

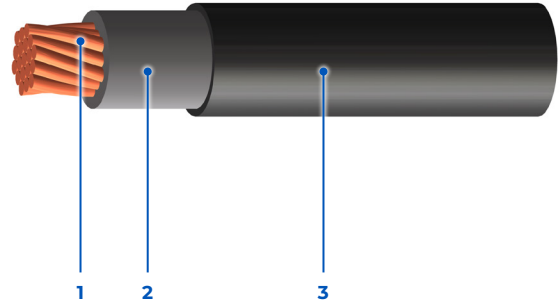
PART NUMBER	NUMBER OF CONDUCTORS	CONDUCTOR SIZE	GROUND WIRE SIZE	NOMINAL DIAMETER OVERALL CABLE	CABLE WEIGHT	AMPACITY	MAX PULLING TENSION (PULLING EYE)	MIN BEND RADIUS (PULL)
		(AWG/ kcmil)	(AWG/ kcmil)	(in/mm)	(lbs/1000ft) (kg/km)	(30°C ambient)	(lb/kg)	(in/mm)
4D010M250360000	3	250	4	1.835 / 46.6	3238 / 4818	290	6000 / 2722	16.5 / 420
4D010M300360000	3	300	4	1.949 / 49.5	3775 / 5618	320	7200 / 3266	17.5 / 446
4D010M350360000	3	350	3	2.057 / 52.2	4355 / 6481	350	8400 / 3810	18.5 / 470
4D010M500360000	3	500	3	2.332 / 59.2	5940 / 8839	430	12000 / 5443	21 / 533
4D010M750360000	3	750	3	2.717 / 69.0	8586 / 12778	535	18000 / 8165	24.5 / 621
4D010M140400000	4	14	14	0.510 / 13.0	143 / 213	20	132 / 60	4.6 / 117
4S010M120400000	4	12	14	0.585 / 14.9	202 / 301	24	209 / 95	5.3 / 134
4S010M100400000	4	10	12	0.647 / 16.4	274 / 407	32	332 / 151	5.8 / 148
4D010M080400000	4	8	10	0.719 / 18.3	386 / 574	44	529 / 240	6.5 / 164
4D010M060400000	4	6	8	0.929 / 23.6	631 / 939	60	839 / 380	8.4 / 212
4D010M040400000	4	4	8	1.045 / 26.6	872 / 1298	76	1336 / 606	9.4 / 239
4D010M030400000	4	3	6	1.112 / 28.3	1069 / 1590	92	1684 / 764	10 / 254
4D010M020400000	4	2	6	1.189 / 30.2	1280 / 1904	104	2124 / 964	10.7 / 272
4D010M010440000	4	1	6	1.351 / 34.3	1614 / 2402	116	2678 / 1215	12.2 / 309
4D010M1/0440000	4	1/0	6	1.448 / 36.8	1911 / 2844	136	3379 / 1533	13 / 331
4D010M2/0440000	4	2/0	6	1.551 / 39.4	2339 / 3481	156	4259 / 1932	14 / 355
4D010M3/0440000	4	3/0	4	1.674 / 42.5	2877 / 4282	180	5343 / 2423	15.1 / 383
4D010M4/0440000	4	4/0	4	1.869 / 47.5	3632 / 5405	208	6771 / 3071	16.8 / 427
4D010M250460000	4	250	4	2.028 / 51.5	4174 / 6212	232	8000 / 3629	18.3 / 464
4D010M300460000	4	300	4	2.156 / 54.8	4899 / 7290	256	9600 / 4355	19.4 / 493
4D010M350460000	4	350	3	2.276 / 57.8	5627 / 8374	280	11200 / 5080	20.5 / 520
4D010M500460000	4	500	3	2.585 / 65.7	7737 / 11514	344	16000 / 7258	23.3 / 591
4D010M750460000	4	750	2	3.076 / 78.1	11373 / 16925	428	24000 / 10886	27.7 / 703

*Ampacity value based on Canadian Electrical Code, Version 2018, Table-2. Ampacity of 4 conductors cable is based on 3 current-carrying conductors and 1 neutral.

CSA Unarmoured Tray Power, Single Conductor, 1000 V

Tray Power Control cables are suitable for use in ventilated, non-ventilated and ladder type cable trays, direct burial, raceways and for exposed or concealed wiring in wet, damp or dry locations in -40°C (-40°F) environments. Applicable for use in Utilities, Industrial and Commercial applications.

Standards:



- 1 – Strand Bare (ASTM B8) Annealed Copper Conductors
- 2 – XLPE (RW90 Rated) Insulated Conductor
- 3 – FR PVC Outer Protective Jacket

Product Construction

Insulation:

- XLPE (RW90 rated) rated: 90°C wet/105°C dry

Shielding:

- OS (optional)

Jacket:

- FR PVC outer black jacket rated: 90°C to -40°C

Available in:

- Custom insulation/jacket colours
- Composite constructions
- Aluminum conductors

Certification/Compliances

- CSA C22.2 NO. 230, Tray Cables (TC)
- CSA C22.2 NO. 239, Control & Instrumentation Cables (Type CIC)
- CSA C22.2 NO. 38, Thermoset Insulated Wires & Cables (XLPE)
- CSA FT4, UL 1685 FT4, Vertical Tray Flame Test rated
- IEEE 383 & 1202 (70,000 BTU/hr), Vertical Flame Test rated
- ICEA T-30-520 (70,000 BTU/hr), Vertical Flame Test rated
- XLPE (RW90 rated), 90°C wet/105°C dry
- UV sunlight resistant "SUN RES" (all colours)
- Direct burial rated
- -40°C cold bend/impact rated
- Rated for use in hazardous locations:
 - Class I Zone 0 (Intrinsically Safe cables only)
 - Class I Zone 2 (Div 2)

1000 V

Voltage

Optional:
600/2000 V

Colour Coding

- Black conductor (standard)

CSA Type TC

Power

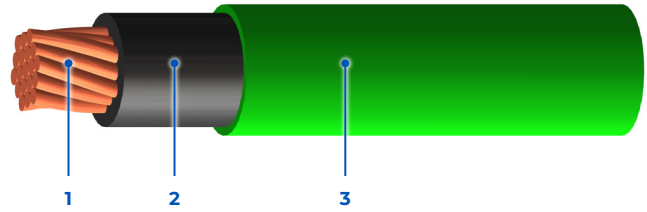
CSA Unarmoured Tray Power, Single Conductor, 1000 V

PART NUMBER	NUMBER OF CONDUCTORS	CONDUCTOR SIZE	NOMINAL DIAMETER OVERALL CABLE	CABLE WEIGHT	AMPACITY	MAX. PULLING TENSION (PULLING EYE)	MIN. BEND RADIUS (PULL)
		<i>AWG/kcmil</i>	<i>in/mm</i>	<i>lbs/1000ft kg/km</i>	<i>30°C ambient</i>	<i>lb/kg</i>	<i>in/mm</i>
4D010M1/0140000	1	1/0	0.628 / 16.0	443 / 659	260	845 / 383	5.7 / 144
4D010M2/0140000	1	2/0	0.671 / 17.0	539 / 803	300	1065 / 483	6 / 153
4D010M3/0140000	1	3/0	0.722 / 18.3	661 / 984	350	1336 / 606	6.5 / 165
4D010M4/0140000	1	4/0	0.778 / 19.8	812 / 1209	405	1693 / 768	7 / 178
4D010M250160000	1	250	0.884 / 22.5	975 / 1450	455	2000 / 907	8 / 202
4D010M300160000	1	300	0.937 / 23.8	1145 / 1704	500	2400 / 1089	8.4 / 214
4D010M350160000	1	350	0.987 / 25.1	1316 / 1958	570	2800 / 1270	8.9 / 226
4D010M500160000	1	500	1.115 / 28.3	1819 / 2707	700	4000 / 1814	10 / 255
4D010M750160000	1	750	1.294 / 32.9	2650 / 3944	885	6000 / 2722	11.6 / 296
4D010MA00160000	1	1000	1.443 / 36.7	3459 / 5147	1055	8000 / 3629	13 / 330

*Ampacity value based on Canadian Electrical Code, Version 2018, Table-1.

CSA Safe-T-Ground Green/Stripes, Single Conductor, 1000 V

Tray cables are suitable for use in ventilated, non-ventilated and ladder type cable trays, direct burial, raceways and for exposed or concealed wiring in wet, damp or dry locations in -40°C (-40°F) environments. Applicable for use in Utilities, Industrial and Commercial applications.

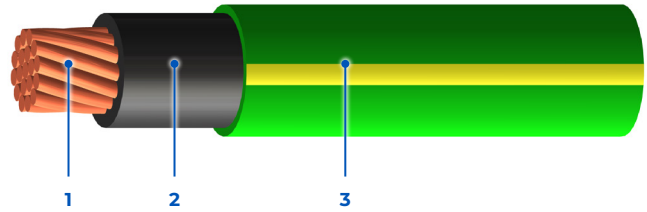


Green Conductor

1 – Stranded Bare (ASTM B8) Annealed Copper Conductors

2 – XLPE (RW90 Rated) Insulated Conductor

3 – FR PVC Outer Green Protective jacket



Safe-T-Stripes Conductor

1 – Strand Bare (ASTM B8) Annealed Copper Conductors

2 – XLPE (RW90 Rated) Insulated Conductor

3 – FR PVC Outer Green with Dual SAFE-T-STRIPES Protective Jacket

Standards:



Product Construction

Insulation:

- XLPE (RW90 rated) rated: 90°C wet/dry

Jacket:

- FR PVC outer green jacket rated: 90°C to -40°C

Available in:

- Custom insulation/jacket colours
- Aluminum conductors
- Solid green or green dual yellow SAFE-T-STRIPES for instrumentation/isolated grounding identification

Certification/Compliances

- CSA C22.2 No. 230, Tray Cables (TC)[†]
- CSA C22.2 No. 38, Thermoset Insulated Wires & Cables (XLPE)
- CSA FT4, UL 1685 FT4, Vertical Tray Flame Test rated
- IEEE 383 & 1202 (70,000 BTU/hr), Vertical Flame Test rated
- XLPE (RW90 rated), 90°C wet/dry
- UV sunlight resistant "SUN RES" (all colours)
- Direct burial rated[†]
- -40°C cold bend/impact rated

- Rated for use in hazardous locations:

- Zone 0 (Class 1, Division 1) (Intrinsically Safe circuits only)
- Zone 2 (Class I, Division 2)
- Zone 22 (Class II & III, Division 2)

- 1/0 and larger CSA TC rated

Colour Coding

- Black conductor (standard)

1000 V

Voltage (Optional: 600, 2000 V)

CSA Type RW90 TC

Grounding

[†]Type TC, Direct Burial rating, and referenced hazardous locations usage are only applicable to conductor sizes 1/0 AWG and larger.

CSA Safe-T-Ground Green/Stripes, Single Conductor, 1000 V

Green Conductor

PART NUMBER	NUMBER OF CONDUCTORS	CONDUCTOR SIZE	NOMINAL DIAMETER OVERALL CABLE	CABLE WEIGHT	AMPACITY*	MAX PULLING TENSION (PULLING EYE)	MIN BEND RADIUS (PULL)
		(AWG/kcmil)	(in/mm)	(lbs/1000ft) (kg/km)	(30°C ambient)	(lb/kg)	(in/mm)
4D010M08010G000	1	8	18	0.307 / 7.8	80	132 / 60	2.8 / 70
4D010M06010G000	1	6	16	0.374 / 9.5	105	210 / 95	3.4 / 85
4D010M04010G000	1	4	14	0.421 / 10.7	140	334 / 151	3.8 / 96
4D010M03010G000	1	3	12	0.448 / 11.4	165	421 / 191	4 / 102
4D010M02010G000	1	2	12	0.479 / 12.2	190	531 / 241	4.3 / 109
4D010M01014G000	1	1	10	0.588 / 14.9	220	670 / 304	5.3 / 134
4D010M1/014G000	1	1/0	10	0.628 / 16.0	260	845 / 383	5.7 / 144
4D010M2/014G000	1	2/0	10	0.671 / 17.0	300	1065 / 483	6 / 153
4D010M3/014G000	1	3/0	10	0.722 / 18.3	350	1336 / 606	6.5 / 165
4D010M4/014G000	1	4/0	8	0.778 / 19.8	405	1693 / 768	7 / 178
4D010M25016G000	1	250	8	0.884 / 22.5	455	2000 / 907	8 / 202
4D010M35016G000	1	350	8	0.987 / 25.1	570	2800 / 1270	8.9 / 226
4D010M50016G000	1	500	6	1.115 / 28.3	700	4000 / 1814	10 / 255
4D010M75016G000	1	750	6	1.294 / 32.0	885	6000 / 2722	11.6 / 296

* Ampacity value based on Canadian Electrical Code, Part 1 (2021 25th Edition), Table 1.

CSA Safe-T-Ground Green/Stripes, Single Conductor, 1000 V

Safe-T-Stripes Conductor

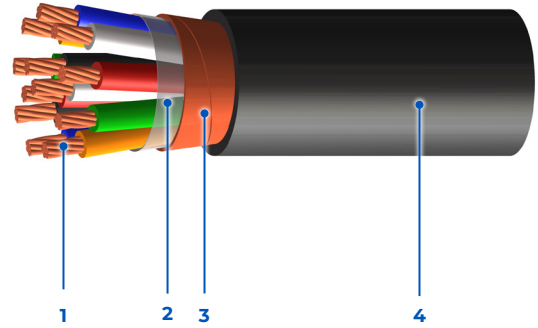
PART NUMBER	NUMBER OF CONDUCTORS	CONDUCTOR SIZE	NOMINAL DIAMETER OVERALL CABLE	CABLE WEIGHT	AMPACITY*	MAX PULLING TENSION (PULLING EYE)	MIN BEND RADIUS (PULL)
		(AWG/kcmil)	(in/mm)	(lbs/1000ft) (kg/km)	(30°C ambient)	(lb/kg)	(in/mm)
4D010M08010G00Y	1	8	0.307 / 7.8	82 / 123	80	132 / 60	2.8 / 70
4D010M06010G00Y	1	6	0.374 / 9.5	126 / 188	105	210 / 95	3.4 / 85
4D010M04010G00Y	1	4	0.421 / 10.7	183 / 272	140	334 / 151	3.8 / 96
4D010M03010G00Y	1	3	0.448 / 11.4	221 / 329	165	421 / 191	4 / 102
4D010M02010G00Y	1	2	0.479 / 12.2	269 / 401	190	531 / 241	4.3 / 109
4D010M01014G00Y	1	1	0.588 / 14.9	365 / 543	220	670 / 304	5.3 / 134
4D010M1/014G00Y	1	1/0	0.628 / 16.0	443 / 659	260	845 / 383	5.7 / 144
4D010M2/014G00Y	1	2/0	0.671 / 17.0	540 / 804	300	1065 / 483	6 / 153
4D010M3/014G00Y	1	3/0	0.722 / 18.3	662 / 985	350	1336 / 606	6.5 / 165
4D010M4/014G00Y	1	4/0	0.778 / 19.8	813 / 1210	405	1693 / 768	7 / 178
4D010M25016G00Y	1	250	0.884 / 22.5	976 / 1452	455	2000 / 907	8 / 202
4D010M35016G00Y	1	350	0.987 / 25.1	1317 / 1960	570	2800 / 1270	8.9 / 226
4D010M50016G00Y	1	500	1.115 / 28.3	1821 / 2709	700	4000 / 1814	10 / 255
4D010M75016G00Y	1	750	1.294 / 32.9	2652 / 3946	885	6000 / 2722	11.6 / 296

* Ampacity value based on Canadian Electrical Code, Part 1 (2021 25th Edition), Table 1.

CSA Utility Unarmoured Power & Control, Multi-Conductor, 1000 V

Utility cables are the ideal choice for applications that require an extra level of durability and noise protection in Utility applications.

Standards:



- 1 – Stranded Bare (ASTM B8) Annealed Copper Conductors (Tin-coated Available)
- 2 – XLPE (RW90 Rated) Insulated Conductors

- 3 – Bare/Tin-coated Copper Tape Shield
- 4 – FR PVC Outer Protective Jacket

Product Construction

Insulation:

- XLPE (RW90 rated) rated: 90°C wet/105°C dry

Shielding:

- Copper tape shield (standard)
- Available in various configurations

Armour:

- Aluminum Interlocked Armour (AIA) (optional)
- Steel Interlocked Armour (SIA) (optional)
- Serve Wired Armour (SWA) (optional)

Jacket:

- FR PVC outer black jacket rated: 90°C to -40°C

Available in:

- Custom insulation/jacket colours
- LSZH Jacket
- 1-50 Conductor, pairs & triads & composite constructions

Certification/Compliances

- CSA C22.2 #230, Tray Cables (TC)
- C22.2 #239, Instrumentation, (CIC)
- CSA C22.2 #38, Thermoset Insulated Wires & Cables (XLPE)
- CSA FT4, UL 1685 FT4, Vertical Tray Flame Test rated
- IEEE 383 & 1202 (70,000 BTU/hr), Vertical Flame Test rated
- ICEA T-30-520 (70,000 BTU/hr), Vertical Flame Test rated
- UV sunlight resistant "SUN RES" (all colours)
- Direct burial rated
- - 40°C cold bend/impact rated
- Rated for use in hazardous locations:
 - Class I Zone 0 (Intrinsically Safe cables only)
 - Class I Zone 2 (Div 2)

1000 V

Voltage

Optional:
300/600/2000 V

Colour Coding

- 2C – Black & white
- 3C – Black, red & blue
- 4C – Black, red, blue and white
- 5C-50C – Black # coded (colour coding available)

CSA Type TC

Power & Control

CSA Utility Unarmoured Power & Control, Multi-Conductor, 1000 V

PART NUMBER	NUMBER OF CONDUCTORS	CONDUCTOR SIZE	GROUND WIRE SIZE	NOMINAL DIAMETER OVERALL CABLE	CABLE WEIGHT	AMPACITY	MAX. PULLING TENSION (PULLING EYE)	MIN. BEND RADIUS (PULL)
		AWG/kcmil	AWG/kcmil	in/mm	lbs/1000ft kg/km	30°C ambient	lb/kg	in/mm
4D01HM140300000	3	14	14	0.494 / 12.5	161 / 239	25	99 / 45	8.9 / 226
4D01HM120300000	3	12	12	0.564 / 14.3	218 / 325	30	157 / 71	10.1 / 258
4D01HM100300000	3	10	10	0.619 / 15.7	287 / 427	40	249 / 113	11.1 / 283
4D01HM080300000	3	8	10	0.684 / 17.4	375 / 558	55	397 / 180	12.3 / 313
4D01HM060300000	3	6	8	0.833 / 21.2	558 / 831	75	629 / 285	15 / 381
4D01HM040300000	3	4	8	0.950 / 24.1	782 / 1164	95	1002 / 454	17.1 / 435
4D01HM020300000	3	2	6	1.075 / 27.3	1112 / 1654	130	1593 / 723	19.4 / 492
4D01HM010340000	3	1	6	1.245 / 31.6	1392 / 2072	145	2009 / 911	22.4 / 569
4D01HM1/0340000	3	1/0	6	1.331 / 33.8	1639 / 2439	170	2534 / 1150	24 / 608
4D01HM2/0340000	3	2/0	6	1.423 / 36.2	1957 / 2912	195	3194 / 1449	25.6 / 651
4D01HM3/0340000	3	3/0	4	1.533 / 38.9	2413 / 3592	225	4007 / 1818	27.6 / 701
4D01HM4/0340000	3	4/0	4	1.653 / 42.0	2922 / 4349	260	5078 / 2304	29.8 / 756
4D01HM250360000	3	250	4	1.855 / 47.1	3455 / 5141	290	6000 / 2722	33.4 / 848
4D01HM350360000	3	350	3	2.077 / 52.8	4615 / 6868	350	8400 / 3810	37.4 / 950
4D01HM500360000	3	500	3	2.352 / 59.7	6257 / 9311	430	12000 / 5443	42.3 / 1075
4D01HM750360000	3	750	2	2.737 / 69.5	8992 / 13381	535	18000 / 8165	49.3 / 1251

*Ampacity value based on Canadian Electrical Code, Version 2018, Table-2.

TECK 90 POWER/ CONTROL

PROVIDING ALUMINUM INTERLOCKED ARMOUR (AIA), AND STEEL INTERLOCKED ARMOUR (SIA), FOR HARSH ENVIORNMENTS

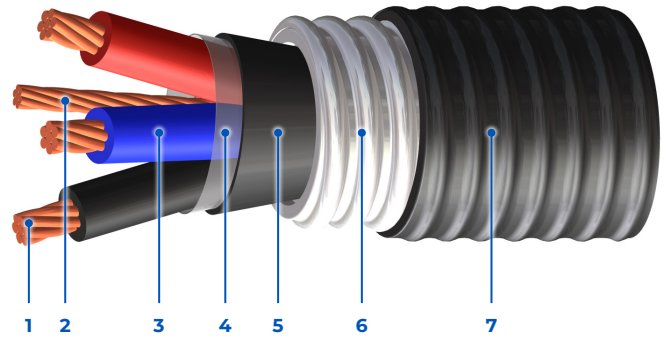
Prefabricated electrical assembly offers fewer installation steps, dramatically reducing installation time and cost. Eliminate the use of costly conduit or burial piping. Ready to install as soon as it arrives at the job site, instead of separately shipping and assembling traditional conduit and cables. Aluminum interlock armour provides great flexibility, impact and abrasion-resistance during transportation and installation, ensuring your cables never get crushed or damaged. The extra inner jacket provides significant protection against corrosive gases, liquids and vapors which could penetrate under the armour in hazardous conditions. This added protection makes this cable ideal for protecting your personnel and electronic equipment in hazardous conditions.

TECK 90 POWER/CONTROL	42-67
CSA TECK90 Armoured Control, Multi-Conductor, 600V.....	43
CSA TECK90 Armoured Control, Multi-Conductor, 1000V.....	46
CSA TECK90 Armoured Power, Single-Conductor, 1000V.....	49
CSA TECK90 Armoured Power, Multi-Conductor, 1000V.....	51
CSA TECK90 Armoured Power, Single-Conductor, 5000V, Unshielded.....	54
CSA TECK90 Armoured Power, Single-Conductor, 5000V, Shielded.....	56
CSA TECK90 Armoured Power, Multi-Conductor, 5000V, Unshielded.....	58
CSA TECK90 Armoured Power, Multi-Conductor, 5000V, Shielded.....	60
CSA Riser TECK 90 Armoured Mineshaft Cables, 1000V.....	62
CSA Riser TECK 90 Armoured Mineshaft Cables, 5000V, Unshielded.....	64
CSA Riser TECK 90 Armoured Mineshaft Cables, 5000V, Shielded.....	66

CSA TECK90 Armoured Control, Multi-Conductor, 600 V

Unshielded armoured control cable is used for operation of control automation equipment. Interlocked armour replaces the use of conduit for mechanical protection. Cable can be directly buried, installed in raceways, including cable tray in wet or dry environments. Cable is suitable for use in outdoor exposed applications and is rated for damp or dry locations in -40°C (-40°F) environments.

Standards:



- | | |
|--|--|
| 1 – Strand Bare (ASTM B8) Annealed Copper Conductors | 5 – FR LAG PVC Inner Protective Jacket |
| 2 – Grounding/Bonding Conductor | 6 – Aluminum Interlocked Armour (AIA) |
| 3 – XLPE (RW90 Rated) Insulated Conductors | 7 – FR LAG PVC Outer Protective Jacket |
| 4 – Polyester Separator Tape | |

Product Construction

Insulation:

- XLPE (RW90 rated) rated: 90°C wet/dry

Armour:

- Aluminum Interlocked Armour (AIA) (standard)
- Steel Interlocked Armour (SIA) (optional)

Jacket:

- FR LAG PVC (AG14 rated) inner/outer black jacket rated: 90°C to -40°C

Available in:

- Variable Frequency Drive (VFD)
- Ribbed inner-jacketed core for vertical/mineshaft applications
- Custom colour coding
- Custom insulation/jacket colours
- Composite constructions

Certification/Compliances

- CSA C22.2 NO. 131, Teck 90 Cables (Teck 90)
- CSA C22.2 NO. 174, Cables & Cable Glands for use in Hazardous Locations
- CSA C22.2 NO. 38, Thermoset Insulated Wires & Cables (XLPE)
- CSA FT4, UL 1685 FT4, Vertical Tray Flame Test rated
- IEEE 383 & 1202 (70,000 BTU/hr), Vertical Flame Test rated
- ICEA T-30-520 (70,000 BTU/hr), Vertical Flame Test rated
- XLPE (RW90 rated), 90°C wet/dry
- UV sunlight resistant "SUN RES" (all colours)
- Direct burial rated
- -40°C cold bend/impact rated

- HL rated for use in hazardous locations:
 - Class I Zone 0 (Intrinsically Safe cables only)
 - Class I Zone 1 (Div 1)
 - Class I Zone 2 (Div 2)
 - Class II Zone 20, 21 (Div 1)
 - Class II Zone 22 (Div 2)

Colour Coding

- 2C – Black & white
- 3C – Black, red & blue
- 4C – Black, red, blue & white
- 5C to 50C – Black # coded

600 V

Voltage
(Optional: 1000 V)

CSA Type TECK 90

Control

CSA TECK90 Armoured Control, Multi-Conductor, 600 V

PART NUMBER	NUMBER OF CONDUCTORS	CONDUCTOR SIZE <i>(AWG/ kcmil)</i>	GROUND WIRE SIZE <i>(AWG/ kcmil)</i>	OD OVER INNER JACKET <i>(in/mm)</i>	NORMAL DIAMETERS		CABLE WEIGHT <i>(lbs/1000ft) (kg/km)</i>	AMPACITY <i>(30°C ambient)</i>	MAX PULLING TENSION (PULLING EYE) <i>(lb/kg)</i>	MIN BEND RADIUS (PULL) <i>(in/mm)</i>
					OVER ARMOUR <i>(in/mm)</i>	OVERALL CABLE <i>(in/mm)</i>				
86210M140200700	2	14	14	0.372 / 9.5	0.612 / 15.5	0.704 / 17.9	206 / 307	25	66 / 30	12.7 / 322
86210M140300700	3	14	14	0.403 / 10.2	0.643 / 16.3	0.735 / 18.7	233 / 346	25	99 / 45	13.2 / 336
86210M140400700	4	14	14	0.436 / 11.1	0.676 / 17.2	0.768 / 19.5	260 / 387	20	132 / 60	13.8 / 351
86210M140500700	5	14	14	0.465 / 11.8	0.705 / 17.9	0.797 / 20.3	287 / 428	20	165 / 75	14.3 / 364
86210M140600700	6	14	14	0.505 / 12.8	0.745 / 18.9	0.837 / 21.3	319 / 474	20	197 / 90	15.1 / 383
86210M140700700	7	14	14	0.575 / 14.6	0.815 / 20.7	0.907 / 23.0	373 / 555	17.5	230 / 104	16.3 / 415
86210M140800700	8	14	14	0.616 / 15.7	0.856 / 21.7	0.948 / 24.1	407 / 605	17.5	263 / 119	17.1 / 433
86210M141000700	10	14	14	0.668 / 17.0	0.908 / 23.1	1.000 / 25.4	456 / 678	17.5	329 / 149	18 / 457
86210M141200700	12	14	14	0.688 / 17.5	0.928 / 23.6	1.020 / 25.9	494 / 735	17.5	395 / 179	18.4 / 466
86210M141500700	15	14	14	0.741 / 18.8	0.981 / 24.9	1.073 / 27.3	565 / 841	17.5	494 / 224	19.3 / 491
86210M142000700	20	14	14	0.841 / 21.4	1.081 / 27.5	1.173 / 29.8	732 / 1089	17.5	658 / 298	21.1 / 536
86210M142500700	25	14	14	0.974 / 24.7	1.214 / 30.8	1.306 / 33.2	904 / 1345	15	823 / 373	23.5 / 597
86210M143000700	30	14	14	1.028 / 26.1	1.268 / 32.2	1.360 / 34.6	1007 / 1499	15	987 / 448	24.5 / 622
86210M144000700	40	14	14	1.147 / 29.1	1.387 / 35.2	1.479 / 37.6	1231 / 1832	15	1316 / 597	26.6 / 676
86210M145000700	50	14	14	1.272 / 32.3	1.512 / 38.4	1.604 / 40.7	1451 / 2159	12.5	1645 / 746	28.9 / 733
86210M120200700	2	12	14	0.408 / 10.4	0.648 / 16.5	0.740 / 18.8	234 / 349	30	104 / 47	13.3 / 338
86210M120300700	3	12	14	0.443 / 11.3	0.683 / 17.3	0.775 / 19.7	270 / 402	30	157 / 71	13.9 / 354
86210M120400700	4	12	14	0.480 / 12.2	0.720 / 18.3	0.813 / 20.6	308 / 458	24	209 / 95	14.6 / 371
86210M120500700	5	12	14	0.514 / 13.1	0.754 / 19.1	0.846 / 21.5	345 / 513	24	261 / 118	15.2 / 387
86210M120600700	6	12	14	0.589 / 15.0	0.829 / 21.1	0.921 / 23.4	410 / 610	24	313 / 142	16.6 / 421
86210M120700700	7	12	14	0.634 / 16.1	0.874 / 22.2	0.966 / 24.5	454 / 676	21	365 / 166	17.4 / 442
86210M120800700	8	12	14	0.681 / 17.3	0.921 / 23.4	1.013 / 25.7	499 / 743	21	418 / 189	18.2 / 463
86210M121000700	10	12	14	0.740 / 18.8	0.980 / 24.9	1.072 / 27.2	566 / 842	21	522 / 237	19.3 / 490
86210M121200700	12	12	14	0.763 / 19.4	0.983 / 25.0	1.075 / 27.3	663 / 986	21	626 / 284	19.3 / 491
86210M121500700	15	12	14	0.823 / 20.9	1.063 / 27.0	1.155 / 29.3	765 / 1138	21	783 / 355	20.8 / 528
86210M122000700	20	12	14	0.976 / 24.8	1.216 / 30.9	1.308 / 33.2	985 / 1466	21	1044 / 474	23.5 / 598
86210M122500700	25	12	14	1.082 / 27.5	1.322 / 33.6	1.414 / 35.9	1161 / 1728	18	1305 / 592	25.5 / 646
86210M123000700	30	12	14	1.144 / 29.1	1.384 / 35.2	1.476 / 37.5	1308 / 1946	18	1566 / 710	26.6 / 675
86210M124000700	40	12	14	1.278 / 32.5	1.518 / 38.6	1.610 / 40.9	1624 / 2417	18	2088 / 947	29 / 736
86210M125000700	50	12	14	1.420 / 36.1	1.660 / 42.2	1.768 / 44.9	1960 / 2917	15	2610 / 1184	31.8 / 808

*Ampacity value based on Canadian Electrical Code, Version 2018, Table-2. Values are corrected according to Table-5C for number of Conductors.

CSA TECK90 Armoured Control, Multi-Conductor, 600 V

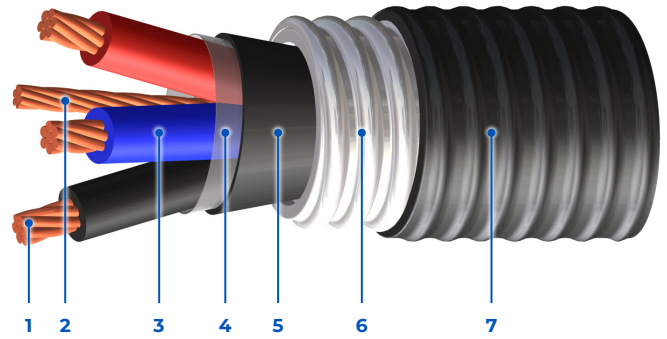
PART NUMBER	NUMBER OF CONDUCTORS	CONDUCTOR SIZE <i>(AWG/ kcmil)</i>	GROUND WIRE SIZE <i>(AWG/ kcmil)</i>	OD OVER INNER JACKET <i>(in/mm)</i>	NORMAL DIAMETERS		CABLE WEIGHT <i>(lbs/1000ft) (kg/km)</i>	AMPACITY <i>(30°C ambient)</i>	MAX PULLING TENSION (PULLING EYE) <i>(lb/kg)</i>	MIN BEND RADIUS (PULL) <i>(in/mm)</i>
					OVER ARMOUR <i>(in/mm)</i>	OVERALL CABLE <i>(in/mm)</i>				
86210M100200700	2	10	12	0.458 / 11.6	0.698 / 17.7	0.790 / 20.1	284 / 422	40	166 / 75	14.2 / 361
86210M100300700	3	10	12	0.498 / 12.7	0.739 / 18.8	0.831 / 21.1	335 / 498	40	249 / 113	14.9 / 380
86210M100400700	4	10	12	0.572 / 14.5	0.812 / 20.6	0.905 / 23.0	410 / 610	32	332 / 151	16.3 / 414
86210M100500700	5	10	12	0.611 / 15.5	0.851 / 21.6	0.943 / 24.0	464 / 690	32	415 / 188	17 / 431
86210M100600700	6	10	12	0.664 / 16.9	0.904 / 23.0	0.996 / 25.3	523 / 778	32	498 / 226	17.9 / 455
86210M100700700	7	10	12	0.717 / 18.2	0.957 / 24.3	1.049 / 26.6	583 / 868	28	581 / 264	18.9 / 480
86210M100800700	8	10	12	0.771 / 19.6	0.991 / 25.2	1.083 / 27.5	686 / 1021	28	664 / 301	19.5 / 495
86210M101000700	10	10	12	0.840 / 21.3	1.080 / 27.4	1.172 / 29.8	788 / 1172	28	830 / 376	21.1 / 536
86210M101200700	12	10	12	0.906 / 23.0	1.146 / 29.1	1.238 / 31.5	916 / 1363	28	996 / 452	22.3 / 566
86210M101500700	15	10	12	0.977 / 24.8	1.217 / 30.9	1.309 / 33.2	1065 / 1585	28	1245 / 565	23.6 / 598
86210M102000700	20	10	12	1.109 / 28.2	1.349 / 34.3	1.441 / 36.6	1314 / 1955	28	1660 / 753	25.9 / 659
86210M102500700	25	10	12	1.232 / 31.3	1.472 / 37.4	1.564 / 39.7	1564 / 2328	24	2075 / 941	28.2 / 715
86210M103000700	30	10	12	1.304 / 33.1	1.544 / 39.2	1.652 / 42.0	1806 / 2687	24	2490 / 1129	29.7 / 755
86210M104000700	40	10	12	1.461 / 37.1	1.701 / 43.2	1.809 / 45.9	2265 / 3370	24	3320 / 1506	32.6 / 827
86210M105000700	50	10	12	1.626 / 41.3	1.931 / 49.1	2.039 / 51.8	2805 / 4174	20	4150 / 1882	36.7 / 932

*Ampacity value based on Canadian Electrical Code, Version 2018, Table-2. Values are corrected according to Table-5C for number of Conductors.

CSA TECK90 Armoured Control, Multi-Conductor, 1000 V

Unshielded armoured control cable is used for operation of control automation equipment. Interlocked armour replaces the use of conduit for mechanical protection. Cable can be directly buried, installed in raceways, including cable tray in wet or dry environments. Cable is suitable for use in outdoor exposed applications and is rated for damp or dry locations in -40°C (-40°F) environments.

Standards:



- | | |
|--|--|
| 1 – Strand Bare (ASTM B8) Annealed Copper Conductors | 5 – FR LAG PVC Inner Protective Jacket |
| 2 – Grounding/Bonding Conductor | 6 – Aluminum Interlocked Armour (AIA) |
| 3 – XLPE (RW90 Rated) Insulated Conductors | 7 – FR LAG PVC Outer Protective Jacket |
| 4 – Polyester Separator Tape | |

Product Construction

Insulation:

- XLPE (RW90 rated) rated: 90°C wet/dry

Armour:

- Aluminum Interlocked Armour (AIA) (standard)
- Steel Interlocked Armour (SIA) (optional)

Jacket:

- FR LAG PVC (AG14 rated) inner/outer black jacket rated: 90°C to -40°C

Available in:

- Variable Frequency Drive (VFD)
- Ribbed inner-jacketed core for vertical/mineshaft applications
- Custom colour coding
- Custom insulation/jacket colours
- Composite constructions

Certification/Compliances

- CSA C22.2 NO. 131, Teck 90 Cables (Teck 90)
- CSA C22.2 NO. 174, Cables & Cable Glands for use in Hazardous Locations
- CSA C22.2 NO. 38, Thermoset Insulated Wires & Cables (XLPE)
- CSA FT4, UL 1685 FT4, Vertical Tray Flame Test rated
- IEEE 383 & 1202 (70,000 BTU/hr), Vertical Flame Test rated
- ICEA T-30-520 (70,000 BTU/hr), Vertical Flame Test rated
- XLPE (RW90 rated), 90°C wet/dry
- UV sunlight resistant "SUN RES" (all colours)
- Direct burial rated
- -40°C cold bend/impact rated

- Rated for use in hazardous locations:
 - Class I Zone 0 (Intrinsically Safe cables only)
 - Class I Zone 1 (Div 1)
 - Class I Zone 2 (Div 2)
 - Class II Zone 20, 21 (Div 1)
 - Class II Zone 22 (Div 2)

Colour Coding

- 2C – Black & white
- 3C – Black, red & blue
- 4C – Black, red, blue & white
- 5C to 50C – Black # coded

1000 V

Voltage
(Optional: 600 V)

CSA Type TECK 90

Control

CSA TECK90 Armoured Control, Multi-Conductor, 1000 V

PART NUMBER	NUMBER OF CONDUCTORS	CONDUCTOR SIZE <i>(AWG/ kcmil)</i>	GROUND WIRE SIZE <i>(AWG/ kcmil)</i>	OD OVER INNER JACKET <i>(in/mm)</i>	NORMAL DIAMETERS		CABLE WEIGHT <i>(lbs/1000ft) (kg/km)</i>	AMPACITY <i>(30°C ambient)</i>	MAX PULLING TENSION (PULLING EYE) <i>(lb/kg)</i>	MIN BEND RADIUS (PULL) <i>(in/mm)</i>
					OVER ARMOUR <i>(in/mm)</i>	OVERALL CABLE <i>(in/mm)</i>				
80210M140200700	2	14	14	0.432 / 11.0	0.672 / 17.1	0.764 / 19.4	231 / 344	25	66 / 30	13.8 / 349
80210M140300700	3	14	14	0.470 / 11.9	0.710 / 18.0	0.802 / 20.4	262 / 391	25	99 / 45	14.4 / 366
80210M140400700	4	14	14	0.510 / 13.0	0.750 / 19.1	0.842 / 21.4	295 / 440	20	132 / 60	15.2 / 385
80210M140500700	5	14	14	0.576 / 14.6	0.816 / 20.7	0.908 / 23.1	351 / 523	20	165 / 75	16.3 / 415
80210M140600700	6	14	14	0.625 / 15.9	0.865 / 22.0	0.957 / 24.3	390 / 581	20	197 / 90	17.2 / 438
80210M140700700	7	14	14	0.674 / 17.1	0.914 / 23.2	1.006 / 25.6	430 / 640	17.5	230 / 104	18.1 / 460
80210M140800700	8	14	14	0.724 / 18.4	0.964 / 24.5	1.056 / 26.8	472 / 702	17.5	263 / 119	19 / 483
80210M141000700	10	14	14	0.788 / 20.0	1.028 / 26.1	1.120 / 28.5	573 / 853	17.5	329 / 149	20.2 / 512
80210M141200700	12	14	14	0.813 / 20.6	1.053 / 26.7	1.145 / 29.1	620 / 923	17.5	395 / 179	20.6 / 523
80210M141500700	15	14	14	0.918 / 23.3	1.158 / 29.4	1.250 / 31.7	749 / 1115	17.5	494 / 224	22.5 / 571
80210M142000700	20	14	14	1.040 / 26.4	1.280 / 32.5	1.372 / 34.9	904 / 1345	17.5	658 / 298	24.7 / 627
80210M142500700	25	14	14	1.154 / 29.3	1.394 / 35.4	1.486 / 37.7	1058 / 1575	15	823 / 373	26.7 / 679
80210M143000700	30	14	14	1.221 / 31.0	1.461 / 37.1	1.553 / 39.4	1177 / 1751	15	987 / 448	28 / 710
80210M144000700	40	14	14	1.366 / 34.7	1.606 / 40.8	1.714 / 43.5	1471 / 2188	15	1316 / 597	30.9 / 784
80210M145000700	50	14	14	1.519 / 38.6	1.759 / 44.7	1.867 / 47.4	1731 / 2577	12.5	1645 / 746	33.6 / 854
80210M120200700	2	12	14	0.468 / 11.9	0.708 / 18.0	0.800 / 20.3	260 / 386	30	104 / 47	14.4 / 366
80210M120300700	3	12	14	0.510 / 13.0	0.750 / 19.0	0.842 / 21.4	302 / 449	30	157 / 71	15.2 / 385
80210M120400700	4	12	14	0.585 / 14.9	0.825 / 21.0	0.917 / 23.3	368 / 548	24	209 / 95	16.5 / 419
80210M120500700	5	12	14	0.625 / 15.9	0.865 / 22.0	0.957 / 24.3	412 / 613	24	261 / 118	17.2 / 437
80210M120600700	6	12	14	0.679 / 17.3	0.919 / 23.3	1.011 / 25.7	462 / 688	24	313 / 142	18.2 / 462
80210M120700700	7	12	14	0.733 / 18.6	0.973 / 24.7	1.065 / 27.1	514 / 764	21	365 / 166	19.2 / 487
80210M120800700	8	12	14	0.789 / 20.1	1.029 / 26.2	1.121 / 28.5	612 / 910	21	418 / 189	20.2 / 513
80210M121000700	10	12	14	0.900 / 22.9	1.140 / 29.0	1.232 / 31.3	735 / 1094	21	522 / 237	22.2 / 563
80210M121200700	12	12	14	0.927 / 23.6	1.167 / 29.7	1.259 / 32.0	801 / 1193	21	626 / 284	22.7 / 576
80210M121500700	15	12	14	1.000 / 25.4	1.240 / 31.5	1.332 / 33.8	919 / 1368	21	783 / 355	24 / 609
80210M122000700	20	12	14	1.135 / 28.8	1.375 / 34.9	1.467 / 37.3	1121 / 1669	21	1044 / 474	26.4 / 671
80210M122500700	25	12	14	1.262 / 32.1	1.502 / 38.2	1.594 / 40.5	1325 / 1972	18	1305 / 592	28.7 / 729
80210M123000700	30	12	14	1.336 / 33.9	1.576 / 40.0	1.684 / 42.8	1517 / 2257	18	1566 / 710	30.3 / 770
80210M124000700	40	12	14	1.497 / 38.0	1.737 / 44.1	1.845 / 46.9	1880 / 2797	18	2088 / 947	33.2 / 844
80210M125000700	50	12	14	1.667 / 42.4	1.972 / 50.1	2.080 / 52.8	2325 / 3460	15	2610 / 1184	37.4 / 951

*Ampacity value based on Canadian Electrical Code, Version 2018, Table-2. Values are corrected according to Table-5C for number of Conductors.

CSA TECK90 Armoured Control, Multi-Conductor, 1000 V

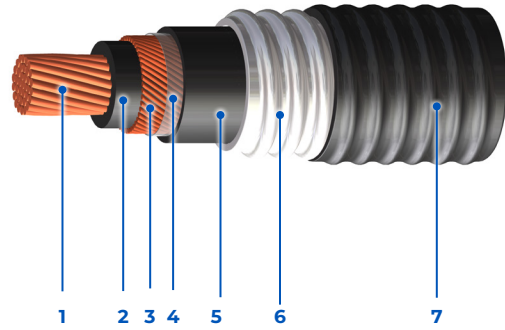
PART NUMBER	NUMBER OF CONDUCTORS	CONDUCTOR SIZE <i>(AWG/ kcmil)</i>	GROUND WIRE SIZE <i>(AWG/ kcmil)</i>	OD OVER INNER JACKET <i>(in/mm)</i>	NORMAL DIAMETERS		CABLE WEIGHT <i>(lbs/1000ft) (kg/km)</i>	AMPACITY <i>(30°C ambient)</i>	MAX PULLING TENSION (PULLING EYE) <i>(lb/kg)</i>	MIN BEND RADIUS (PULL) <i>(in/mm)</i>
					OVER ARMOUR <i>(in/mm)</i>	OVERALL CABLE <i>(in/mm)</i>				
80210M100200700	2	10	12	0.518 / 13.2	0.758 / 19.3	0.850 / 21.6	310 / 462	40	166 / 75	15.3 / 389
80210M100300700	3	10	12	0.595 / 15.1	0.835 / 21.2	0.927 / 23.6	391 / 581	40	249 / 113	16.7 / 424
80210M100400700	4	10	12	0.647 / 16.4	0.887 / 22.5	0.979 / 24.9	450 / 670	32	332 / 151	17.6 / 448
80210M100500700	5	10	12	0.692 / 17.6	0.932 / 23.7	1.024 / 26.0	511 / 760	32	415 / 188	18.4 / 468
80210M100600700	6	10	12	0.754 / 19.2	0.994 / 25.3	1.086 / 27.6	579 / 862	32	498 / 226	19.5 / 497
80210M100700700	7	10	12	0.816 / 20.7	1.056 / 26.8	1.148 / 29.2	693 / 1031	28	581 / 264	20.7 / 525
80210M100800700	8	10	12	0.920 / 23.4	1.160 / 29.5	1.252 / 31.8	812 / 1209	28	664 / 301	22.5 / 572
80210M101000700	10	10	12	1.000 / 25.4	1.240 / 31.5	1.332 / 33.8	924 / 1374	28	830 / 376	24 / 609
80210M101200700	12	10	12	1.031 / 26.2	1.271 / 32.3	1.363 / 34.6	1019 / 1516	28	996 / 452	24.5 / 623
80210M101500700	15	10	12	1.113 / 28.3	1.353 / 34.4	1.445 / 36.7	1181 / 1758	28	1245 / 565	26 / 661
80210M102000700	20	10	12	1.268 / 32.2	1.508 / 38.3	1.600 / 40.6	1460 / 2173	28	1660 / 753	28.8 / 731
80210M102500700	25	10	12	1.412 / 35.9	1.652 / 42.0	1.760 / 44.7	1767 / 2629	24	2075 / 941	31.7 / 805
80210M103000700	30	10	12	1.496 / 38.0	1.736 / 44.1	1.844 / 46.9	2004 / 2983	24	2490 / 1129	33.2 / 843
80210M104000700	40	10	12	1.680 / 42.7	1.985 / 50.4	2.093 / 53.2	2606 / 3878	24	3320 / 1506	37.7 / 957
80210M105000700	50	10	12	1.933 / 49.1	2.238 / 56.9	2.346 / 59.6	3241 / 4823	20	4150 / 1882	42.2 / 1073

*Ampacity value based on Canadian Electrical Code, Version 2018, Table-2. Values are corrected according to Table-5C for number of Conductors.

CSA TECK90 Armoured Power, Single-Conductor, 1000 V

Unshielded armoured power cable is used to supply power for lighting, drives, motors and pumps. Interlocked armour replaces the use of conduit for mechanical protection. Cable can be directly buried, installed in raceways, including cable tray in wet or dry environments. Cable is suitable for use in outdoor exposed applications and is rated for damp or dry locations in -40°C (-40°F) environments.

Standards:



- 1 – Strand Bare (ASTM B8) Annealed Copper Conductor
- 2 – XLPE (RW90 Rated) Insulated Conductor
- 3 – Serve/Wound Grounds
- 4 – Polyester Separator Tape
- 5 – FR LAG PVC Inner Protective Jacket
- 6 – Aluminum Interlocked Armour (AIA)
- 7 – FR LAG PVC Outer Protective Jacket

Product Construction

Insulation:

- XLPE (RW90 rated) rated: 90°C wet/dry

Grounding/Bonding Conductor:

- Concentric serving of solid bare copper wires applied over the insulation

Armour:

- Aluminum Interlocked Armour (AIA) (standard)

Jacket:

- FR LAG PVC (AG14 rated) outer black jacket rated: 90°C to -40°C

Available in:

- Ribbed inner-jacketed core for vertical/mineshaft applications
- Custom colour coding
- Custom insulation/jacket colours
- Aluminum conductors

Certification/Compliances

- CSA C22.2 NO. 131, Teck 90 Cables (Teck 90)
- CSA C22.2 NO. 174, Cables & Cable Glands for use in Hazardous Locations
- CSA C22.2 NO. 38, Thermoset Insulated Wires & Cables (XLPE)
- CSA FT4, UL 1685 FT4, Vertical Tray Flame Test rated
- IEEE 383 & 1202 (70,000 BTU/hr), Vertical Flame Test rated
- ICEA T-30-520 (70,000 BTU/hr), Vertical Flame Test rated
- XLPE (RW90 rated), 90°C wet/dry
- UV sunlight resistant "SUN RES" (all colours)
- Direct burial rated
- -40°C cold bend/impact rated
- Rated for use in hazardous locations:
 - Class I Zone 0 (Intrinsically Safe cables only)
 - Class I Zone 1 (Div 1)
 - Class I Zone 2 (Div 2)
 - Class II Zone 20, 21 (Div 1)
 - Class II Zone 22 (Div 2)

1000 V

Voltage

Optional: 600 V

CSA Type TECK 90

Power

Colour Coding

- Black conductor (standard)

CSA TECK90 Armoured Power, Single-Conductor, 1000 V

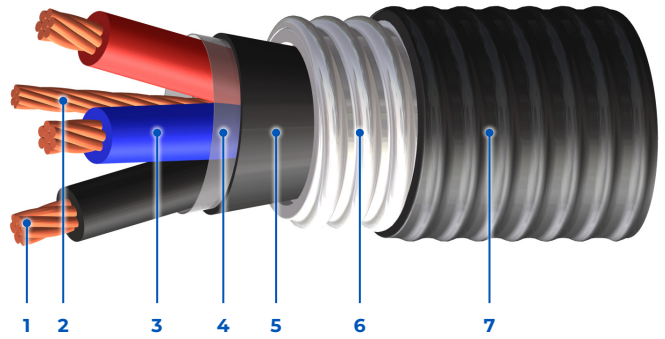
PART NUMBER	NUMBER OF CONDUCTORS	CONDUCTOR SIZE	GROUND WIRE SIZE	OD OVER INNER JACKET	NORMAL DIAMETERS		CABLE WEIGHT	AMPACITY	MAX. PULLING TENSION (PULLING EYE)	MIN. BEND RADIUS (PULL)
					OVER ARMOUR	OVERALL CABLE				
		AWG/kcmil	AWG/kcmil	in/mm	in/mm	in/mm	lbs/1000ft kg/km	30°C ambient	lb/kg	in/mm
80210M040100700	1	4	6	0.523 / 13.3	0.763 / 19.3	0.855 / 21.7	442 / 658	140	334 / 151	15.4 / 391
80210M020100700	1	2	6	0.581 / 14.8	0.821 / 20.9	0.913 / 23.2	541 / 805	190	531 / 241	16.4 / 417
80210M010140700	1	1	4	0.716 / 18.2	0.956 / 24.3	1.048 / 26.6	721 / 1073	220	670 / 304	18.9 / 479
80210M1/0140700	1	1/0	4	0.756 / 19.2	0.996 / 25.3	1.088 / 27.6	807 / 1201	260	845 / 383	19.6 / 497
80210M2/0140700	1	2/0	4	0.799 / 20.3	1.039 / 26.4	1.131 / 28.7	956 / 1423	300	1065 / 483	20.4 / 517
80210M3/0140700	1	3/0	3	0.850 / 21.6	1.090 / 27.7	1.182 / 30.0	1116 / 1661	350	1336 / 606	21.3 / 540
80210M4/0140700	1	4/0	3	0.906 / 23.0	1.146 / 29.1	1.238 / 31.5	1279 / 1904	405	1693 / 768	22.3 / 566
80210M250160700	1	250	2	1.002 / 25.5	1.242 / 31.6	1.334 / 33.9	1518 / 2260	455	2000 / 907	24 / 610
80210M300160700	1	300	2	1.055 / 26.8	1.295 / 32.9	1.387 / 35.2	1701 / 2532	500	2400 / 1089	25 / 634
80210M350160700	1	350	1	1.105 / 28.1	1.345 / 34.2	1.437 / 36.5	1938 / 2885	570	2800 / 1270	25.9 / 657
80210M500160700	1	500	1/0	1.233 / 31.3	1.473 / 37.4	1.565 / 39.8	2542 / 3782	700	4000 / 1814	28.2 / 716
80210M750160700	1	750	2/0	1.412 / 35.9	1.652 / 42.0	1.760 / 44.7	3541 / 5270	885	6000 / 2722	31.7 / 805
80210MA00160700	1	1000	2/0	1.561 / 39.7	1.866 / 47.4	1.974 / 50.1	4474 / 6658	1055	8000 / 3629	35.5 / 903

*Ampacity value based on Canadian Electrical Code, Version 2018, Table-2.

CSA TECK90 Armoured Power, Multi-Conductor, 1000 V

Unshielded armoured power cable is used to supply power for lighting, drives, motors and pumps. Interlocked armour replaces the use of conduit for mechanical protection. Cable can be directly buried, installed in raceways, including cable tray in wet or dry environments. Cable is suitable for use in outdoor exposed applications and is rated for damp or dry locations in -40°C (-40°F) environments.

Standards:



- 1 – Strand Bare (ASTM B8) Annealed Copper Conductors
- 2 – Grounding/Bonding Conductor
- 3 – XLPE (RW90 Rated) Insulated Conductors
- 4 – Polyester Separator Tape
- 5 – FR LAG PVC Inner Protective Jacket
- 6 – Aluminum Interlocked Armour (AIA)
- 7 – FR LAG PVC Outer Protective Jacket

Product Construction

Insulation:

- XLPE (RW90 rated) rated: 90°C wet/dry

Armour:

- Aluminum Interlocked Armour (AIA) (standard)
- Steel Interlocked Armour (SIA) (optional)

Jacket:

- FR LAG PVC (AG14 rated) inner/outer black jacket rated: 90°C to -40°C

Available in:

- Variable Frequency Drive (VFD)
- Ribbed inner-jacketed core for vertical/mineshaft applications
- Custom colour coding
- Custom insulation/jacket colours
- Composite constructions
- Aluminum conductors

Certification/Compliances

- CSA C22.2 NO. 131, Teck 90 Cables (Teck 90)
- CSA C22.2 NO. 174, Cables & Cable Glands for use in Hazardous Locations
- CSA C22.2 NO. 38, Thermoset Insulated Wires & Cables (XLPE)
- CSA FT4, UL 1685 FT4, Vertical Tray Flame Test rated
- IEEE 383 & 1202 (70,000 BTU/hr), Vertical Flame Test rated
- ICEA T-30-520 (70,000 BTU/hr), Vertical Flame Test rated
- XLPE (RW90 rated), 90°C wet/dry
- UV sunlight resistant "SUN RES" (all colours)
- Direct burial rated
- -40°C cold bend/impact rated

- Rated for use in hazardous locations:

- Class I Zone 0 (Intrinsically Safe cables only)
- Class I Zone 1 (Div 1)
- Class I Zone 2 (Div 2)
- Class II Zone 20, 21 (Div 1)
- Class II Zone 22 (Div 2)

Colour Coding

- 2C – Black & white
- 3C – Black, red & blue
- 4C – Black, red, blue & white
- 5C to 50C – Black # coded

1000 V

Voltage
(Optional: 600 V)

CSA Type TECK 90

Power

CSA TECK90 Armoured Power, Multi-Conductor, 1000 V

PART NUMBER	NUMBER OF CONDUCTORS	CONDUCTOR SIZE	GROUND WIRE SIZE	OD OVER INNER JACKET	NORMAL DIAMETERS		CABLE WEIGHT	AMPACITY	MAX PULLING TENSION (PULLING EYE)	MIN BEND RADIUS (PULL)
					OVER ARMOUR	OVERALL CABLE				
		(AWG/ kcmil)	(AWG/ kcmil)	(in/mm)	(in/mm)	(in/mm)	(lbs/1000ft) (kg/km)	(30°C ambient)	(lb/kg)	(in/mm)
80210M080200700	2	8	10	0.606 / 15.4	0.846 / 21.5	0.938 / 23.8	409 / 608	55	265 / 120	16.9 / 429
80210M060200700	2	6	8	0.744 / 18.9	0.984 / 25.0	1.076 / 27.3	556 / 827	75	419 / 190	19.4 / 492
80210M040200700	2	4	8	0.838 / 21.3	1.078 / 27.4	1.170 / 29.7	743 / 1105	95	668 / 303	21.1 / 535
80210M030200700	2	3	6	0.932 / 23.7	1.172 / 29.8	1.264 / 32.1	914 / 1361	115	842 / 382	22.8 / 578
80210M020200700	2	2	6	0.994 / 25.3	1.234 / 31.3	1.326 / 33.7	1034 / 1539	130	1062 / 482	23.9 / 606
80210M010240700	2	1	6	1.152 / 29.3	1.392 / 35.4	1.484 / 37.7	1242 / 1848	145	1339 / 607	26.7 / 678
80210M1/0240700	2	1/0	6	1.232 / 31.3	1.472 / 37.4	1.564 / 39.7	1426 / 2122	170	1690 / 766	28.2 / 715
80210M2/0240700	2	2/0	6	1.318 / 33.5	1.558 / 39.6	1.666 / 42.3	1672 / 2489	195	2130 / 966	30 / 762
80210M3/0340700	3	3/0	4	1.513 / 38.4	1.753 / 44.5	1.861 / 47.3	2634 / 3920	225	4007 / 1818	33.5 / 851
80210M4/0240700	2	4/0	4	1.532 / 38.9	1.837 / 46.7	1.945 / 49.4	2427 / 3611	260	3386 / 1536	35 / 889
80210M250260700	2	250	4	1.664 / 42.3	1.969 / 50.0	2.077 / 52.8	2744 / 4084	290	4000 / 1814	37.4 / 950
80210M300260700	2	300	4	1.830 / 46.5	2.135 / 54.2	2.243 / 57.0	3250 / 4837	320	4800 / 2177	40.4 / 1025
80210M350260700	2	350	3	1.930 / 49.0	2.235 / 56.8	2.343 / 59.5	3668 / 5458	350	5600 / 2540	42.2 / 1071
80210M500260700	2	500	3	2.186 / 55.5	2.491 / 63.3	2.623 / 66.6	4843 / 7207	430	8000 / 3629	47.2 / 1199
80210M750260700	2	750	2	2.544 / 64.6	2.849 / 72.3	2.981 / 75.7	6710 / 9985	535	12000 / 5443	53.7 / 1363
80210MA00260700	2	1000	1	2.902 / 73.7	3.207 / 81.5	3.353 / 85.2	8749 / 13012	615	16000 / 7258	40.2 / 1022
80210M080300700	3	8	10	0.660 / 16.8	0.900 / 22.9	0.992 / 25.2	489 / 727	55	329 / 180	11.9 / 302
80210M060300700	3	6	8	0.813 / 20.7	1.053 / 26.8	1.145 / 29.1	729 / 1085	75	629 / 285	20.6 / 524
80210M040300700	3	4	8	0.930 / 23.6	1.170 / 29.7	1.262 / 32.1	966 / 1437	95	1002 / 454	22.7 / 577
80210M030300700	3	3	6	0.988 / 25.1	1.228 / 31.2	1.320 / 33.5	1133 / 1685	115	1263 / 573	23.8 / 604
80210M020300700	3	2	6	1.055 / 26.8	1.295 / 32.9	1.387 / 35.2	1301 / 1936	130	1593 / 723	25 / 634
80210M010340700	3	1	6	1.225 / 31.1	1.465 / 37.2	1.557 / 39.6	1583 / 2356	145	2009 / 911	28 / 712
80210M1/0340700	3	1/0	6	1.311 / 33.3	1.551 / 39.4	1.659 / 42.1	1869 / 2781	170	2534 / 1150	29.9 / 758
80210M2/0340700	3	2/0	6	1.403 / 35.7	1.643 / 41.7	1.751 / 44.5	2187 / 3255	195	3194 / 1449	31.5 / 801
80210M3/0340700	3	3/0	4	1.513 / 38.4	1.753 / 44.5	1.861 / 47.3	2602 / 3873	225	4007 / 1818	33.5 / 851
80210M4/0340700	3	4/0	4	1.633 / 41.5	1.938 / 49.2	2.046 / 52.0	3214 / 4783	260	5078 / 2304	36.8 / 936
80210M250360700	3	250	4	1.835 / 46.6	2.140 / 54.4	2.248 / 57.1	3790 / 5639	290	6000 / 2722	40.5 / 1028
80210M300360700	3	300	4	1.949 / 49.5	2.254 / 57.3	2.362 / 60.0	4344 / 6464	320	7200 / 3266	42.5 / 1080
80210M350360700	3	350	3	2.057 / 52.2	2.362 / 60.0	2.494 / 63.3	4985 / 7419	350	8400 / 3810	44.9 / 1140
80210M500360700	3	500	3	2.332 / 59.2	2.637 / 67.0	2.769 / 70.3	6606 / 9830	430	12000 / 5443	49.8 / 1266
80210M750360700	3	750	2	2.717 / 69.0	3.022 / 76.8	3.154 / 80.1	9297 / 13835	535	18000 / 8165	56.8 / 1442
80210MA00360700	3	1000	1	3.097 / 78.7	3.402 / 86.4	3.548 / 90.1	11767 / 17511	615	24000 / 10886	42.6 / 1081

*Ampacity value based on Canadian Electrical Code, Version 2018, Table-2.

CSA TECK90 Armoured Power, Multi-Conductor, 1000 V

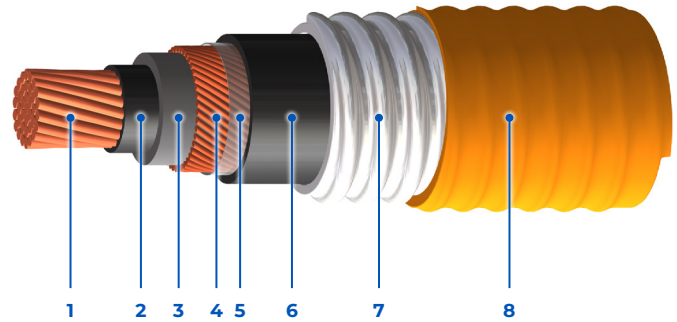
PART NUMBER	NUMBER OF CONDUCTORS	CONDUCTOR SIZE <i>(AWG/ kcmil)</i>	GROUND WIRE SIZE <i>(AWG/ kcmil)</i>	OD OVER INNER JACKET <i>(in/mm)</i>	NORMAL DIAMETERS		CABLE WEIGHT <i>(lbs/1000ft) (kg/km)</i>	AMPACITY <i>(30°C ambient)</i>	MAX PULLING TENSION (PULLING EYE) <i>(lb/kg)</i>	MIN BEND RADIUS (PULL) <i>(in/mm)</i>
					OVER ARMOUR <i>(in/mm)</i>	OVERALL CABLE <i>(in/mm)</i>				
80210M080400700	4	8	10	0.719 / 18.3	0.959 / 24.4	1.051 / 26.7	577 / 858	55	529 / 240	18.9 / 480
80210M060400700	4	6	8	0.929 / 23.6	1.169 / 29.7	1.261 / 32.0	907 / 1350	75	839 / 380	22.7 / 576
80210M040400700	4	4	8	1.045 / 26.6	1.286 / 32.7	1.378 / 35.0	1167 / 1736	76	1336 / 606	24.8 / 630
80210M030400700	4	3	6	1.112 / 28.3	1.352 / 34.4	1.444 / 36.7	1380 / 2054	115	1684 / 764	26 / 660
80210M020400700	4	2	6	1.189 / 30.2	1.429 / 36.3	1.521 / 38.6	1600 / 2381	130	2124 / 964	27.4 / 696
80210M010440700	4	1	6	1.351 / 34.3	1.591 / 40.4	1.699 / 43.2	1982 / 2949	145	2678 / 1215	30.6 / 777
80210M1/0440700	4	1/0	6	1.448 / 36.8	1.688 / 42.9	1.796 / 45.6	2330 / 3467	170	3379 / 1533	32.3 / 821
80210M2/0440700	4	2/0	6	1.551 / 39.4	1.856 / 47.2	1.964 / 49.9	2832 / 4215	195	4259 / 1932	35.4 / 898
80210M3/0440700	4	3/0	4	1.674 / 42.5	1.979 / 50.3	2.087 / 53.0	3407 / 5070	225	5343 / 2423	37.6 / 954
80210M4/0440700	4	4/0	4	1.869 / 47.5	2.174 / 55.2	2.282 / 58.0	4186 / 6229	260	6771 / 3071	41.1 / 1043
80210M250460700	4	250	4	2.028 / 51.5	2.333 / 59.3	2.465 / 62.6	4839 / 7201	290	8000 / 3629	44.4 / 1127
80210M300460700	4	300	4	2.156 / 54.8	2.461 / 62.5	2.593 / 65.9	5566 / 8283	320	9600 / 4355	46.7 / 1185
80210M350460700	4	350	3	2.276 / 57.8	2.581 / 65.6	2.713 / 68.9	6334 / 9426	350	11200 / 5080	48.8 / 1241
80210M500460700	4	500	3	2.585 / 65.7	2.890 / 73.4	3.022 / 76.8	8471 / 12606	430	16000 / 7258	54.4 / 1382
80210M750460700	4	750	2	3.076 / 78.1	3.381 / 85.9	3.527 / 89.6	11874 / 17671	535	24000 / 10886	63.5 / 1613

*Ampacity value based on Canadian Electrical Code, Version 2018, Table-2.

CSA TECK90 Armoured Power, Single-Conductor, 5000 V, Unshielded

Unshielded armoured power cable is used to supply power for lighting, drives, motors and pumps. Interlocked armour replaces the use of conduit for mechanical protection. Cable can be directly buried, installed in raceways, including cable tray in wet or dry environments. Cable is suitable for use in outdoor exposed applications and is rated for damp or dry locations in -40°C (-40°F) environments.

Standards:



- | | |
|---|--|
| 1 – Strand Bare (ASTM B8) Annealed Copper Conductor | 6 – FR LAG PVC Inner Protective Jacket |
| 2 – Semicon Conductor Shield | 7 – Aluminum Interlocked Armour (AIA) |
| 3 – XLPE (RW90 Rated) Insulated Conductor | 8 – FR LAG PVC Outer Protective Jacket |
| 4 – Serve/Wound Grounds | |
| 5 – Polyester Separator Tape | |

Product Construction

90 MIL Insulation Grounding/Bonding Conductor:

- Concentric serving of solid bare copper wires applied over the insulation

Insulation:

- XLPE (RW90 rated) rated: 90°C wet/105°C dry

Armour:

- Aluminum Interlocked Armour (AIA) (standard)

Jacket:

- FR LAG PVC (AG14 rated) inner black jacket rated: 90°C to -40°C
- FR LAG PVC (AG14 rated) outer orange jacket rated: 90°C to -40°C

Available in:

- Ribbed inner-jacketed core for vertical/mineshaft applications
- Custom colour coding
- Custom insulation/jacket colours
- Aluminum conductors

Certification/Compliances

- CSA C22.2 NO. 131, Teck 90 Cables (Teck 90)
- CSA C22.2 NO. 174, Cables & Cable Glands for use in Hazardous Locations
- CSA C22.2 NO. 38, Thermoset Insulated Wires & Cables (XLPE)
- CSA FT4, UL 1685 FT4, Vertical Tray Flame Test rated
- IEEE 383 & 1202 (70,000 BTU/hr), Vertical Flame

Test rated

- ICEA T-30-520 (70,000 BTU/hr), Vertical Flame Test rated
- XLPE (RW90 rated), 90°C wet/dry
- UV sunlight resistant "SUN RES" (all colours)
- Direct burial rated
- 40°C cold bend/impact rated
- HL rated for use in hazardous locations:
 - Class I Zone 1 (Div 1)
 - Class I Zone 2 (Div 2)
 - Class II Zone 20, 21 (Div 1)
 - Class II Zone 22 (Div 2)

Colour Coding

- Black conductor (standard)

5000 V

Voltage

CSA Type TECK 90

Power

CSA TECK90 Armoured Power, Single-Conductor, 5000 V, Unshielded

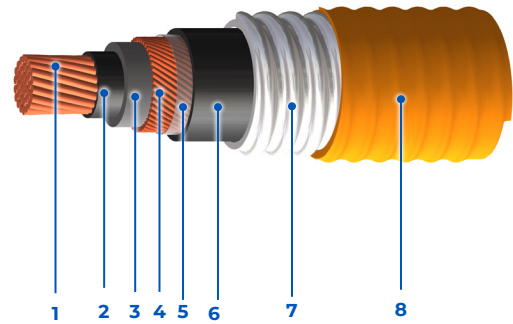
PART NUMBER	NUMBER OF CONDUCTORS	CONDUCTOR SIZE <i>(AWG/kcmil)</i>	GROUND WIRE SIZE (UNINSULATED) <i>(AWG/kcmil)</i>	NORMAL DIAMETERS			CABLE WEIGHT <i>(lbs/1000ft) (kg/km)</i>	AMPACITY <i>(30°C ambient)</i>	MAX PULLING TENSION (PULLING EYE) <i>(lb/kg)</i>	MIN BEND RADIUS (PULL) <i>(in/mm)</i>
				INSULATED WIRE <i>(in/mm)</i>	OVER ARMOUR <i>(in/mm)</i>	OVERALL CABLE <i>(in/mm)</i>				
85210M060105700	1	6	8	0.392 / 10.0	0.784 / 19.9	0.876 / 22.3	385 / 572	105	210 / 95	15.8/401
85210M040105700	1	4	6	0.439 / 11.2	0.883 / 22.4	0.975 / 24.8	521 / 775	140	334 / 151	17.6/446
85210M030105700	1	3	6	0.466 / 11.8	0.910 / 23.1	1.002 / 25.5	569 / 846	165	421 / 191	18/458
85210M020105700	1	2	6	0.497 / 12.6	0.941 / 23.9	1.033 / 26.2	627 / 934	190	531 / 241	18.6/472
85210M010145700	1	1	4	0.536 / 13.6	0.986 / 25.0	1.078 / 27.4	802 / 1194	220	670 / 304	19.4/493
85210M1/0145700	1	1/0	4	0.576 / 14.6	1.046 / 26.6	1.138 / 28.9	896 / 1334	260	845 / 383	20.5/520
85210M2/0145700	1	2/0	4	0.619 / 15.7	1.089 / 27.7	1.181 / 30.0	1006 / 1497	300	1065 / 483	21.3/540
85210M3/0145700	1	3/0	4	0.670 / 17.0	1.140 / 29.0	1.232 / 31.3	1171 / 1742	350	1336 / 606	22.2/563
85210M4/0145700	1	4/0	4	0.726 / 18.4	1.226 / 31.1	1.318 / 33.5	1375 / 2046	405	1693 / 768	23.7/603
85210M250165700	1	250	4	0.782 / 19.9	1.282 / 32.6	1.374 / 34.9	1562 / 2324	455	2000 / 907	24.7/628
85210M300165700	1	300	4	0.835 / 21.2	1.335 / 33.9	1.427 / 36.3	1747 / 2599	500	2400 / 1089	25.7/652
85210M350165700	1	350	4	0.885 / 22.5	1.385 / 35.2	1.477 / 37.5	1986 / 2955	570	2800 / 1270	26.6/675
85210M500165700	1	500	4	1.013 / 25.7	1.513 / 38.4	1.605 / 40.8	2594 / 3861	700	4000 / 1814	28.9/734
85210M750165700	1	750	4	1.200 / 30.5	1.700 / 43.2	1.808 / 45.9	3615 / 5379	885	6000 / 2722	32.5/827

*Ampacity value based on Canadian Electrical Code, Version 2018, Table-1.

CSA Teck90 Armoured Power, Single-Conductor, 5000 V Shielded

Unshielded armoured power cable is used to supply power for lighting, drives, motors and pumps. Interlocked armour replaces the use of conduit for mechanical protection. Cable can be directly buried, installed in raceways, including cable tray in wet or dry environments. Cable is suitable for use in outdoor exposed applications and is rated for damp or dry locations in -40°C (-40°F) environments.

Standards:



- | | |
|---|--|
| 1 – Strand Bare (ASTM B8) Annealed Copper Conductor | 5 – Polyester Separator Tape |
| 2 – Semicon Conductor Shield | 6 – FR LAG PVC Inner Protective Jacket |
| 3 – XLPE (RW90 Rated) Insulated Conductor | 7 – Aluminum Interlocked Armour (AIA) |
| 4 – Serve/Wound Grounds | 8 – FR LAG PVC Outer Protective Jacket |

Product Construction

90 MIL Insulation

Grounding/Bonding Conductor:

- Concentric serving of solid bare copper wires applied over the insulation

Insulation:

- XLPE (RW90 rated) rated: 90°C wet/105°C dry

Armour:

- Aluminum Interlocked Armour (AIA) (standard)

Jacket:

- FR LAG PVC (AG14 rated) inner black jacket rated: 90°C to -40°C
- FR LAG PVC (AG14 rated) outer orange jacket rated: 90°C to -40°C

Available in:

- Ribbed inner-jacketed core for vertical/mineshaft applications
- Custom colour coding
- Custom insulation/jacket colours
- Aluminum conductors

Certification/Compliances

- CSA C22.2 NO. 131, Teck 90 Cables (Teck 90)
- CSA C22.2 NO. 174, Cables & Cable Glands for use in Hazardous Locations
- CSA C22.2 NO. 38, Thermoset Insulated Wires & Cables (XLPE)
- CSA FT4, UL 1685 FT4, Vertical Tray Flame Test rated
- IEEE 383 & 1202 (70,000 BTU/hr), Vertical Flame Test rated
- ICEA T-30-520 (70,000 BTU/hr), Vertical Flame Test rated
- XLPE (RW90 rated), 90°C wet/dry
- UV sunlight resistant "SUN RES" (all colours)
- Direct burial rated
- 40°C cold bend/impact rated
- HL rated for use in hazardous locations:
 - Class I Zone 1 (Div 1)
 - Class I Zone 2 (Div 2)
 - Class II Zone 20, 21 (Div 1)
 - Class II Zone 22 (Div 2)

5000 V

Voltage

CSA Type TECK 90

Power

Colour Coding

- Black conductor (standard)

CSA Teck90 Armoured Power, Single-Conductor, 5000 V Shielded

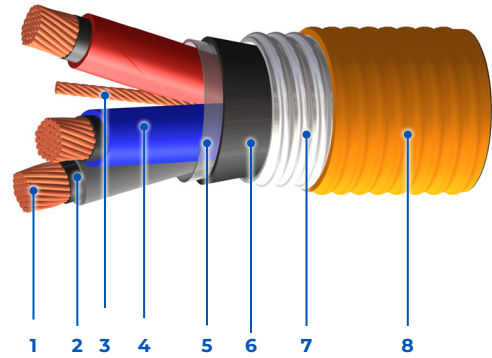
PART NUMBER	NUMBER OF CONDUCTORS	CONDUCTOR SIZE	GROUND WIRE SIZE (UNINSULATED)	NORMAL DIAMETERS			CABLE WEIGHT	AMPACITY	MAX. PULLING TENSION (PULLING EYE)	MIN. BEND RADIUS (PULL)
				INSULATED WIRE	OVER ARMOUR	OVERALL CABLE				
		AWG/kcmil	AWG/kcmil	in/mm	in/mm	in/mm	lbs/1000ft kg/km	30°C ambient	lb/kg	in/mm
85210M060105700	1	6	8	0.392 / 10.0	0.784 / 19.9	0.876 / 22.3	385 / 572	105	210 / 95	15.8/401
85210M040105700	1	4	6	0.439 / 11.2	0.883 / 22.4	0.975 / 24.8	521 / 775	140	334 / 151	17.6/446
85210M030105700	1	3	6	0.466 / 11.8	0.910 / 23.1	1.002 / 25.5	569 / 846	165	421 / 191	18/458
85210M020105700	1	2	6	0.497 / 12.6	0.941 / 23.9	1.033 / 26.2	627 / 934	190	531 / 241	18.6/472
85210M010145700	1	1	4	0.536 / 13.6	0.986 / 25.0	1.078 / 27.4	802 / 1194	220	670 / 304	19.4/493
85210M1/0145700	1	1/0	4	0.576 / 14.6	1.046 / 26.6	1.138 / 28.9	896 / 1334	260	845 / 383	20.5/520
85210M2/0145700	1	2/0	4	0.619 / 15.7	1.089 / 27.7	1.181 / 30.0	1006 / 1497	300	1065 / 483	21.3/540
85210M3/0145700	1	3/0	4	0.670 / 17.0	1.140 / 29.0	1.232 / 31.3	1171 / 1742	350	1336 / 606	22.2/563
85210M4/0145700	1	4/0	4	0.726 / 18.4	1.226 / 31.1	1.318 / 33.5	1375 / 2046	405	1693 / 768	23.7/603
85210M250165700	1	250	4	0.782 / 19.9	1.282 / 32.6	1.374 / 34.9	1562 / 2324	455	2000 / 907	24.7/628
85210M300165700	1	300	4	0.835 / 21.2	1.335 / 33.9	1.427 / 36.3	1747 / 2599	500	2400 / 1089	25.7/652
85210M350165700	1	350	4	0.885 / 22.5	1.385 / 35.2	1.477 / 37.5	1986 / 2955	570	2800 / 1270	26.6/675
85210M500165700	1	500	4	1.013 / 25.7	1.513 / 38.4	1.605 / 40.8	2594 / 3861	700	4000 / 1814	28.9/734
85210M750165700	1	750	4	1.200 / 30.5	1.700 / 43.2	1.808 / 45.9	3615 / 5379	885	6000 / 2722	32.5/827

*Ampacity value based on Canadian Electrical Code, Version 2018, Table-1.

CSA TECK90 Armoured Power, Multi-Conductor, 5000 V, Unshielded

Unshielded armoured power cable is used to supply power for lighting, drives, motors and pumps. Interlocked armour replaces the use of conduit for mechanical protection. Cable can be directly buried, installed in raceways, including cable tray in wet or dry environments. Cable is suitable for use in outdoor exposed applications and is rated for damp or dry locations in -40°C (-40°F) environments.

Standards:



- | | |
|--|--|
| 1 – Strand Bare (ASTM B8) Annealed Copper Conductors | 5 – Polyester Separator Tape |
| 2 – Semicon Conductor Shield | 6 – FR LAG PVC Inner Protective Jacket |
| 3 – Grounding/Bonding Conductor | 7 – Aluminum Interlocked Armour (AIA) |
| 4 – XLPE (RW90 Rated) Insulated Conductors | 8 – FR LAG PVC Outer Protective Jacket |

Product Construction

90 MIL Insulation

Insulation:

- XLPE (RW90 rated) rated: 90°C wet/dry

Armour:

- Aluminum Interlocked Armour (AIA) (standard)
- Steel Interlocked Armour (SIA) (optional)

Jacket:

- FR LAG PVC (AG14 rated) inner black jacket rated: 90°C to -40°C
- FR LAG PVC (AG14 rated) outer orange jacket rated: 90°C to -40°C

Available in:

- Variable Frequency Drive (VFD)
- Ribbed inner-jacketed core for vertical/mineshaft applications
- Custom colour coding
- Custom insulation/jacket colours
- Aluminum conductors

Certification/Compliances

- CSA C22.2 NO. 131, Teck 90 Cables (Teck 90)
- CSA C22.2 NO. 174, Cables & Cable Glands for use in Hazardous Locations
- CSA C22.2 NO. 38, Thermoset Insulated Wires & Cables (XLPE)
- CSA FT4, UL 1685 FT4, Vertical Tray Flame Test rated
- IEEE 383 & 1202 (70,000 BTU/hr), Vertical Flame Test rated
- ICEA T-30-520 (70,000 BTU/hr), Vertical Flame Test rated
- XLPE (RW90 rated), 90°C wet/dry
- UV sunlight resistant "SUN RES" (all colours)
- Direct burial rated
- -40°C cold bend/impact rated
- HL rated for use in hazardous locations:
 - Class I Zone 1 (Div 1)
 - Class I Zone 2 (Div 2)
 - Class II Zone 20, 21 (Div 1)
 - Class II Zone 22 (Div 2)

5000 V

Voltage

CSA Type TECK 90

Power

Colour Coding

- 2C – Black & white
- 3C – Black, red & blue
- 4C – Black, red, blue & white
- 5C to 50C – Black # coded

CSA TECK90 Armoured Power, Multi-Conductor, 5000 V, Unshielded

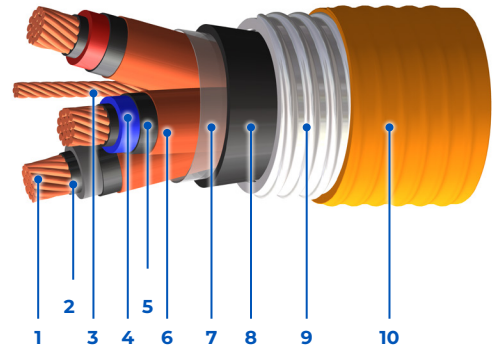
PART NUMBER	NUMBER OF CONDUCTORS	CONDUCTOR SIZE	GROUND WIRE SIZE (UNINSULATED)	NORMAL DIAMETERS			CABLE WEIGHT	AMPACITY	MAX. PULLING TENSION (PULLING EYE)	MIN. BEND RADIUS (PULL)
				INSULATED WIRE	OVER ARMOUR	OVERALL CABLE				
		AWG/kcmil	AWG/kcmil	in/mm	in/mm	in/mm	lbs/1000ft kg/km	30°C ambient	lb/kg	in/mm
85210M060305700	3	6	8	0.392 / 10.0	1.294 / 32.9	1.386 / 35.2	933 / 1388	75	629 / 285	24.9 / 634
85210M040305700	3	4	8	0.439 / 11.2	1.364 / 34.6	1.456 / 37.0	1138 / 1693	95	1002 / 454	26.2 / 666
85210M030305700	3	3	6	0.466 / 11.8	1.422 / 36.1	1.514 / 38.5	1313 / 1954	115	1263 / 573	27.3 / 692
85210M020305700	3	2	6	0.497 / 12.6	1.489 / 37.8	1.581 / 40.2	1491 / 2219	130	1593 / 723	28.5 / 723
85210M010345700	3	1	6	0.536 / 13.6	1.572 / 39.9	1.680 / 42.7	1731 / 2577	145	2009 / 911	30.2 / 768
85210M1/0345700	3	1/0	6	0.576 / 14.6	1.658 / 42.1	1.766 / 44.9	2003 / 2981	170	2534 / 1150	31.8 / 808
85210M2/0345700	3	2/0	6	0.619 / 15.7	1.751 / 44.5	1.859 / 47.2	2333 / 3472	195	3194 / 1449	33.5 / 850
85210M3/0345700	3	3/0	4	0.670 / 17.0	1.926 / 48.9	2.033 / 51.7	2882 / 4289	225	4007 / 1818	36.6 / 930
85210M4/0345700	3	4/0	4	0.726 / 18.4	2.106 / 53.5	2.214 / 56.2	3514 / 5229	260	5078 / 2304	39.9 / 1012
85210M250365700	3	250	4	0.782 / 19.9	2.226 / 56.6	2.334 / 59.3	3918 / 5830	290	6000 / 2722	42 / 1067
85210M300365700	3	300	4	0.835 / 21.2	2.340 / 59.4	2.472 / 62.8	4534 / 6747	320	7200 / 3266	44.5 / 1130
85210M350365700	3	350	3	0.885 / 22.5	2.448 / 62.2	2.580 / 65.5	5127 / 7630	350	8400 / 3810	46.4 / 1179
85210M500365700	3	500	3	1.013 / 25.7	2.723 / 69.2	2.855 / 72.5	6762 / 10064	430	12000 / 5443	51.4 / 1305
85210M750365700	3	750	2	1.200 / 30.5	3.185 / 80.9	3.331 / 84.6	9737 / 14490	535	18000 / 8165	60 / 1523

*Ampacity value based on Canadian Electrical Code, Version 2018, Table-2.

CSA TECK90 Armoured Power, Multi-Conductor, 5000 V, Shielded

Shielded armoured power cable is used to supply power for lighting, drives, motors and pumps. Interlocked armour replaces the use of conduit for mechanical protection. Cable can be directly buried, installed in raceways, including cable tray in wet or dry environments. Cable is suitable for use in outdoor exposed applications and is rated for damp or dry locations in -40°C (-40°F) environments.

Standards:



- | | |
|--|---|
| 1 – Strand Bare (ASTM B8) Annealed Copper Conductors | 6 – Copper Tape Shield |
| 2 – Semicon Conductor Shield | 7 – Polyester Separator Tape |
| 3 – Grounding/Bonding Conductor | 8 – FR LAG PVC Inner Protective Jacket |
| 4 – XLPE (RW90 Rated) Insulated Conductors | 9 – Aluminum Interlocked Armour (AIA) |
| 5 – Semicon Insulation Shield | 10 – FR LAG PVC Outer Protective Jacket |

Product Construction

90 MIL Insulation

Insulation:

- XLPE (RW90 rated) rated: 90°C wet/dry

Armour:

- Aluminum Interlocked Armour (AIA) (standard)
- Steel Interlocked Armour (SIA) (optional)

Jacket:

- FR LAG PVC (AG14 rated) inner black jacket rated: 90°C to -40°C
- FR LAG PVC (AG14 rated) outer orange jacket rated: 90°C to -40°C

Available in:

- Variable Frequency Drive (VFD)
- Ribbed inner-jacketed core for vertical/mineshaft applications
- Custom colour coding
- Custom insulation/jacket colours
- Aluminum conductors

Certification/Compliances

- CSA C22.2 NO. 131, Teck 90 Cables (Teck 90)
- CSA C22.2 NO. 174, Cables & Cable Glands for use in Hazardous Locations
- CSA C22.2 NO. 38, Thermoset Insulated Wires & Cables (XLPE)
- CSA FT4, UL 1685 FT4, Vertical Tray Flame Test rated
- IEEE 383 & 1202 (70,000 BTU/hr), Vertical Flame Test rated
- ICEA T-30-520 (70,000 BTU/hr), Vertical Flame Test rated
- XLPE (RW90 rated), 90°C wet/dry
- UV sunlight resistant "SUN RES" (all colours)
- Direct burial rated
- -40°C cold bend/impact rated
- HL rated for use in hazardous locations:-
 - Class I Zone 1 (Div 1)
 - Class I Zone 2 (Div 2)
 - Class II Zone 20, 21 (Div 1)
 - Class II Zone 22 (Div 2)

5000 V

Voltage

CSA Type TECK 90

Power

Colour Coding

- 2C – Black & white
- 3C – Black, red & blue
- 4C – Black, red, blue & white
- 5C to 50C– Black # coded

CSA TECK90 Armoured Power, Multi-Conductor, 5000 V, Shielded

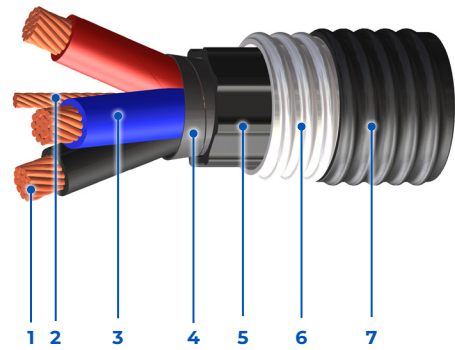
PART NUMBER	NUMBER OF CONDUCTORS	CONDUCTOR SIZE	GROUND WIRE SIZE (UNINSULATED)	NORMAL DIAMETERS				CABLE WEIGHT	AMPACITY	MAX. PULLING TENSION (PULLING EYE)	MIN. BEND RADIUS (PULL)
				INSULATED WIRE	OVER INSULATED SHIELD	OVER ARMOUR	OVERALL CABLE				
		AWG/ kcmil	AWG/kcmil	in/mm	in/mm	in/mm		lbs/1000ft kg/km	30°C ambient	lb/kg	in/mm
8S210M060305700	3	6	8	0.392 / 10.0	0.444 / 11.3	1.437 / 36.5	1.517 / 38.5	1130 / 1682	75	629 / 285	27.3 / 694
8S210M040305700	3	4	8	0.439 / 11.2	0.491 / 12.5	1.501 / 38.1	1.581 / 40.2	1353 / 2013	95	1002 / 454	28.5 / 723
8S210M040305700	3	4	8	0.439 / 11.2	0.491 / 12.5	1.501 / 38.1	1.581 / 40.2	1353 / 2013	95	1002 / 454	28.5 / 723
8S210M040305700	3	4	8	0.439 / 11.2	0.491 / 12.5	1.501 / 38.1	1.581 / 40.2	1353 / 2013	95	1002 / 454	28.5 / 723
8S210M010345700	3	1	6	0.536 / 13.6	0.588 / 14.9	1.710 / 43.4	1.806 / 45.9	1990 / 2962	145	2009 / 911	32.5 / 826
8S210M1/0345700	3	1/0	6	0.576 / 14.6	0.628 / 16.0	1.861 / 47.3	1.957 / 49.7	2365 / 3520	170	2534 / 1150	35.2 / 895
8S210M2/0345700	3	2/0	6	0.619 / 15.7	0.671 / 17.0	1.954 / 49.6	2.049 / 52.1	2720 / 4047	195	3194 / 1449	36.9 / 937
8S210M3/0345700	3	3/0	4	0.670 / 17.0	0.722 / 18.3	2.123 / 53.9	2.219 / 56.4	3331 / 4957	225	4007 / 1818	39.9 / 1015
8S210M4/0345700	3	4/0	4	0.726 / 18.4	0.778 / 19.8	2.244 / 57.0	2.340 / 59.4	3882 / 5777	260	5078 / 2304	42.1 / 1070
8S210M250365700	3	250	4	0.782 / 19.9	0.834 / 21.2	2.364 / 60.1	2.484 / 63.1	4357 / 6483	290	6000 / 2722	44.7 / 1136
8S210M300365700	3	300	4	0.835 / 21.2	0.887 / 22.5	2.478 / 62.9	2.598 / 66.0	4947 / 7362	320	7200 / 3266	46.8 / 1188
8S210M350365700	3	350	3	0.885 / 22.5	0.937 / 23.8	2.585 / 65.7	2.705 / 68.7	5567 / 8284	350	8400 / 3810	48.7 / 1237
8S210M500365700	3	500	3	1.013 / 25.7	1.065 / 27.1	2.861 / 72.7	2.981 / 75.7	7274 / 10825	430	12000 / 5443	53.7 / 1363
8S210M750365700	3	750	2	1.200 / 30.5	1.252 / 31.8	3.323 / 84.4	3.457 / 87.8	9990 / 14867	535	18000 / 8165	62.2 / 1580

*Ampacity value based on Canadian Electrical Code, Version 2018, Table-2.

CSA Riser TECK 90 Armoured Mineshaft Cables, 1000 V

Riser TECK 90 cables are designed for vertical applications to prevent cable core slippage and are suitable for use in mineshaft and for environments that require self-supporting lengths. Typically used in Mining, Utilities, Industrial and Commercial applications.

Standards:



- 1 – Strand Bare (ASTM B8) Annealed Copper Conductors
- 2 – Grounding/Bonding Conductor
- 3 – XLPE (RW90 Rated) Insulated Conductors
- 4 – Cloth Backed Rubberized Separator Tape
- 5 – Inner Ribbed Jacket
- 6 – Steel Interlocked Armour (SIA)
- 7 – FR LAG PVC Outer Protective Jacket

Product Construction

Insulation:

- XLPE (RW90 rated) rated: 90°C wet/dry

Armour:

- Steel Interlocked Armour (SIA) (standard)
- Aluminum Interlocked Armour (AIA) (optional)
- Served Wire Armour (SWA) (optional)

Jacket:

- FR LAG PVC (AGI4 rated) outer black jacket rated: 90°C to -40°C

Available in:

- Variable Frequency Drive (VFD)
- Custom colour coding
- Custom insulation/jacket colours
- Composite constructions
- Aluminum conductors
- Single conductor

Certification/Compliances

- CSA C22.2 NO. 131, Teck 90 Cables (Teck 90)
- CSA C22.2 NO. 174, Cables & Cable Glands for use in Hazardous Locations
- CSA C22.2 NO. 38, Thermoset Insulated Wires & Cables (XLPE)
- CSA FT4, UL 1685 FT4, Vertical Tray Flame Test rated
- IEEE 383 & 1202 (70,000 BTU/hr), Vertical Flame Test rated
- ICEA T-30-520 (70,000 BTU/hr), Vertical Flame Test rated
- XLPE (RW90 rated), 90°C wet/dry
- UV sunlight resistant "SUN RES" (all colours)
- Direct burial rated
- -40°C cold bend/impact rated
- HL rated for use in hazardous locations:
 - Class I Zone 1 (Div 1)
 - Class I Zone 2 (Div 2)
 - Class II Zone 20, 21 (Div 1)
 - Class II Zone 22 (Div 2)

1000 V

Voltage

Optional:
300/600/5000 V

Colour Coding

- 2C – Black & white
- 3C – Black, red & blue
- 4C – Black, red, blue & white
- 5C to 50C – Black # coded

CSA Type Teck 90

Mineshaft/Riser

CSA Riser TECK 90 Armoured Mineshaft Cables, 1000 V

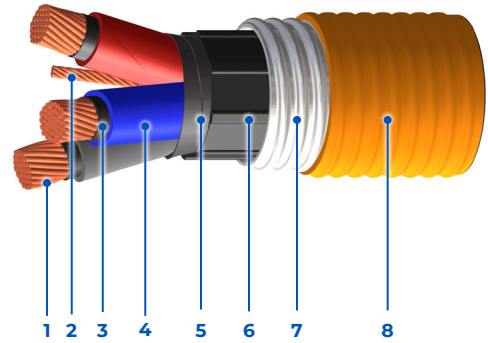
PART NUMBER	NUMBER OF CONDUCTORS	CONDUCTOR SIZE	GROUND WIRE SIZE	OD OVER INNER JACKET	NORMAL DIAMETERS		CABLE WEIGHT	AMPACITY	MAX. PULLING TENSION (PULLING EYE)	MIN. BEND RADIUS (PULL)	SELF SUPPORT LENGTH
					OVER ARMOUR	OVERALL CABLE					
		AWG/ kcmil	AWG/ kcmil	in/mm	in/mm	in/mm	lbs/1000ft kg/km	30°C ambient	lb/kg	in/mm	ft/m
80110M1/034070V	3	1/0	6	1.328 / 33.7	1.673 / 42.5	1.781 / 45.2	3196 / 4755	170	2534 / 1150	32/814	715 / 218
80110M2/034070V	3	2/0	6	1.420 / 36.1	1.830 / 46.5	1.938 / 49.2	3630 / 5402	195	3194 / 1449	35/886	787.9 / 240
80110M3/034070V	3	3/0	4	1.530 / 38.9	1.940 / 49.3	2.048 / 52.0	4226 / 6289	225	4007 / 1818	37/936	857.9 / 261
80110M4/034070V	3	4/0	4	1.650 / 41.9	2.060 / 52.3	2.168 / 55.1	4705 / 7001	260	5078 / 2304	39/991	971.5 / 296
80110M25036070V	3	250	4	1.852 / 47.1	2.262 / 57.5	2.394 / 60.8	5499 / 8183	290	6000 / 2722	43/1095	987.3 / 301
80110M35036070V	3	350	3	2.074 / 52.7	2.484 / 63.1	2.616 / 66.4	6876 / 10232	350	8400 / 3810	47/1196	1108 / 338
80110M50036070V	3	500	3	2.349 / 59.7	2.759 / 70.1	2.891 / 73.4	8807 / 13107	430	12000 / 5443	52/1322	1232.4 / 376
80110M75036070V	3	750	2	2.734 / 69.4	3.206 / 81.4	3.352 / 85.2	11074 / 16480	535	18000 / 8165	60/1533	1475.3 / 450

*Ampacity value based on Canadian Electrical Code, Version 2018, Table-2. Values are corrected according to Table-5C for number of Conductors.

CSA Riser TECK 90 Armoured Mineshaft Cables, 5000 V, Unshielded

Riser TECK 90 cables are designed for vertical applications to prevent cable core slippage and are suitable for use in mineshaft and for environments that require self-supporting lengths. Typically used in Mining, Utilities, Industrial and Commercial applications.

Standards:



- | | |
|--|--|
| 1 – Strand Bare (ASTM B8) Annealed Copper Conductors | 5 – Cloth Backed Rubberized Separator Tape |
| 2 – Grounding/Bonding Conductor | 6 – Inner Ribbed Jacket |
| 3 – Semicon Conductor Shield | 7 – Steel Interlocked Armour (SIA) |
| 4 – XLPE (RW90 Rated) Insulated Conductors | 8 – FR LAG PVC Outer Protective Jacket |

Product Construction

Insulation:

- XLPE (RW90 rated) rated: 90°C wet/dry

Armour:

- Steel Interlocked Armour (SIA) (standard)
- Aluminum Interlocked Armour (AIA) (optional)
- Served Wire Armour (SWA) (optional)

Jacket:

- FR LAG PVC (AG14 rated) outer black jacket rated: 90°C to -40°C

Available in:

- Variable Frequency Drive (VFD)
- Custom colour coding
- Custom insulation/jacket colours
- Composite constructions
- Aluminum conductors
- Single conductor

Certification/Compliances

- CSA C22.2 NO. 131, Teck 90 Cables (Teck 90)
- CSA C22.2 NO. 174, Cables & Cable Glands for use in Hazardous Locations
- CSA C22.2 NO. 38, Thermoset Insulated Wires & Cables (XLPE)
- CSA FT4, UL 1685 FT4, Vertical Tray Flame Test rated
- IEEE 383 & 1202 (70,000 BTU/hr), Vertical Flame Test rated
- ICEA T-30-520 (70,000 BTU/hr), Vertical Flame Test rated
- XLPE (RW90 rated), 90°C wet/dry
- UV sunlight resistant "SUN RES" (all colours)
- Direct burial rated
- -40°C cold bend/impact rated
- HL rated for use in hazardous locations:
 - Class I Zone 1 (Div 1)
 - Class I Zone 2 (Div 2)
 - Class II Zone 20, 21 (Div 1)
 - Class II Zone 22 (Div 2)

5000 V

Voltage

Optional:
300/600/1000 V

Colour Coding

- 2C – Black & white
- 3C – Black, red & blue
- 4C – Black, red, blue & white
- 5C to 50C – Black # coded

CSA Type Teck 90

Mineshaft/Riser

CSA Riser TECK 90 Armoured Mineshaft Cables, 5000 V, Unshielded

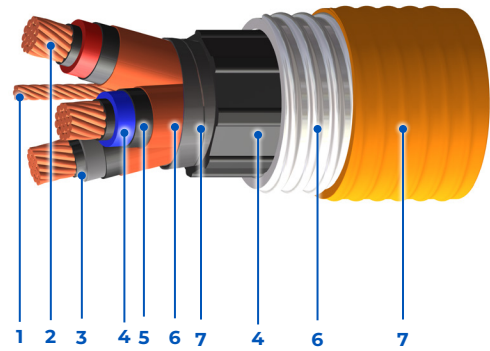
PART NUMBER	NUMBER OF CONDUCTORS	CONDUCTOR SIZE	GROUND WIRE SIZE	OD OVER INNER JACKET	NORMAL DIAMETERS		CABLE WEIGHT	AMPACITY	MAX. PULLING TENSION (PULLING EYE)	MIN. BEND RADIUS (PULL)	SELF SUPPORT LENGTH
					OVER ARMOUR	OVERALL CABLE					
		AWG/ kcmil	AWG/ kcmil	in/mm	in/mm	in/mm	lbs/1000ft kg/km	30°C ambient	lb/kg	in/mm	ft/m
85110M1/034570V	3	1/0	6	1.435 / 36.5	1.845 / 46.9	1.953 / 49.6	3458 / 5145	170	2534 / 1150	35 / 893	660.8 / 201
85110M2/034570V	3	2/0	6	1.528 / 38.8	1.938 / 49.2	2.046 / 52.0	3877 / 5769	195	3194 / 1449	37 / 935	737.8 / 225
85110M3/034570V	3	3/0	4	1.638 / 41.6	2.048 / 52.0	2.156 / 54.8	4494 / 6687	225	4007 / 1818	39 / 985	806.8 / 246
85110M4/034570V	3	4/0	4	1.818 / 46.2	2.228 / 56.6	2.336 / 59.3	5137 / 7645	260	5078 / 2304	42 / 1068	889.8 / 271
85110M25036570V	3	250	4	1.938 / 49.2	2.348 / 59.7	2.480 / 63.0	5716 / 8507	290	6000 / 2722	45 / 1134	949.7 / 289
85110M35036570V	3	350	3	2.160 / 54.9	2.570 / 65.3	2.702 / 68.6	7114 / 10586	350	8400 / 3810	49 / 1235	1070.9 / 326
85110M50036570V	3	500	3	2.435 / 61.9	2.845 / 72.3	2.977 / 75.6	9068 / 13495	430	12000 / 5443	54 / 1361	1196.9 / 365
85110M75036570V	3	750	2	2.897 / 73.6	3.369 / 85.6	3.515 / 89.3	11583 / 17238	535	18000 / 8165	63 / 1607	1410.5 / 430

*Ampacity value based on Canadian Electrical Code, Version 2018, Table-2. Values are corrected according to Table-5C for number of Conductors.

CSA Riser TECK 90 Armoured Mineshaft Cables, 5000 V, Shielded

Riser TECK 90 cables are designed for vertical applications to prevent cable core slippage and are suitable for use in mineshaft and for environments that require self-supporting lengths. Typically used in Mining, Utilities, Industrial and Commercial applications.

Standards:



- | | |
|--|--|
| 1 – Grounding/Bonding Conductor | 6 – Copper Tape Shield |
| 2 – Strand Bare (ASTM B8) Annealed Copper Conductors | 7 – Cloth Backed Rubberized Separator Tape |
| 3 – Semicon Conductor Shield | 8 – Inner Ribbed Jacket |
| 4 – XLPE (RW90 Rated) Insulated Conductors | 9 – Steel Interlocked Armour (SIA) |
| 5 – Semicon Insulation Shield | 10 – FR LAG PVC Outer Protective Jacket |

Product Construction

Insulation:

- XLPE (RW90 rated) rated: 90°C wet/dry

Armour:

- Steel Interlocked Armour (SIA) (standard)
- Aluminum Interlocked Armour (AIA) (optional)
- Served Wire Armour (SIA) (optional)

Jacket:

- FR LAG PVC (AG14 rated) outer black jacket rated: 90°C to -40°C

Available in:

- Variable Frequency Drive (VFD)
- Custom colour coding
- Custom insulation/jacket colours
- Composite constructions
- Aluminum conductors
- Single conductor

Certification/Compliances

- CSA C22.2 NO. 131, Teck 90 Cables (Teck 90)
- CSA C22.2 NO. 174, Cables & Cable Glands for use in Hazardous Locations
- CSA C22.2 NO. 38, Thermoset Insulated Wires & Cables (XLPE)
- CSA FT4, UL 1685 FT4, Vertical Tray Flame Test rated
- IEEE 383 & 1202 (70,000 BTU/hr), Vertical Flame Test rated
- ICEA T-30-520 (70,000 BTU/hr), Vertical Flame Test rated
- XLPE (RW90 rated), 90°C wet/dry
- UV sunlight resistant "SUN RES" (all colours)
- Direct burial rated
- -40°C cold bend/impact rated
- HL rated for use in hazardous locations:
 - Class I Zone 1 (Div 1)
 - Class I Zone 2 (Div 2)
 - Class III Zone 20, 21 (Div 1)
 - Class II Zone 22 (Div 2)

5000 V

Voltage

Optional:
300/600/1000 V

Colour Coding

- 2C – Black & white
- 3C – Black, red & blue
- 4C – Black, red, blue & white
- 5C to 50C – Black # coded

CSA Type Teck 90

Mineshaft/Riser

CSA Riser TECK 90 Armoured Mineshaft Cables, 5000 V, Shielded

PART NUMBER	NUMBER OF CONDUCTORS	CONDUCTOR SIZE	GROUND WIRE SIZE	OD OVER INNER JACKET	NORMAL DIAMETERS		CABLE WEIGHT	AMPACITY	MAX. PULLING TENSION (PULLING EYE)	MIN. BEND RADIUS (PULL)	SELF SUPPORT LENGTH
					OVER ARMOUR	OVERALL CABLE					
		AWG/ kcmil	AWG/ kcmil	in/mm	in/mm	in/mm	lbs/1000ft kg/km	30°C ambient	lb/kg	in/mm	ft/m
8S110M1/034570V	3	1/0	6	1.573 / 40.0	1.983 / 50.4	2.091 / 53.1	3786 / 5634	170	2534 / 1150	38 / 956	603.5 / 184
8S110M2/034570V	3	2/0	6	1.666 / 42.3	2.076 / 52.7	2.184 / 55.5	4230 / 6294	195	3194 / 1449	39 / 998	676.2 / 206
8S110M3/034570V	3	3/0	4	1.835 / 46.6	2.245 / 57.0	2.353 / 59.8	4976 / 7406	225	4007 / 1818	42 / 1076	728.6 / 222
8S110M4/034570V	3	4/0	4	1.956 / 49.7	2.366 / 60.1	2.498 / 63.4	5701 / 8484	260	5078 / 2304	45 / 1142	801.8 / 244
8S110M25036570V	3	250	4	2.076 / 52.7	2.486 / 63.1	2.618 / 66.5	6251 / 9302	290	6000 / 2722	47 / 1197	868.5 / 265
8S110M35036570V	3	350	3	2.297 / 58.4	2.707 / 68.8	2.839 / 72.1	7712 / 11476	350	8400 / 3810	51 / 1298	987.8 / 301
8S110M50036570V	3	500	3	2.573 / 65.3	3.045 / 77.4	3.191 / 81.1	8895 / 13237	430	12000 / 5443	57 / 1459	1220.3 / 372
8S110M75036570V	3	750	2	3.035 / 77.1	3.507 / 89.1	3.653 / 92.8	12357 / 18390	535	18000 / 8165	66 / 1670	1322.1 / 403

*Ampacity value based on Canadian Electrical Code, Version 2018, Table-2. Values are corrected according to Table-5C for number of Conductors.

THERMOCOUPLE EXTENSION CABLE

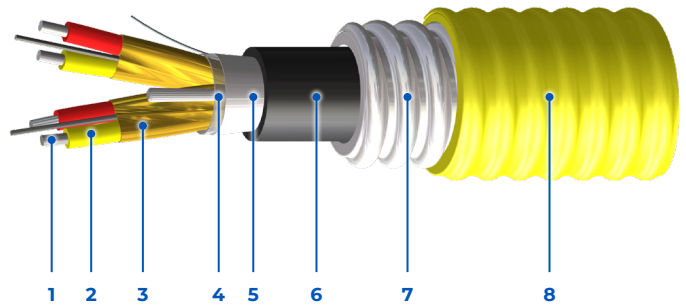
CREATING A RELIABLE CONNECTION WITH THERMOCOUPLE SENSORS

Shawflex provides various extension type cables such as type E, J, K, N, R, S and T thermocouple alloys with both armoured and unarmoured configurations.

THERMOCOUPLE	68-72
CSA ACIC Armoured Thermocouple Extension, 300V	69
CSA Tray Thermocouple Extension, 300V	71

CSA ACIC Armoured Thermocouple Extension, 300 V

Shawflex Thermocouple Extension cables offer advantages in cost and mechanical properties when used for connections between thermocouples and instruments.



- 1 – Thermocouple Alloys
- 2 – Insulated Thermocouple Alloy Wires
- 3 – Individual Aluminum/Mylar Shielded Pairs with Tin-coated Copper Drain Wire
- 4 – Polyester Separator Tape
- 5 – Overall Aluminum/Mylar Shield with Tin-coated Copper Drain Wire
- 6 – FR PVC Black Inner Protective Jacket
- 7 – Aluminum Interlocked Armour (AIA)
- 8 – FR PVC Yellow Outer Protective Jacket

Standards:



Product Construction

Insulation:

- XLPE (RW90 rated) rated: 90°C wet/105°C dry

Shielding (foil-free edge):

- ISOS (standard)
- OS (optional)

Armour:

- Aluminum Interlocked Armour (AIA) (standard)

Jacket:

- FR PVC inner black jacket (standard) rated: 90°C to -40°C
- FR PVC outer yellow jacket (standard), dependent on requested thermocouple alloy rated: 90°C to -40°C

Available in:

- Composite constructions
- Custom insulation/jacket colours
- Extension cables for type E, J, K, N, R, S and T thermocouple alloys

Certification/Compliances

- CSA C22.2 NO. 131, Teck 90 Cables (Teck 90)
- CSA C22.2 NO. 174, Cables & Cable Glands for use in Hazardous Locations
- CSA C22.2 NO. 38, Thermoset Insulated Wires & Cables (XLPE)
- CSA FT4, UL 1685 FT4, Vertical Tray Flame Test rated
- IEEE 383 & 1202 (70,000 BTU/hr), Vertical Flame Test rated
- ICEA T-30-520 (70,000 BTU/hr), Vertical Flame Test rated
- XLPE (RW90 rated), 90°C wet/dry
- UV sunlight resistant "SUN RES" (all colours)
- Direct burial rated
- -40°C cold bend/impact rated

- HL rated for use in hazardous locations:

- Class 1 Zone 0 (Intrinsically Safe cables only)
- Class 1 Zone 1 (Div 1)
- Class 1 Zone 2 (Div 2)
- HL-BCD gas groups rated

Colour Coding

- Pairs – Red, yellow – for KX type
- Pairs – Red, white – for JX type
- Pairs – Red, purple – for EX type
- Pairs – Red, black – for SX/RX type
- Pairs – Red, orange – for NX type
- Pairs – Red, blue – for NX type

300 V

Voltage
(Optional: 600 V)

CSA Type ACIC

Thermocouple
Extension

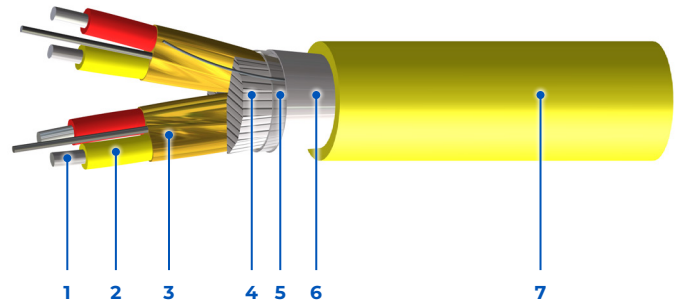
CSA ACIC Armoured Thermocouple Extension, 300 V

PART NUMBER	NUMBER OF PAIRS	CONDUCTOR SIZE <i>(AWG/ kcmil)</i>	GROUND WIRE SIZE <i>(AWG/ kcmil)</i>	OD OVER INNER JACKET <i>(in/mm)</i>	NORMAL DIAMETERS		CABLE WEIGHT <i>(lbs/1000ft) (kg/km)</i>	AMPACITY <i>(30°C ambient)</i>	MAX PULLING TENSION (PULLING EYE) <i>(lb/kg)</i>	MIN BEND RADIUS (PULL) <i>(in/mm)</i>
					OVER ARMOUR <i>(in/mm)</i>	OVERALL CABLE <i>(in/mm)</i>				
2C610U080100700	1	8	18	0.407 / 10.3	0.647 / 16.4	0.759 / 19.3	307 / 457	55	132 / 60	13.7 / 347
2C610U060100700	1	6	16	0.466 / 11.8	0.706 / 17.9	0.818 / 20.8	394 / 587	75	210 / 95	14.7 / 374
2C610U040100700	1	4	16	0.513 / 13.0	0.753 / 19.1	0.865 / 22.0	462 / 687	95	334 / 151	15.6 / 395
2C610U030100700	1	3	16	0.560 / 14.2	0.800 / 20.3	0.912 / 23.2	522 / 777	115	421 / 191	16.4 / 417
2C610U020100700	1	2	16	0.591 / 15.0	0.831 / 21.1	0.943 / 24.0	578 / 860	130	531 / 241	17 / 431
2C610U010140700	1	1	14	0.676 / 17.2	0.916 / 23.3	1.028 / 26.1	725 / 1079	145	670 / 304	18.5 / 470
2C610U1/0140700	1	1/0	14	0.716 / 18.2	0.956 / 24.3	1.068 / 27.1	811 / 1207	170	845 / 383	19.2 / 488
2C610U2/0140700	1	2/0	14	0.759 / 19.2	0.979 / 24.9	1.091 / 27.7	911 / 1356	195	1065 / 483	19.6 / 499
2C610U3/0140700	1	3/0	14	0.810 / 20.6	1.014 / 25.8	1.126 / 28.6	1066 / 1587	225	1336 / 606	20.3 / 515
2C610U4/0140700	1	4/0	14	0.866 / 22.0	1.070 / 27.2	1.182 / 30.0	1282 / 1908	260	1693 / 768	21.3 / 540
2C610U250160700	1	250	14	0.932 / 23.7	1.136 / 28.9	1.248 / 31.7	1427 / 2124	290	2000 / 907	22.5 / 571
2C610U300160700	1	300	14	0.985 / 25.0	1.189 / 30.2	1.301 / 33.1	1660 / 2471	320	2400 / 1089	23.4 / 595
2C610U350160700	1	350	14	1.035 / 26.3	1.239 / 31.5	1.351 / 34.3	1839 / 2737	350	2800 / 1270	24.3 / 618
2C610U500160700	1	500	14	1.163 / 29.5	1.367 / 34.7	1.479 / 37.6	2433 / 3620	430	4000 / 1814	26.6 / 676
2C610U750160700	1	750	14	1.372 / 34.9	1.576 / 40.0	1.708 / 43.4	3461 / 5151	535	6000 / 2722	30.7 / 781

*Ampacity value based on National Electrical Code, Version 2017, Table 3-10.15(B)(16).

CSA Unarmoured Tray Thermocouple Extension, 300 V

Shawflex Thermocouple Extension cables offer advantages in cost and mechanical properties when used for connections between thermocouples and instruments.



- 1 – Thermocouple Alloys
- 2 – Insulated Thermocouple Alloy Wires
- 3 – Individual Aluminum/Mylar Shielded Pairs with Tin-coated Copper Drain Wire
- 4 – Polypropylene Fillers
- 5 – Polyester Separator Tape
- 6 – Overall Aluminum/Mylar Shield with Tin-coated Copper Drain Wire
- 7 – FR PVC Outer Protective Jacket

Standards:



Product Construction

Insulation:

- XLPE (RW90 rated) rated: 90°C wet/105°C dry

Shielding (foil-free edge):

- ISOS (standard)
- OS (optional)

Armour:

- Aluminum Interlocked Armour (AIA) (standard)

Jacket:

- FR PVC yellow (standard) dependent on requested thermocouple alloy rated: 90°C to -40°C

Available in:

- Composite constructions
- Custom insulation/jacket colours
- Extension cables for type E, J, K, N, R, S and T thermocouple alloys

Certification/Compliances

- CSA C22.2 NO. 230, Tray Cables (TC)
- CSA C22.2 NO. 239, Control & Instrumentation Cables (Type CIC)
- CSA C22.2 NO. 38, Thermoset Insulated Wires & Cables (XLPE)
- CSA FT4, UL 1685 FT4, Vertical Tray Flame Test rated
- IEEE 383 & 1202 (70,000 BTU/hr), Vertical Flame Test rated
- ICEA T-30-520 (70,000 BTU/hr), Vertical Flame Test rated
- XLPE (RW90 rated), 90°C wet/105°C dry
- UV sunlight resistant "SUN RES" (all colours)
- Direct burial rated

- -40°C cold bend/impact rated
- Rated for use in hazardous locations:
 - Class 1 Zone 0 (Intrinsically Safe cables only)
 - Class I Zone 2 (Div 2)
 - TC-BCD gas groups rated

Colour Coding

- Pairs – Red, yellow – for KX type
- Pairs – Red, white – for JX type
- Pairs – Red, purple – for EX type
- Pairs – Red, black – for SX/RX type
- Pairs – Red, orange – for NX type
- Pairs – Red, blue – for NX type

300 V

Voltage (Optional: 600 V)

CSA Type CIC

Thermocouple Extension

CSA Unarmoured Tray Thermocouple Extension, 300 V

PART NUMBER	NUMBER OF PAIRS	CONDUCTOR SIZE	NORMAL DIAMETERS OVERALL CABLE	CABLE WEIGHT	MAX PULLING TENSION (PULLING EYE)	MIN BEND RADIUS (PULL)
		(AWG/ kcmil)	(in/mm)	(lbs/1000ft) (kg/km)	(lb/kg)	(in/mm)
7B021M1601XY0T8	1	16	0.337 / 8.56	52 / 78	41 / 19	6.1 / 154
7B022M1602XY0T8	2	16	0.498 / 12.65	117 / 174	82 / 37	9 / 228
7B022M1604XY0T8	4	16	0.612 / 15.55	183 / 273	165 / 75	11 / 280
7B022M1606XY0T8	6	16	0.731 / 18.58	262 / 390	247 / 112	13.2 / 334
7B022M1608XY0T8	8	16	0.793 / 20.15	322 / 480	330 / 150	14.3 / 363
7B022M1612XY0T8	12	16	1.007 / 25.57	493 / 733	494 / 224	18.1 / 460
7B022M1624XY0T8	24	16	1.387 / 35.23	890 / 1324	989 / 449	25 / 634
7B021M1801XY0T8	1	18	0.315 / 8	43 / 64	26 / 12	5.7 / 144
7B022M1802XY0T8	2	18	0.462 / 11.73	96 / 143	52 / 24	8.3 / 211
7B022M1804XY0T8	4	18	0.568 / 14.43	147 / 218	104 / 47	10.2 / 260
7B022M1806XY0T8	6	18	0.676 / 17.17	207 / 308	156 / 71	12.2 / 309
7B022M1808XY0T8	8	18	0.732 / 18.6	253 / 377	208 / 94	13.2 / 335
7B022M1812XY0T8	12	18	0.929 / 23.6	386 / 575	312 / 142	16.7 / 425
7B022M1824XY0T8	24	18	1.274 / 32.36	685 / 1019	624 / 283	22.9 / 583
7B021M2001XY0T8	1	20	0.299 / 7.59	38 / 56	16 / 7	5.4 / 137
7B022M2002XY0T8	2	20	0.435 / 11.06	83 / 124	32 / 15	7.8 / 199
7B022M2004XY0T8	4	20	0.506 / 12.85	112 / 167	64 / 29	9.1 / 231
7B022M2006XY0T8	6	20	0.636 / 16.15	176 / 261	96 / 44	11.4 / 291
7B022M2008XY0T8	8	20	0.688 / 17.47	212 / 316	128 / 58	12.4 / 314
7B022M2012XY0T8	12	20	0.833 / 21.16	293 / 436	192 / 87	15 / 381
7B022M2024XY0T8	24	20	1.192 / 30.28	568 / 845	384 / 174	21.5 / 545

LOW SMOKE ZERO HALOGEN (LSZH)

LOW SMOKE ZERO HALOGEN COMPOUND PROVIDES A SAFE ENVIRONMENT FOR PERSONNEL AND EQUIPMENT

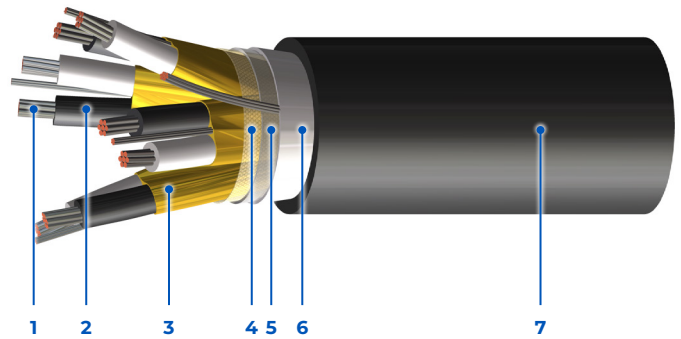
Low smoke zero halogen cable considerably reduces the amount of toxic and corrosive gas emitted during a fire. It generates less smoke from the cable and in turn provides more protection to people, and sensitive electronic equipment. LSZH cable is typically used in poorly ventilated or high populated areas such as subway stations, convention centers, theatres, subsea and offshore installations, submarines or ships. It is also used extensively in transit applications, wherever track side cables must be run into and through underground tunnel systems

LOW SMOKE ZERO HALOGEN (LSZH)	73-94
CSA LSZH Unarmoured Tray Instrumentation, 300V	74
CSA LSZH Unarmoured Tray Control, Multi-Conductor, 300V.....	77
CSA LSZH Unarmoured Tray Control, Multi-Conductor, 600V	80
CSA LSZH ACIC Armoured Control, Multi-Conductor, 600V	83
CSA LSZH ACIC Armoured Power, Multi-Conductor, 1000V	87
CSA LSZH Unarmoured Tray Power, Multi-Conductor, 1000V.....	89
CSA LSZH ACIC Armoured Control, Multi-Conductor, 1000V	92

CSA LSZH Unarmoured Tray Instrumentation, 300 V

LSZH Tray Instrumentation cables are used to convert analogue or digital signals. Used when there is a possibility for crosstalk between pairs/triads. Cable can be installed in raceways, direct burial applications and in outdoor exposed Industrial applications.

Standards:



- 1 – Stranded Bare Copper Conductors (Tin-coated Available)
- 2 – Halogen Free XLPE (RW90 Rated) Insulated Conductors
- 3 – Individual Shield & Overall Shielded Pairs/Triads with Tin-coated Copper Drain Wire
- 4 – Fiberglass Tape
- 5 – Polyester Separator Tape
- 6 – Overall Aluminum/Mylar Shield with Tin-coated Copper Drain Wire
- 7 – LSZH Outer Protective Jacket

Product Construction

Insulation:

- XLPE (RW90 rated) rated: 90°C wet/dry

Shielding (foil-free edge):

- ISOS (standard)
- OS (optional)

Jacket:

- LSZH outer black jacket rated: 90°C

Available in:

- Custom insulation/ jacket colours
- Composite constructions

Certification/Compliances

- CSA C22.2 NO. 230, Tray Cables (TC)
- CSA C22.2 NO. 239, Control & Instrumentation Cables (Type CIC)
- CSA C22.2 NO. 38, Thermoset Insulated Wires & Cables (XLPE)
- CSA FT4,- ST1 Halogen Free & UL 1685 FT4, Vertical Tray Flame Test rated
- IEEE 383 & 1202 (70,000 BTU/hr), Vertical Flame Test rated
- ICEA T-30-520 (70,000] BTU/hr), Vertical Flame Test rated
- XLPE (RW90 rated), 90°C wet/dry
- UV sunlight resistant "SUN RES" (all colours)
- Direct burial rated
- -40°C cold bend rated
- -25°C cold impact rated

- Rated for use in hazardous locations:

- Class 1 Zone 0 (Intrinsically Safe cables only)
- Class I Zone 2 (Div 2)
- TC-BCD gas groups rated

Colour Coding

- Pairs – Red, yellow – for KX type
- Pairs – Red, white – for JX type
- Pairs – Red, purple – for EX type
- Pairs – Red, black – for SX/RX type
- Pairs – Red, orange – for NX type
- Pairs – Red, blue – for NX type

300 V

Voltage (Optional: 600 V)

CSA Type CIC

Instrumentation

CSA LSZH Unarmoured Tray Instrumentation, 300 V

Pairs

PART NUMBER	NUMBER OF PAIRS	CONDUCTOR SIZE	NORMAL DIAMETERS OVERALL CABLE	CABLE WEIGHT	MAX PULLING TENSION (PULLING EYE)	MIN BEND RADIUS (PULL)
		(AWG/kcmil)	(in/mm)	(lbs/1000ft) (kg/km)	(lb/kg)	(in/mm)
42021M160110800	1	16	0.327 / 8.31	58 / 86	41 / 19	5.9 / 150
42022M160210800	2	16	0.479 / 12.16	118 / 175	82 / 37	8.6 / 219
42022M160410800	4	16	0.588 / 14.94	186 / 277	165 / 75	10.6 / 269
42022M160610800	6	16	0.7 / 17.78	261 / 388	247 / 112	12.6 / 320
42022M160810800	8	16	0.758 / 19.26	319 / 475	330 / 150	13.7 / 347
42022M161210800	12	16	0.961 / 24.42	487 / 725	494 / 224	17.3 / 440
42022M161610800	16	16	1.068 / 27.13	607 / 903	659 / 299	19.2 / 488
42022M162410800	24	16	1.319 / 33.51	866 / 1289	989 / 449	23.7 / 603
42022M163610800	36	16	1.516 / 38.52	1206 / 1795	1483 / 673	27.3 / 693
42022M180210800	2	18	0.439 / 11.16	97 / 145	52 / 24	7.9 / 201
42022M180410800	4	18	0.51 / 12.95	134 / 199	104 / 47	9.2 / 233
42022M180610800	6	18	0.64 / 16.25	207 / 308	156 / 71	11.5 / 293
42022M180810800	8	18	0.692 / 17.57	250 / 372	208 / 94	12.5 / 316
42022M181210800	12	18	0.837 / 21.26	348 / 517	312 / 142	15.1 / 383
42022M181610800	16	18	0.972 / 24.69	472 / 703	416 / 189	17.5 / 444
42022M182410800	24	18	1.196 / 30.38	670 / 998	624 / 283	21.5 / 547
42022M183610800	36	18	1.372 / 34.85	921 / 1371	936 / 425	24.7 / 627
42021M200110800	1	20	0.283 / 7.19	41 / 61	16 / 7	5.1 / 129
42022M200210800	2	20	0.406 / 10.32	81 / 121	32 / 15	7.3 / 186
42022M200410800	4	20	0.47 / 11.94	109 / 163	64 / 29	8.5 / 215
42022M200610800	6	20	0.59 / 14.98	171 / 254	96 / 44	10.6 / 270
42022M200810800	8	20	0.636 / 16.16	204 / 304	128 / 58	11.5 / 291
42022M201210800	12	20	0.767 / 19.48	281 / 418	192 / 87	13.8 / 351
42022M201610800	16	20	0.892 / 22.66	382 / 569	256 / 116	16.1 / 408
42022M202410800	24	20	1.093 / 27.77	537 / 799	384 / 174	19.7 / 500
42022M203610800	36	20	1.251 / 31.79	729 / 1084	576 / 261	22.5 / 572

CSA LSZH Unarmoured Tray Instrumentation, 300 V

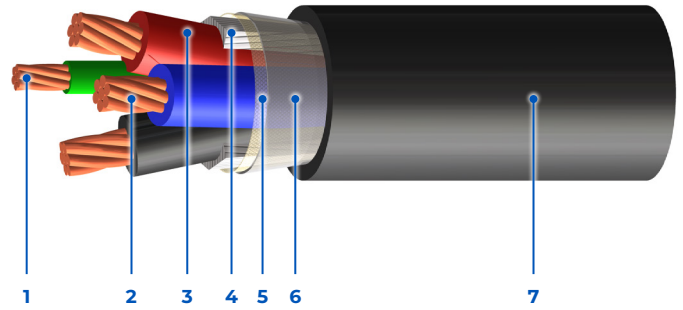
Triads

PART NUMBER	NUMBER OF PAIRS	CONDUCTOR SIZE	NORMAL DIAMETERS OVERALL CABLE	CABLE WEIGHT	MAX PULLING TENSION (PULLING EYE)	MIN BEND RADIUS (PULL)
		(AWG/kcmil)	(in/mm)	(lbs/1000ft) (kg/km)	(lb/kg)	(in/mm)
42031M160110800	1	16	0.343 / 8.72	71 / 106	62 / 28	6.2 / 157
42032M160210800	2	16	0.572 / 14.54	170 / 254	124 / 56	10.3 / 262
42032M160410800	4	16	0.665 / 16.89	244 / 364	247 / 112	12 / 304
42032M160610800	6	16	0.795 / 20.2	347 / 516	371 / 168	14.3 / 364
42032M160810800	8	16	0.903 / 22.94	469 / 697	494 / 224	16.3 / 413
42032M161210800	12	16	1.093 / 27.76	660 / 982	742 / 336	19.7 / 500
42032M161610800	16	16	1.217 / 30.91	823 / 1224	989 / 449	21.9 / 556
42032M162410800	24	16	1.509 / 38.34	1186 / 1766	1483 / 673	27.2 / 690
42031M180110800	1	18	0.317 / 8.06	57 / 85	39 / 18	5.7 / 145
42032M180210800	2	18	0.496 / 12.59	121 / 180	78 / 35	8.9 / 227
42032M180410800	4	18	0.608 / 15.44	191 / 284	156 / 71	10.9 / 278
42032M180610800	6	18	0.724 / 18.39	268 / 399	234 / 106	13 / 331
42032M180810800	8	18	0.784 / 19.92	327 / 487	312 / 142	14.1 / 359
42032M181210800	12	18	0.993 / 25.23	503 / 748	468 / 212	17.9 / 454
42032M181610800	16	18	1.104 / 28.04	623 / 927	624 / 283	19.9 / 505
42032M182410800	24	18	1.364 / 34.65	889 / 1323	936 / 425	24.6 / 624
42031M200110800	1	20	0.296 / 7.52	48 / 71	24 / 11	5.3 / 135
42032M200210800	2	20	0.458 / 11.62	101 / 150	48 / 22	8.2 / 209
42032M200210800	2	20	0.458 / 11.62	101 / 150	48 / 22	8.2 / 209
42032M200210800	2	20	0.458 / 11.62	101 / 150	48 / 22	8.2 / 209
42032M200810800	8	20	0.721 / 18.31	261 / 388	192 / 87	13 / 330
42032M201210800	12	20	0.913 / 23.19	401 / 597	288 / 131	16.4 / 417
42032M201610800	16	20	1.012 / 25.71	492 / 732	384 / 174	18.2 / 463
42032M202410800	24	20	1.247 / 31.67	696 / 1036	576 / 261	22.4 / 570

CSA LSZH Unarmoured Tray Control, Multi-Conductor, 300 V

LSZH Tray Control cables are suitable for use in ventilated, non-ventilated and ladder type cable trays, direct burial, raceways and for exposed or concealed wiring in wet, damp or dry locations in -40°C (-40°F) environments. Applicable for use in Utilities, Industrial and Commercial applications.

Standards:



- 1 – Insulated Grounding Conductor
- 2 – Stranded Bare Copper Conductors (Tin-coated Available)
- 3 – Halogen Free XLPE (RW90 Rated) Insulated Conductors
- 4 – Polypropylene Fillers
- 5 – Fiberglass Tape
- 6 – Polyester Separator Tape
- 7 – LSZH Outer Protective Jacket

Product Construction

Insulation:

- XLPE (RW90 rated) rated: 90°C wet/dry

Shielding (foil-free edge):

- OS (optional)

Jacket:

- LSZH outer black jacket rated: 90°C

Available in:

- Custom insulation/ jacket colours
- Composite constructions

Certification/Compliances

- CSA C22.2 NO. 230, Tray Cables (TC)
- CSA C22.2 NO. 239, Control & Instrumentation Cables (Type CIC)
- CSA C22.2 NO. 38, Thermoset Insulated Wires & Cables (XLPE)
- CSA FT4,- ST1 Halogen Free & UL 1685 FT4, Vertical Tray Flame Test rated
- IEEE 383 & 1202 (70,000 BTU/hr), Vertical Flame Test rated
- ICEA T-30-520 (70,000 BTU/hr), Vertical Flame Test rated
- XLPE (RW90) rated, 90°C wet/dry

- UV sunlight resistant "SUN RES" (all colours)
- Direct burial rated
- -40°C cold bend rated
- -25°C cold impact rated
- Rated for use in hazardous locations:
 - Class 1 Zone 0 (Intrinsically Safe cables only)
 - Class 1 Zone 2 (Div 2)

Colour Coding

- 2C – Black & white
- 3C – Black, red & blue
- 4C – Black, red, blue & white
- 5C-50C – Black # coded

300 V

Voltage
(Optional: 600 V)

CSA Type TC

Control

CSA LSZH Unarmoured Tray Control, Multi-Conductor, 300 V

PART NUMBER	NUMBER OF CONDUCTORS	CONDUCTOR SIZE	GROUND WIRE SIZE	NORMAL DIAMETERS OVERALL CABLE	CABLE WEIGHT	AMPACITY	MAX PULLING TENSION (PULLING EYE)	MIN BEND RADIUS (PULL)
		(AWG/ kcmil)	(AWG/ kcmil)	(in/mm)	(lbs/1000ft) (kg/km)	(30°C ambient)	(lb/kg)	(in/mm)
42010M20020080G	2	20	20	0.291 / 7.39	44 / 65	3.5	24 / 11	2.6 / 66
42010M20030080G	3	20	20	0.313 / 7.96	51 / 77	3.5	32 / 15	2.8 / 72
42010M20040080G	4	20	20	0.338 / 8.59	61 / 91	2.8	40 / 18	3.0 / 77
42010M20050080G	5	20	20	0.364 / 9.25	70 / 104	2.8	48 / 22	3.3 / 83
42010M20060080G	6	20	20	0.364 / 9.25	74 / 110	2.45	56 / 25	3.3 / 83
42010M20080080G	8	20	20	0.416 / 10.58	93 / 139	2.45	72 / 33	3.7 / 95
42010M20100080G	10	20	20	0.45 / 11.43	107 / 159	2.45	88 / 40	4 / 103
42010M20120080G	12	20	20	0.471 / 11.96	118 / 175	2.45	104 / 47	4.2 / 108
42010M20150080G	15	20	20	0.51 / 12.96	139 / 206	2.45	128 / 58	4.6 / 117
42010M20200080G	20	20	20	0.592 / 15.03	190 / 283	2.45	168 / 76	5.3 / 135
42010M20250080G	25	20	20	0.652 / 16.56	226 / 337	2.1	208 / 94	5.9 / 149
42010M20300080G	30	20	20	0.699 / 17.76	258 / 384	2.1	248 / 112	6.3 / 160
42010M20400080G	40	20	20	0.78 / 19.82	325 / 483	2.1	328 / 149	7 / 178
42010M20500080G	50	20	20	0.845 / 21.46	384 / 572	1.75	408 / 185	7.6 / 193
42010M18020080G	2	18	18	0.312 / 7.93	53 / 79	5	39 / 18	2.8 / 71
42010M18030080G	3	18	18	0.337 / 8.57	63 / 94	5	52 / 24	3.0 / 77
42010M18040080G	4	18	18	0.365 / 9.28	76 / 114	4	65 / 29	3.3 / 83
42010M18050080G	5	18	18	0.394 / 10.01	88 / 131	4	78 / 35	3.5 / 90
42010M18060080G	6	18	18	0.394 / 10.01	93 / 139	3.5	91 / 41	3.5 / 90
42010M18080080G	8	18	18	0.453 / 11.49	118 / 175	3.5	117 / 53	4.1 / 103
42010M18100080G	10	18	18	0.49 / 12.45	136 / 203	3.5	143 / 65	4.4 / 112
42010M18120080G	12	18	18	0.513 / 13.03	153 / 227	3.5	169 / 77	4.6 / 117
42010M18150080G	15	18	18	0.587 / 14.91	200 / 297	3.5	208 / 94	5.3 / 134
42010M18200080G	20	18	18	0.645 / 16.38	246 / 366	3.5	273 / 124	5.8 / 147
42010M18250080G	25	18	18	0.712 / 18.08	295 / 439	3	338 / 153	6.4 / 163
42010M18300080G	30	18	18	0.765 / 19.43	338 / 503	3	403 / 183	6.9 / 175
42010M18400080G	40	18	18	0.895 / 22.74	468 / 696	3	533 / 242	8.1 / 205
42010M18500080G	50	18	18	0.967 / 24.56	554 / 825	2.5	663 / 301	8.7 / 221
42010M16020080G	2	16	16	0.338 / 8.59	71 / 105	10	62 / 28	3.0 / 77
42010M16030080G	3	16	16	0.366 / 9.3	82 / 122	10	82 / 37	3.3 / 84
42010M16040080G	4	16	16	0.398 / 10.1	97 / 145	8	103 / 47	3.6 / 91
42010M16050080G	5	16	16	0.43 / 10.92	113 / 168	8	124 / 56	3.9 / 98

*Ampacity value based on Canadian Electrical Code, Version 2018, Table-2 and Table-57. Values are corrected according to Table-5C and Table-57 for number of Conductors.

CSA LSZH Unarmoured Tray Control, Multi-Conductor, 300 V

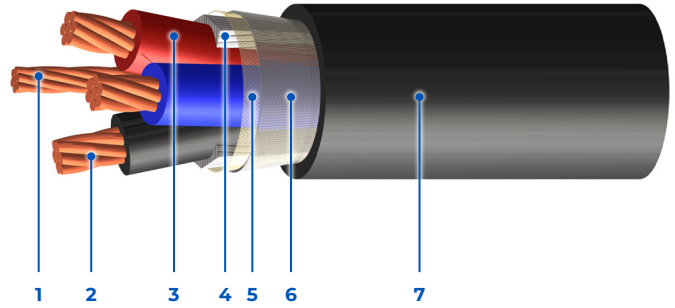
PART NUMBER	NUMBER OF CONDUCTORS	CONDUCTOR SIZE	GROUND WIRE SIZE	NORMAL DIAMETERS OVERALL CABLE	CABLE WEIGHT	AMPACITY	MAX PULLING TENSION (PULLING EYE)	MIN BEND RADIUS (PULL)
		(AWG/ kcmil)	(AWG/ kcmil)	(in/mm)	(lbs/1000ft) (kg/km)	(30°C ambient)	(lb/kg)	(in/mm)
42010M16060080G	6	16	16	0.43 / 10.92	122 / 181	7	144 / 65	3.9 / 98
42010M16080080G	8	16	16	0.496 / 12.6	155 / 230	7	185 / 84	4.5 / 113
42010M16100080G	10	16	16	0.568 / 14.43	201 / 299	7	227 / 103	5.1 / 130
42010M16120080G	12	16	16	0.594 / 15.09	226 / 336	7	268 / 121	5.3 / 136
42010M16150080G	15	16	16	0.644 / 16.35	264 / 392	7	330 / 150	5.8 / 147
42010M16200080G	20	16	16	0.708 / 17.99	330 / 491	7	433 / 196	6.4 / 162
42010M16250080G	25	16	16	0.784 / 19.91	398 / 592	6	536 / 243	7.1 / 179
42010M16300080G	30	16	16	0.843 / 21.42	460 / 685	6	639 / 290	7.6 / 193
42010M16400080G	40	16	16	0.985 / 25.02	628 / 935	6	845 / 383	8.9 / 225
42010M16500080G	50	16	16	1.066 / 27.07	754 / 1122	5	1051 / 477	9.6 / 244
42010M14020080G	2	14	14	0.366 / 9.3	88 / 132	25	99 / 45	3.3 / 84
42010M14030080G	3	14	14	0.398 / 10.1	109 / 162	25	132 / 60	3.6 / 91
42010M14040080G	4	14	14	0.433 / 10.99	125 / 187	20	165 / 75	3.9 / 99
42010M14050080G	5	14	14	0.469 / 11.91	147 / 218	20	197 / 90	4.2 / 107
42010M14060080G	6	14	14	0.469 / 11.91	160 / 238	17.5	230 / 104	4.2 / 107
42010M14080080G	8	14	14	0.573 / 14.55	224 / 333	17.5	296 / 134	5.2 / 131
42010M14100080G	10	14	14	0.62 / 15.75	262 / 389	17.5	362 / 164	5.6 / 142
42010M14120080G	12	14	14	0.649 / 16.49	297 / 441	17.5	428 / 194	5.8 / 148
42010M14150080G	15	15	14	0.705 / 17.9	351 / 522	17.5	526 / 239	6.3 / 161
42010M14200080G	20	20	14	0.777 / 19.74	442 / 658	17.5	691 / 313	7 / 178
42010M14250080G	25	25	14	0.902 / 22.91	574 / 855	15	855 / 388	8.1 / 206
42010M14300080G	30	30	14	0.969 / 24.6	665 / 990	15	1020 / 463	8.7 / 221
42010M14400080G	40	40	14	1.082 / 27.49	847 / 1261	15	1349 / 612	9.7 / 247
42010M14500080G	50	50	14	1.173 / 29.8	1021 / 1520	12.5	1678 / 761	10.6 / 268

*Ampacity value based on Canadian Electrical Code, Version 2018, Table-2 and Table-57. Values are corrected according to Table-5C and Table-57 for number of Conductors.

CSA LSZH Unarmoured Tray Control, Multi-Conductor, 600 V

LSZH Tray Control cables are suitable for use in ventilated, non-ventilated and ladder type cable trays, direct burial, raceways and for exposed or concealed wiring in wet, damp or dry locations in -40°C (-40°F) environments. Applicable for use in Utilities, Industrial and Commercial applications.

Standards:



- 1 – Grounding Conductor
- 2 – Stranded Bare (ASTM B8) Annealed Copper Conductors
- 3 – XLPE (RW90 Rated) Insulated Conductors
- 4 – Polypropylene Fillers
- 5 – Fiberglass Tape
- 6 – Polyester Separator Tape
- 7 – LSZH Outer Protective Jacket

Product Construction

Insulation:

- XLPE (RW90 rated) rated: 90°C wet/dry

Shielding (foil-free edge):

- OS (optional)

Jacket:

- LSZH outer black jacket rated: 90°C

Available in:

- Custom insulation/jacket colours
- Composite constructions

Certification/Compliances

- CSA C22.2 NO. 230, Tray Cables (TC)
- CSA C22.2 NO. 239, Control & Instrumentation Cables (Type CIC)
- CSA C22.2 NO. 38, Thermoset Insulated Wires & Cables (XLPE)
- CSA FT4,- ST1 Halogen Free & UL 1685 FT4, Vertical Tray Flame Test rated
- IEEE 383 & 1202 (70,000 BTU/hr), Vertical Flame Test rated
- ICEA T-30-520 (70,000 BTU/hr), Vertical Flame Test rated
- XLPE (RW90 rated), 90°C wet/dry

- UV sunlight resistant "SUN RES" (all colours)
- Direct burial rated
- -40°C cold bend rated
- -25°C cold impact rated
- Rated for use in hazardous locations:
 - Class 1 Zone 0 (Intrinsically Safe cables only)
 - Class I Zone 2 (Div 2)

Colour Coding

- 2C – Black & white
- 3C – Black, red & blue
- 4C – Black, red, blue & white
- 5C-50C – Black # coded

600 V

Voltage (Optional: 1000 V)

CSA Type TC

Control

CSA LSZH Unarmoured Tray Control, Multi-Conductor, 600 V

PART NUMBER	NUMBER OF CONDUCTORS	CONDUCTOR SIZE	GROUND WIRE SIZE	NOMINAL DIAMETER OVERALL CABLE	CABLE WEIGHT	AMPACITY	MAX PULLING TENSION (PULLING EYE)	MIN BEND RADIUS (PULL)
		(AWG/ kcmil)	(AWG/ kcmil)	(in/mm)	(lbs/1000ft) (kg/km)	(30°C ambient)	(lb/kg)	(in/mm)
49010M140200800	2	14	14	0.372 / 9.45	89 / 133	25	66 / 30	3.3 / 85
49010M140300800	3	14	14	0.403 / 10.23	107 / 159	25	99 / 45	3.6 / 92
49010M140400800	4	14	14	0.436 / 11.07	130 / 193	20	132 / 60	3.9 / 100
49010M140500800	5	14	14	0.465 / 11.81	146 / 218	20	165 / 75	4.2 / 106
49010M140600800	6	14	14	0.505 / 12.83	170 / 253	20	197 / 90	4.5 / 115
49010M140700800	7	14	14	0.575 / 14.6	212 / 315	17.5	230 / 104	5.2 / 131
49010M140800800	8	14	14	0.616 / 15.65	237 / 353	17.5	263 / 119	5.5 / 141
49010M141000800	10	14	14	0.668 / 16.97	275 / 410	17.5	329 / 149	6 / 153
49010M141200800	12	14	14	0.688 / 17.48	309 / 460	17.5	395 / 179	6.2 / 157
49010M141400800	14	14	14	0.722 / 18.35	351 / 522	17.5	461 / 209	6.5 / 165
49010M141500800	15	14	14	0.741 / 18.83	371 / 551	17.5	494 / 224	6.7 / 169
49010M142000800	20	14	14	0.841 / 21.36	470 / 699	17.5	658 / 298	7.6 / 192
49010M142500800	25	14	14	0.974 / 24.74	613 / 913	15	823 / 373	8.8 / 223
49010M143000800	30	14	14	1.028 / 26.12	703 / 1046	15	987 / 448	9.3 / 235
49010M144000800	40	14	14	1.147 / 29.13	898 / 1336	15	1316 / 597	10.3 / 262
49010M145000800	50	14	14	1.272 / 32.31	1087 / 1617	12.5	1645 / 746	11.4 / 291
49010M120200800	2	12	14	0.408 / 10.36	111 / 166	30	104 / 47	3.7 / 93
49010M120300800	3	12	14	0.443 / 11.25	140 / 208	30	157 / 71	4 / 101
49010M120400800	4	12	14	0.48 / 12.2	168 / 250	24	209 / 95	4.3 / 110
49010M120500800	5	12	14	0.514 / 13.05	200 / 297	24	261 / 118	4.6 / 117
49010M120600800	6	12	14	0.589 / 14.96	252 / 375	24	313 / 142	5.3 / 135
49010M120700800	7	12	14	0.634 / 16.11	287 / 427	21	365 / 166	5.7 / 145
49010M120800800	8	12	14	0.681 / 17.3	316 / 470	21	418 / 189	6.1 / 156
49010M121000800	10	12	14	0.74 / 18.8	371 / 553	21	522 / 237	6.7 / 169
49010M121200800	12	12	14	0.763 / 19.37	424 / 631	21	626 / 284	6.9 / 174
49010M121400800	14	12	14	0.802 / 20.37	479 / 713	21	731 / 331	7.2 / 183
49010M121500800	15	12	14	0.823 / 20.91	507 / 755	21	783 / 355	7.4 / 188
49010M122000800	20	12	14	0.976 / 24.8	693 / 1032	21	1044 / 474	8.8 / 223
49010M122500800	25	12	14	1.082 / 27.48	845 / 1257	18	1305 / 592	9.7 / 247
49010M123000800	30	12	14	1.144 / 29.06	975 / 1451	18	1566 / 710	10.3 / 261
49010M124000800	40	12	14	1.278 / 32.47	1258 / 1872	18	2088 / 947	11.5 / 292
49010M125000800	50	12	14	1.42 / 36.08	1533 / 2281	15	2610 / 1184	12.8 / 325

*Ampacity value based on Canadian Electrical Code, Version 2018, Table-2. Values are corrected according to Table-5C for number of Conductors.

CSA LSZH Unarmoured Tray Control, Multi-Conductor, 600 V

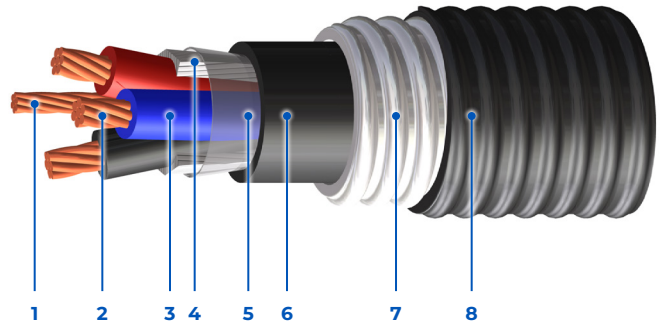
PART NUMBER	NUMBER OF CONDUCTORS	CONDUCTOR SIZE	GROUND WIRE SIZE	NOMINAL DIAMETER OVERALL CABLE	CABLE WEIGHT	AMPACITY	MAX PULLING TENSION (PULLING EYE)	MIN BEND RADIUS (PULL)
		(AWG/ kcmil)	(AWG/ kcmil)	(in/mm)	(lbs/1000ft) (kg/km)	(30°C ambient)	(lb/kg)	(in/mm)
49010M100200800	2	10	12	0.458 / 11.63	153 / 227	40	166 / 75	4.1 / 105
49010M100300800	3	10	12	0.498 / 12.66	192 / 286	40	249 / 113	4.5 / 114
49010M100400800	4	10	12	0.572 / 14.54	257 / 383	32	332 / 151	5.2 / 131
49010M100500800	5	10	12	0.611 / 15.52	300 / 447	32	415 / 188	5.5 / 140
49010M100600800	6	10	12	0.664 / 16.87	350 / 521	32	498 / 226	6 / 152
49010M100700800	7	10	12	0.717 / 18.21	401 / 597	28	581 / 264	6.5 / 164
49010M100800800	8	10	12	0.771 / 19.59	446 / 664	28	664 / 301	6.9 / 176
49010M101000800	10	10	12	0.84 / 21.34	526 / 783	28	830 / 376	7.6 / 192
49010M101200800	12	10	12	0.906 / 23.02	642 / 956	28	996 / 452	8.2 / 207
49010M101400800	14	10	12	0.952 / 24.18	731 / 1087	28	1162 / 527	8.6 / 218
49010M101400800	14	10	12	0.952 / 24.18	731 / 1087	28	1162 / 527	8.6 / 218
49010M101500800	15	10	12	0.977 / 24.81	773 / 1151	28	1245 / 565	8.8 / 223
49010M101500800	15	10	12	0.977 / 24.81	773 / 1151	28	1245 / 565	8.8 / 223
49010M102500800	25	10	12	1.232 / 31.29	1211 / 1802	24	2075 / 941	11.1 / 282
49010M104000800	40	10	12	1.461 / 37.1	1828 / 2720	24	3320 / 1506	13.1 / 334
49010M105000800	50	10	12	1.626 / 41.31	2236 / 3327	20	4150 / 1882	14.6 / 372

*Ampacity value based on Canadian Electrical Code, Version 2018, Table-2. Values are corrected according to Table-5C for number of Conductors.

CSA LSZH ACIC Armoured Control, Multi-Conductor, 600 V

LSZH AIA Control cables are suitable for use in ventilated, non-ventilated and ladder type cable trays, direct burial, raceways and for exposed or concealed wiring in wet, damp or dry locations in -40°C (-40°F) environments. Applicable for use in Utilities, Industrial and Commercial applications.

Standards:



- | | |
|--|---------------------------------------|
| 1 – Grounding/Bonding Conductor | 5 – Polyester Separator Tape |
| 2 – Stranded Bare (ASTM B8) Annealed Copper Conductors | 6 – LSZH Inner Protective Jacket |
| 3 – XLPE (RW90 Rated) Insulated Conductors | 7 – Aluminum Interlocked Armour (AIA) |
| 4 – Polypropylene Fillers | 8 – LSZH Outer Protective Jacket |

Product Construction

Insulation:

- XLPE (RW90 rated) rated: 90°C wet/dry

Shielding (foil-free edge):

- OS (optional)

Jacket:

- LSZH inner/outer black jacket rated: 90°C

Armour:

- Aluminum Interlocked Armour (AIA) (standard)
- Steel Interlocked Armour (SIA) (optional)
- Serve Wire Armour (SWA) (optional)

Available in:

- Custom insulation/jacket colours
- Composite constructions

Certification/Compliances

- CSA C22.2 NO. 239, Control & Instrumentation Cables (Type ACIC)
- CSA C22.2 NO. 38, Thermoset Insulated Wires & Cables (XLPE)
- CSA FT4,- ST1 Halogen Free & UL 1685 FT4, Vertical Tray Flame Test rated
- IEEE 383 & 1202 (70,000 BTU/hr), Vertical Flame Test rated
- ICEA T-30-520 (70,000 BTU/hr), Vertical Flame Test rated
- XLPE (RW90 rated), 90°C wet/dry
- UV sunlight resistant "SUN RES" (all colours)
- Direct burial rated
- -40°C cold bend rated
- -25°C cold impact rated

- Rated for use in hazardous locations:

- Class 1 Zone 0 (Intrinsically Safe cables only)
- Class 1 Zone 1 (Div 1)
- Class 1 Zone 2 (Div 2)

Colour Coding

- 2C – Black & white
- 3C – Black, red & blue
- 4C – Black, red, blue & white
- 5C-50C – Black # coded

600 V

Voltage (Optional: 300/1000 V)

CSA Type ACIC

Control

CSA LSZH ACIC Armoured Control, Multi-Conductor, 600 V

PART NUMBER	NUMBER OF CONDUCTORS	CONDUCTOR SIZE <i>(AWG/kcmil)</i>	GROUND WIRE SIZE <i>(AWG/kcmil)</i>	OD OVER INNER JACKET <i>(in/mm)</i>	NORMAL DIAMETERS		CABLE WEIGHT <i>(lbs/1000ft) (kg/km)</i>	AMPACITY <i>(30°C ambient)</i>	MAX PULLING TENSION (PULLING EYE) <i>(lb/kg)</i>	MIN BEND RADIUS (PULL) <i>(in/mm)</i>
					OVER ARMOUR <i>(in/mm)</i>	OVERALL CABLE <i>(in/mm)</i>				
69210M140200814	2	14	14	0.372 / 9.45	0.612 / 15.54	0.724 / 18.39	235 / 349	25	66 / 30	13 / 331
69210M140300814	3	14	14	0.403 / 10.23	0.643 / 16.32	0.755 / 19.17	263 / 391	25	99 / 45	13.6 / 345
69210M140400814	4	14	14	0.436 / 11.07	0.676 / 17.17	0.788 / 20.01	292 / 435	20	132 / 60	14.2 / 360
69210M140500814	5	14	14	0.465 / 11.81	0.705 / 17.91	0.817 / 20.76	321 / 477	20	165 / 75	14.7 / 374
69210M140600814	6	14	14	0.505 / 12.83	0.745 / 18.92	0.857 / 21.77	354 / 527	20	197 / 90	15.4 / 392
69210M140700814	7	14	14	0.575 / 14.6	0.815 / 20.69	0.927 / 23.54	413 / 615	17.5	230 / 104	16.7 / 424
69210M140800814	8	14	14	0.616 / 15.65	0.856 / 21.75	0.968 / 24.59	449 / 669	17.5	263 / 119	17.4 / 443
69210M141000814	10	14	14	0.668 / 16.97	0.908 / 23.06	1.02 / 25.91	501 / 746	17.5	329 / 149	18.4 / 466
69210M141200814	12	14	14	0.688 / 17.48	0.928 / 23.58	1.04 / 26.42	540 / 804	17.5	395 / 179	18.7 / 476
69210M141500814	15	14	14	0.741 / 18.83	0.981 / 24.92	1.093 / 27.77	615 / 915	17.5	494 / 224	19.7 / 500
69210M142000814	20	14	14	0.841 / 21.36	1.081 / 27.45	1.193 / 30.3	786 / 1170	17.5	658 / 298	21.5 / 545
69210M142500814	25	14	14	0.974 / 24.74	1.214 / 30.84	1.326 / 33.68	970 / 1443	15	823 / 373	23.9 / 606
69210M143000814	30	14	14	1.028 / 26.12	1.269 / 32.22	1.381 / 35.07	1077 / 1603	15	987 / 448	24.9 / 631
69210M144000814	40	14	14	1.147 / 29.13	1.387 / 35.22	1.499 / 38.07	1307 / 1945	15	1316 / 597	27 / 685
69210M145000814	50	14	14	1.272 / 32.31	1.512 / 38.4	1.624 / 41.24	1535 / 2284	12.5	1645 / 746	29.2 / 742
69210M120200814	2	12	14	0.408 / 10.36	0.648 / 16.46	0.76 / 19.3	265 / 394	30	104 / 47	13.7 / 347
69210M120300814	3	12	14	0.443 / 11.25	0.683 / 17.34	0.795 / 20.18	303 / 450	30	157 / 71	14.3 / 363
69210M120400814	4	12	14	0.48 / 12.2	0.721 / 18.31	0.833 / 21.15	342 / 508	24	209 / 95	15 / 381
69210M120500814	5	12	14	0.514 / 13.05	0.754 / 19.14	0.866 / 21.98	380 / 566	24	261 / 118	15.6 / 396
69210M120600814	6	12	14	0.589 / 14.96	0.829 / 21.06	0.941 / 23.9	451 / 671	24	313 / 142	16.9 / 430
69210M120700814	7	12	14	0.634 / 16.11	0.874 / 22.21	0.986 / 25.06	498 / 741	21	365 / 166	17.8 / 451
69210M120800814	8	12	14	0.681 / 17.3	0.921 / 23.4	1.033 / 26.24	545 / 811	21	418 / 189	18.6 / 472
69210M121000814	10	12	14	0.74 / 18.8	0.98 / 24.89	1.092 / 27.74	615 / 915	21	522 / 237	19.7 / 499
69210M121200814	12	12	14	0.763 / 19.37	0.982 / 24.96	1.095 / 27.8	713 / 1060	21	626 / 284	19.7 / 500
69210M121500814	15	12	14	0.823 / 20.91	1.063 / 27	1.175 / 29.85	818 / 1218	21	783 / 355	21.2 / 537
69210M122000814	20	12	14	0.976 / 24.8	1.216 / 30.9	1.328 / 33.74	1052 / 1565	21	1044 / 474	23.9 / 607
69210M122500814	25	12	14	1.082 / 27.48	1.322 / 33.58	1.434 / 36.42	1234 / 1836	18	1305 / 592	25.8 / 656
69210M123000814	30	12	14	1.144 / 29.06	1.384 / 35.15	1.496 / 37.99	1384 / 2060	18	1566 / 710	26.9 / 684
69210M124000814	40	12	14	1.278 / 32.47	1.518 / 38.57	1.63 / 41.41	1708 / 2542	18	2088 / 947	29.3 / 745
69210M125000814	50	12	14	1.42 / 36.08	1.66 / 42.17	1.792 / 45.53	2065 / 3073	15	2610 / 1184	32.3 / 819

*Ampacity value based on Canadian Electrical Code, Version 2018, Table-2 and Table-57. Values are corrected according to Table-5C and Table-57 for number of Conductors.

CSA LSZH ACIC Armoured Control, Multi-Conductor, 600 V

PART NUMBER	NUMBER OF CONDUCTORS	CONDUCTOR SIZE <i>(AWG/kcmil)</i>	GROUND WIRE SIZE <i>(AWG/kcmil)</i>	OD OVER INNER JACKET <i>(in/mm)</i>	NORMAL DIAMETERS		CABLE WEIGHT <i>(lbs/1000ft) (kg/km)</i>	AMPACITY <i>(30°C ambient)</i>	MAX PULLING TENSION (PULLING EYE) <i>(lb/kg)</i>	MIN BEND RADIUS (PULL) <i>(in/mm)</i>
					OVER ARMOUR <i>(in/mm)</i>	OVERALL CABLE <i>(in/mm)</i>				
69210M180200814	2	10	12	0.458 / 11.63	0.698 / 17.73	0.81 / 20.57	317 / 471	40	166 / 75	14.6 / 370
69210M180300814	3	10	12	0.498 / 12.66	0.739 / 18.76	0.851 / 21.61	370 / 550	40	249 / 113	15.3 / 389
69210M180400814	4	10	12	0.572 / 14.54	0.813 / 20.64	0.925 / 23.49	450 / 670	32	332 / 151	16.6 / 423
69210M180500814	5	10	12	0.611 / 15.52	0.851 / 21.62	0.963 / 24.46	506 / 753	32	415 / 188	17.3 / 440
69210M180600814	6	10	12	0.664 / 16.87	0.904 / 22.96	1.016 / 25.81	568 / 845	32	498 / 226	18.3 / 465
69210M180700814	7	10	12	0.717 / 18.21	0.957 / 24.31	1.069 / 27.15	631 / 940	28	581 / 264	19.2 / 489
69210M180800814	8	10	12	0.771 / 19.59	0.991 / 25.18	1.103 / 28.03	737 / 1096	28	664 / 301	19.9 / 504
69210M181000814	10	10	12	0.84 / 21.34	1.08 / 27.43	1.192 / 30.28	842 / 1254	28	830 / 376	21.5 / 545
69210M181200814	12	10	12	0.906 / 23.02	1.147 / 29.12	1.258 / 31.97	979 / 1456	28	996 / 452	22.7 / 575
69210M181500814	15	10	12	0.977 / 24.81	1.217 / 30.91	1.329 / 33.76	1131 / 1684	28	1245 / 565	23.9 / 608
69210M182000814	20	10	12	1.109 / 28.16	1.349 / 34.26	1.461 / 37.11	1388 / 2066	28	1660 / 753	26.3 / 668
69210M182500814	25	10	12	1.232 / 31.29	1.472 / 37.39	1.584 / 40.23	1646 / 2449	24	2075 / 941	28.5 / 724
69210M183000814	30	10	12	1.304 / 33.12	1.544 / 39.23	1.676 / 42.58	1903 / 2832	24	2490 / 1129	30.2 / 766
69210M184000814	40	10	12	1.461 / 37.1	1.701 / 43.21	1.833 / 46.56	2372 / 3530	24	3320 / 1506	33 / 838
69210M185000814	50	10	12	1.626 / 41.31	1.931 / 49.05	2.063 / 52.4	2926 / 4354	20	4150 / 1882	37.1 / 943
69210M160200814	2	16	16	0.346 / 8.79	0.346 / 8.79	0.698 / 17.73	211 / 314	10	41 / 19	12.6 / 319
69210M160300814	3	16	16	0.374 / 9.49	0.374 / 9.49	0.726 / 18.43	233 / 347	10	62 / 28	13.1 / 332
69210M160400814	4	16	16	0.404 / 10.25	0.404 / 10.25	0.756 / 19.2	256 / 381	8	82 / 37	13.6 / 346
69210M160500814	5	16	16	0.43 / 10.92	0.43 / 10.92	0.782 / 19.87	279 / 415	8	103 / 47	14.1 / 358
69210M160600814	6	16	16	0.466 / 11.84	0.466 / 11.84	0.818 / 20.78	305 / 453	8	124 / 56	14.7 / 374
69210M160700814	7	16	16	0.502 / 12.75	0.502 / 12.75	0.854 / 21.69	331 / 493	7	144 / 65	15.4 / 390
69210M160800814	8	16	16	0.569 / 14.46	0.569 / 14.46	0.921 / 23.4	386 / 575	7	165 / 75	16.6 / 421
69210M161000814	10	16	16	0.616 / 15.65	0.616 / 15.65	0.968 / 24.59	425 / 632	7	206 / 93	17.4 / 443
69210M161200814	12	16	16	0.634 / 16.1	0.634 / 16.1	0.986 / 25.05	455 / 677	7	247 / 112	17.8 / 451
69210M161500814	15	16	16	0.682 / 17.32	0.682 / 17.32	1.034 / 26.26	508 / 756	7	309 / 140	18.6 / 473
69210M162000814	20	16	16	0.772 / 19.61	0.772 / 19.61	1.104 / 28.04	646 / 962	7	412 / 187	19.9 / 505
69210M162500814	25	16	16	0.896 / 22.76	0.896 / 22.76	1.248 / 31.7	802 / 1193	6	515 / 234	22.5 / 571
69210M163000814	30	16	16	0.945 / 24.01	0.945 / 24.01	1.297 / 32.94	879 / 1308	6	618 / 280	23.3 / 593
69210M164000814	40	16	16	1.052 / 26.72	1.052 / 26.72	1.404 / 35.66	1058 / 1574	6	824 / 374	25.3 / 642
69210M165000814	50	16	16	1.165 / 29.59	1.165 / 29.59	1.517 / 38.52	1229 / 1828	5	1030 / 467	27.3 / 693

*Ampacity value based on Canadian Electrical Code, Version 2018, Table-2 and Table-57. Values are corrected according to Table-5C and Table-57 for number of Conductors.

CSA LSZH ACIC Armoured Control, Multi-Conductor, 600 V

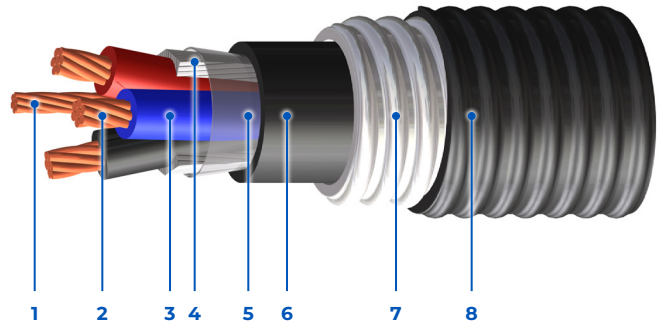
PART NUMBER	NUMBER OF CONDUCTORS	CONDUCTOR SIZE <i>(AWG/kcmil)</i>	GROUND WIRE SIZE <i>(AWG/kcmil)</i>	OD OVER INNER JACKET <i>(in/mm)</i>	NORMAL DIAMETERS		CABLE WEIGHT <i>(lbs/1000ft) (kg/km)</i>	AMPACITY <i>(30°C ambient)</i>	MAX PULLING TENSION (PULLING EYE) <i>(lb/kg)</i>	MIN BEND RADIUS (PULL) <i>(in/mm)</i>
					OVER ARMOUR <i>(in/mm)</i>	OVERALL CABLE <i>(in/mm)</i>				
69210M180200814	2	18	18	0.322 / 8.18	0.322 / 8.18	0.674 / 17.12	191 / 285	5	26 / 12	12.1 / 308
69210M180300814	3	18	18	0.338 / 8.59	0.338 / 8.59	0.69 / 17.53	205 / 306	5	39 / 18	12.4 / 316
69210M180400814	4	18	18	0.366 / 9.3	0.366 / 9.3	0.719 / 18.25	224 / 333	4	52 / 24	12.9 / 329
69210M180500814	5	18	18	0.398 / 10.1	0.398 / 10.1	0.749 / 19.04	246 / 366	4	65 / 29	13.5 / 343
69210M180600814	6	18	18	0.43 / 10.92	0.43 / 10.92	0.782 / 19.86	267 / 397	4	78 / 35	14.1 / 358
69210M180700814	7	18	18	0.462 / 11.74	0.462 / 11.74	0.814 / 20.69	289 / 430	3.5	91 / 41	14.7 / 372
69210M180800814	8	18	18	0.496 / 12.6	0.496 / 12.6	0.848 / 21.54	311 / 462	3.5	104 / 47	15.3 / 388
69210M181000814	10	18	18	0.568 / 14.43	0.568 / 14.43	0.92 / 23.37	367 / 546	3.5	130 / 59	16.6 / 421
69210M181200814	12	18	18	0.584 / 14.84	0.584 / 14.84	0.936 / 23.78	389 / 579	3.5	156 / 71	16.9 / 428
69210M181500814	15	18	18	0.627 / 15.94	0.627 / 15.94	0.979 / 24.87	429 / 639	3.5	195 / 88	17.6 / 448
69210M182000814	20	18	18	0.708 / 17.99	0.708 / 17.99	1.061 / 26.94	507 / 755	3.5	260 / 118	19.1 / 485
69210M182500814	25	18	18	0.784 / 19.91	0.784 / 19.91	1.136 / 28.85	626 / 931	3	325 / 147	20.4 / 519
69210M183000814	30	18	18	0.828 / 21.04	0.828 / 21.04	1.181 / 29.99	681 / 1014	3	390 / 177	21.2 / 540
69210M184000814	40	18	18	0.964 / 24.5	0.964 / 24.5	1.316 / 33.44	866 / 1289	3	520 / 236	23.7 / 602
69210M185000814	50	18	18	1.066 / 27.07	1.066 / 27.07	1.418 / 36.01	998 / 1485	2.5	650 / 295	25.5 / 648

*Ampacity value based on Canadian Electrical Code, Version 2018, Table-2 and Table-57. Values are corrected according to Table-5C and Table-57 for number of Conductors.

CSA LSZH ACIC Armoured Power, Multi-Conductor, 1000 V

LSZH AIA Control cables are suitable for use in ventilated, non-ventilated and ladder type cable trays, direct burial, raceways and for exposed or concealed wiring in wet, damp or dry locations in -40°C (-40°F) environments. Applicable for use in Utilities, Industrial and Commercial applications.

Standards:



- 1 – Grounding/Bonding Conductor
- 2 – Stranded Bare (ASTM B8) Annealed Copper Conductors
- 3 – XLPE (RW90 Rated) Insulated Conductors
- 4 – Polypropylene Fillers
- 5 – Polyester Separator Tape
- 6 – LSZH Inner Protective Jacket
- 7 – Aluminum Interlocked Armour (AIA)
- 8 – LSZH Outer Protective Jacket

Product Construction

Insulation:

- XLPE (RW90 rated) rated: 90°C wet/dry

Shielding (foil-free edge):

- OS (optional)

Jacket:

- LSZH outer black jacket rated: 90°C

Armour:

- Aluminum Interlocked Armour (AIA) (standard)
- Steel Interlocked Armour (SIA) (optional)
- Serve Wire Armour (SWA) (optional)

Available in:

- Custom insulation/ jacket colours
- Composite constructions

Certification/Compliances

- CSA C22.2 NO. 239, Control & Instrumentation Cables (Type ACIC)
- CSA C22.2 NO. 38, Thermoset Insulated Wires & Cables (XLPE)
- CSA FT4,- ST1 Halogen Free & UL 1685 FT4, Vertical Tray Flame Test rated
- IEEE 383 & 1202 (70,000 BTU/hr), Vertical Flame Test rated
- ICEA T-30-520 (70,000 BTU/hr), Vertical Flame Test rated
- XLPE (RW90 rated), 90°C wet/dry
- UV sunlight resistant "SUN RES" (all colours)
- Direct burial rated
- -40°C cold bend rated
- -25°C cold impact rated

- Rated for use in hazardous locations:

- Class 1 Zone 0 (Intrinsically Safe cables only)
- Class I Zone 1 (Div 1)
- Class I Zone 2 (Div 2)

Colour Coding

- 2C – Black & white
- 3C – Black, red & blue
- 4C – Black, red, blue & white
- 5C-50C – Black # coded

1000 V

Voltage (Optional: 600 V)

CSA Type ACIC

Power

CSA LSZH ACIC Armoured Power, Multi-Conductor, 1000 V

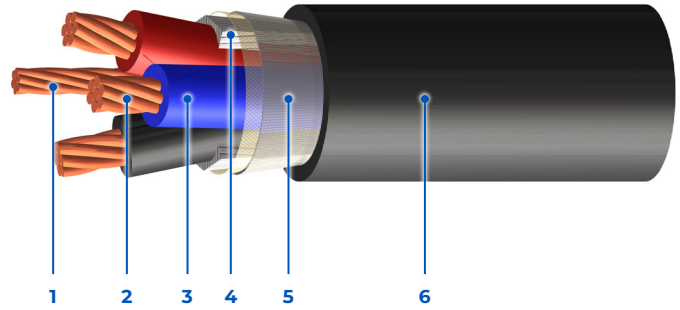
PART NUMBER	NUMBER OF CONDUCTORS	CONDUCTOR SIZE	GROUND WIRE SIZE	OD OVER INNER JACKET	NORMAL DIAMETERS		CABLE WEIGHT	AMPACITY	MAX PULLING TENSION (PULLING EYE)	MIN BEND RADIUS (PULL)
					OVER ARMOUR	OVERALL CABLE				
		(AWG/ kcmil)	(AWG/ kcmil)	(in/mm)	(in/mm)	(in/mm)	(lbs/1000ft) (kg/km)	(30°C ambient)	(lb/kg)	(in/mm)
60210M080200814	2	8	10	0.606 / 15.39	0.846 / 21.49	0.958 / 24.33	451 / 671	55	265 / 120	17.2 / 438
60210M060200814	2	6	8	0.744 / 18.9	0.984 / 24.99	1.096 / 27.84	605 / 901	75	419 / 190	19.7 / 501
60210M040200814	2	4	8	0.838 / 21.29	1.078 / 27.38	1.19 / 30.23	797 / 1187	95	668 / 303	21.4 / 544
60210M030200814	2	3	6	0.932 / 23.67	1.172 / 29.77	1.284 / 32.61	978 / 1456	115	842 / 382	23.1 / 587
60210M020200814	2	2	6	0.994 / 25.25	1.234 / 31.34	1.346 / 34.19	1102 / 1640	130	1062 / 482	24.2 / 615
60210M010240814	2	1	6	1.152 / 29.26	1.392 / 35.36	1.504 / 38.2	1319 / 1963	145	1339 / 607	27.1 / 688
60210M1/0240814	2	1/0	6	1.232 / 31.29	1.472 / 37.39	1.584 / 40.23	1507 / 2243	170	1690 / 766	28.5 / 724
60210M2/0240814	2	2/0	6	1.318 / 33.48	1.558 / 39.57	1.69 / 42.93	1770 / 2635	195	2130 / 966	30.4 / 773
60210M3/0240814	2	3/0	4	1.42 / 36.07	1.66 / 42.16	1.792 / 45.52	2105 / 3132	225	2671 / 1212	32.3 / 819
60210M4/0240814	2	4/0	4	1.532 / 38.91	1.837 / 46.66	1.969 / 50.01	2541 / 3782	260	3386 / 1536	35.4 / 900
60210M080300814	3	8	10	0.66 / 16.76	0.9 / 22.86	1.012 / 25.7	537 / 799	55	397 / 180	18.2 / 463
60210M060300814	3	6	8	0.813 / 20.66	1.054 / 26.76	1.166 / 29.61	782 / 1164	75	629 / 285	21 / 533
60210M040300814	3	4	8	0.93 / 23.63	1.171 / 29.73	1.283 / 32.58	1029 / 1532	95	1002 / 454	23.1 / 586
60210M030300814	3	3	6	0.988 / 25.11	1.229 / 31.2	1.341 / 34.05	1200 / 1785	115	1263 / 573	24.1 / 613
60210M020300814	3	2	6	1.055 / 26.8	1.295 / 32.9	1.407 / 35.75	1372 / 2042	130	1593 / 723	25.3 / 643
60210M010340814	3	1	6	1.225 / 31.11	1.465 / 37.2	1.577 / 40.05	1664 / 2477	145	2009 / 911	28.4 / 721
60210M1/0340814	3	1/0	6	1.311 / 33.3	1.551 / 39.39	1.683 / 42.74	1966 / 2926	170	2534 / 1150	30.3 / 769
60210M2/0340814	3	2/0	6	1.403 / 35.65	1.644 / 41.74	1.775 / 45.1	2290 / 3409	195	3194 / 1449	32 / 812
60210M3/0240814	3	3/0	4	1.42 / 36.07	1.66 / 42.16	1.792 / 45.52	2105 / 3132	225	2671 / 1212	32.3 / 819
60210M4/0340814	3	4/0	4	1.633 / 41.49	1.938 / 49.24	2.071 / 52.59	3335 / 4964	260	5078 / 2304	37.3 / 947
60210M080400814	4	8	10	0.719 / 18.26	0.959 / 24.35	1.071 / 27.2	625 / 930	55	529 / 240	19.3 / 490
60210M060400814	4	6	8	0.929 / 23.59	1.169 / 29.69	1.281 / 32.53	971 / 1445	75	839 / 380	23.1 / 586
60210M040400814	4	4	8	1.045 / 26.56	1.286 / 32.66	1.398 / 35.5	1248 / 1857	95	1336 / 606	25.2 / 639
60210M030400814	4	3	6	1.112 / 28.26	1.353 / 34.36	1.465 / 37.2	1455 / 2165	115	1684 / 764	26.4 / 670
60210M020400814	4	2	6	1.189 / 30.21	1.429 / 36.3	1.541 / 39.14	1679 / 2498	130	2124 / 964	27.7 / 705
60210M010440814	4	1	6	1.351 / 34.32	1.591 / 40.42	1.723 / 43.77	2082 / 3098	145	2678 / 1215	31 / 788
60210M1/0440814	4	1/0	6	1.448 / 36.77	1.688 / 42.87	1.82 / 46.22	2436 / 3626	170	3379 / 1533	32.8 / 832
60210M2/0440814	4	2/0	6	1.551 / 39.4	1.856 / 47.15	1.988 / 50.51	2948 / 4387	195	4259 / 1932	35.8 / 909
60210M3/0440814	4	3/0	4	1.674 / 42.52	1.979 / 50.28	2.111 / 53.63	3531 / 5255	225	5343 / 2423	38 / 965
60210M4/0440814	4	4/0	4	1.869 / 47.48	2.174 / 55.23	2.306 / 58.58	4336 / 6453	260	6771 / 3071	41.5 / 1054

*Ampacity value based on Canadian Electrical Code, Version 2018, Table-2. Ampacity of 4 conductors cable is based on 3 current-carrying conductors and 1 neutral.

CSA LSZH Unarmoured Tray Power, Multi-Conductor, 1000 V

LSZH Tray Power cables are suitable for use in ventilated, non-ventilated and ladder type cable trays, direct burial, raceways and for exposed or concealed wiring in wet, damp or dry locations in -40°C (-40°F) environments. Applicable for use in Utilities, Industrial and Commercial applications.

Standards:



- 1 – Grounding/Bonding Conductor
- 2 – Stranded Bare (ASTM B8) Annealed Copper Conductors
- 3 – XLPE (RW90 Rated) Insulated Conductors
- 4 – Polypropylene Fillers
- 5 – Fiberglass Tape
- 6 – LSZH Protective Jacket

Product Construction

Insulation:

- XLPE (RW90 rated) rated: 90°C wet/dry

Shielding (foil-free edge):

- OS (optional)

Jacket:

- LSZH outer black jacket rated: 90°C

Available in:

- Custom insulation/ jacket colours
- Composite constructions

Certification/Compliances

- CSA C22.2 NO. 230, Tray Cables (TC)
- CSA C22.2 NO. 239, Control & Instrumentation Cables (Type CIC)
- CSA C22.2 NO. 38, Thermoset Insulated Wires & Cables (XLPE)
- CSA FT4,- ST1 Halogen Free & UL 1685 FT4, Vertical Tray Flame Test rated
- IEEE 383 & 1202 (70,000 BTU/hr), Vertical Flame Test rated
- ICEA T-30-520 (70,000 BTU/hr), Vertical Flame Test rated
- XLPE (RW90 rated), 90°C wet/dry
- UV sunlight resistant "SUN RES" (all colours)
- Direct burial rated

- -40°C cold bend rated
- -25°C cold impact rated
- Rated for use in hazardous locations:
 - Class 1 Zone 0 (Intrinsically Safe cables only)
 - Class I Zone 2 (Div 2)

Colour Coding

- 2C – Black & white
- 3C – Black, red & blue
- 4C – Black, red, blue & white
- 5C to 50C – Black # coded

1000 V

Voltage (Optional: 600 V)

CSA Type TC

Power

CSA LSZH Unarmoured Tray Power, Multi-Conductor, 1000 V

PART NUMBER	NUMBER OF CONDUCTORS	CONDUCTOR SIZE <i>(AWG/kcmil)</i>	GROUND WIRE SIZE <i>(AWG/kcmil)</i>	NOMINAL DIAMETER OVERALL CABLE <i>(in/mm)</i>	CABLE WEIGHT <i>(lbs/1000ft / kg/km)</i>	AMPACITY <i>(30°C ambient)</i>	MAX PULLING TENSION (PULLING EYE) <i>(lb/kg)</i>	MIN BEND RADIUS (PULL) <i>(in/mm)</i>
40010M140200800	2	14	14	0.432 / 10.97	104 / 155	25	66 / 30	3.9 / 99
40010M120200800	2	12	14	0.468 / 11.89	128 / 190	30	104 / 47	4.2 / 107
40010M100200800	2	10	12	0.518 / 13.16	170 / 253	40	166 / 75	4.7 / 118
40010M080200800	2	8	10	0.606 / 15.39	257 / 382	55	265 / 120	5.5 / 139
40010M060200800	2	6	8	0.744 / 18.9	382 / 568	75	419 / 190	6.7 / 170
40010M040200800	2	4	8	0.838 / 21.29	513 / 764	95	668 / 303	7.5 / 192
40010M030200800	2	3	6	0.932 / 23.67	673 / 1001	115	842 / 382	8.4 / 213
40010M020200800	2	2	6	0.994 / 25.25	783 / 1165	130	1062 / 482	8.9 / 227
40010M010240800	2	1	6	1.152 / 29.26	977 / 1454	145	1339 / 607	10.4 / 263
40010M1/0240800	2	1/0	6	1.232 / 31.29	1145 / 1704	170	1690 / 766	11.1 / 282
40010M2/0240800	2	2/0	6	1.318 / 33.48	1364 / 2030	195	2130 / 966	11.9 / 301
40010M3/0240800	2	3/0	4	1.42 / 36.07	1675 / 2492	225	2671 / 1212	12.8 / 325
40010M4/0240800	2	4/0	4	1.532 / 38.91	2015 / 2999	260	3386 / 1536	13.8 / 350
40010M140300800	3	14	14	0.47 / 11.93	126 / 188	25	99 / 45	4.2 / 107
40010M120300800	3	12	14	0.51 / 12.95	159 / 237	30	157 / 71	4.6 / 117
40010M100300800	3	10	12	0.595 / 15.12	234 / 349	40	249 / 113	5.4 / 136
40010M080300800	3	8	10	0.66 / 16.76	325 / 484	55	397 / 180	5.9 / 151
40010M060300800	3	6	8	0.813 / 20.66	490 / 730	75	629 / 285	7.3 / 186
40010M040300800	3	4	8	0.93 / 23.63	710 / 1056	95	1002 / 454	8.4 / 213
40010M030300800	3	3	6	0.988 / 25.11	862 / 1283	115	1263 / 573	8.9 / 226
40010M020300800	3	2	6	1.055 / 26.8	1022 / 1521	130	1593 / 723	9.5 / 241
40010M010340800	3	1	6	1.225 / 31.11	1278 / 1901	145	2009 / 911	11 / 280
40010M1/0340800	3	1/0	6	1.311 / 33.3	1516 / 2256	170	2534 / 1150	11.8 / 300
40010M2/0340800	3	2/0	6	1.403 / 35.65	1819 / 2707	195	3194 / 1449	12.6 / 321
40010M3/0340800	3	3/0	4	1.513 / 38.43	2257 / 3359	225	4007 / 1818	13.6 / 346
40010M4/0340800	3	4/0	4	1.633 / 41.49	2745 / 4085	260	5078 / 2304	14.7 / 373
40010M140400800	4	14	14	0.51 / 12.96	150 / 223	25	132 / 60	4.6 / 117
40010M120400800	4	12	14	0.585 / 14.86	213 / 317	30	209 / 95	5.3 / 134
40010M100400800	4	10	12	0.647 / 16.43	284 / 423	40	332 / 151	5.8 / 148
40010M080400800	4	8	10	0.719 / 18.26	397 / 590	55	529 / 240	6.5 / 164

*Ampacity value based on Canadian Electrical Code, Version 2018, Table-2. Ampacity of 4 conductors cable is based on 3 current-carrying conductors and 1 neutral.

CSA LSZH Unarmoured Tray Power, Multi-Conductor, 1000 V

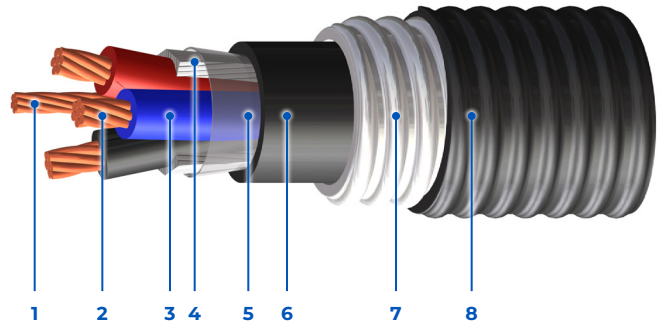
PART NUMBER	NUMBER OF CONDUCTORS	CONDUCTOR SIZE	GROUND WIRE SIZE	NOMINAL DIAMETER OVERALL CABLE	CABLE WEIGHT	AMPACITY	MAX PULLING TENSION (PULLING EYE)	MIN BEND RADIUS (PULL)
		(AWG/kcmil)	(AWG/kcmil)	(in/mm)	(lbs/1000ft) (kg/km)	(30°C ambient)	(lb/kg)	(in/mm)
40010M060400800	4	6	8	0.929 / 23.59	646 / 962	75	839 / 380	8.4 / 212
40010M040400800	4	4	8	1.045 / 26.56	888 / 1322	95	1336 / 606	9.4 / 239
40010M030400800	4	3	6	1.112 / 28.26	1084 / 1614	115	1684 / 764	10 / 254
40010M020400800	4	2	6	1.189 / 30.21	1295 / 1928	130	2124 / 964	10.7 / 272
40010M010440800	4	1	6	1.351 / 34.32	1622 / 2414	145	2678 / 1215	12.2 / 309
40010M1/0440800	4	1/0	6	1.448 / 36.77	1924 / 2863	170	3379 / 1533	13 / 331
40010M2/0440800	4	2/0	6	1.551 / 39.4	2351 / 3499	195	4259 / 1932	14 / 355
40010M3/0440800	4	3/0	4	1.674 / 42.52	2889 / 4299	225	5343 / 2423	15.1 / 383
40010M4/0440800	4	4/0	4	1.869 / 47.48	3663 / 5451	230	6771 / 3071	16.8 / 427

*Ampacity value based on Canadian Electrical Code, Version 2018, Table-2. Ampacity of 4 conductors cable is based on 3 current-carrying conductors and 1 neutral.

CSA LSZH ACIC Armoured Control, Multi-Conductor, 1000 V

LSZH AIA Control cables are suitable for use in ventilated, non-ventilated and ladder type cable trays, direct burial, raceways and for exposed or concealed wiring in wet, damp or dry locations in -40°C (-40°F) environments. Applicable for use in Utilities, Industrial and Commercial applications.

Standards:



- 1 – Grounding/Bonding Conductor
- 2 – Stranded Bare (ASTM B8) Annealed Copper Conductors
- 3 – XLPE (RW90 Rated) Insulated Conductors
- 4 – Polypropylene Fillers
- 5 – Polyester Separator Tape
- 6 – LSZH Inner Protective Jacket
- 7 – Aluminum Interlocked Armour (AIA)
- 8 – LSZH Outer Protective Jacket

Product Construction

Insulation:

- XLPE (RW90 rated) rated: 90°C wet/dry

Shielding (foil-free edge):

- OS (optional)

Jacket:

- LSZH inner/outer black jacket rated: 90°C

Armour:

- Aluminum Interlocked Armour (AIA) (standard)
- Steel Interlocked Armour (SIA) (optional)
- Serve Wire Armour (SWA) (optional)

Available in:

- Custom insulation/jacket colours
- Composite constructions

Certification/Compliances

- CSA C22.2 NO. 239, Control & Instrumentation Cables (Type ACIC)
- CSA C22.2 NO. 38, Thermoset Insulated Wires & Cables (XLPE)
- CSA FT4,- ST1 Halogen Free & UL 1685 FT4, Vertical Tray Flame Test rated
- IEEE 383 & 1202 (70,000 BTU/hr), Vertical Flame Test rated
- ICEA T-30-520 (70,000 BTU/hr), Vertical Flame Test rated
- XLPE (RW90 rated), 90°C wet/dry
- UV sunlight resistant "SUN RES" (all colours)
- Direct burial rated
- -40°C cold bend rated
- -25°C cold impact rated

- Rated for use in hazardous locations:

- Class 1 Zone 0 (Intrinsically Safe cables only)
- Class 1 Zone 1 (Div 1)
- Class 1 Zone 2 (Div 2)

Colour Coding

- 2C – Black & white
- 3C – Black, red & blue
- 4C – Black, red, blue & white
- 5C-50C – Black # coded

1000 V

Voltage (Optional: 600 V)

CSA Type ACIC

Control

CSA LSZH ACIC Armoured Control, Multi-Conductor, 1000 V

PART NUMBER	NUMBER OF CONDUCTORS	CONDUCTOR SIZE <i>(AWG/kcmil)</i>	GROUND WIRE SIZE <i>(AWG/kcmil)</i>	OD OVER INNER JACKET <i>(in/mm)</i>	NORMAL DIAMETERS		CABLE WEIGHT <i>(lbs/1000ft) (kg/km)</i>	AMPACITY <i>(30°C ambient)</i>	MAX PULLING TENSION (PULLING EYE) <i>(lb/kg)</i>	MIN BEND RADIUS (PULL) <i>(in/mm)</i>
					OVER ARMOUR <i>(in/mm)</i>	OVERALL CABLE <i>(in/mm)</i>				
60210M160200814	2	16	16	0.406 / 10.31	0.646 / 16.41	0.758 / 19.25	238 / 354	10	41 / 19	13.6 / 347
60210M160300814	3	16	16	0.44 / 11.19	0.68 / 17.28	0.792 / 20.13	265 / 395	10	62 / 28	14.3 / 362
60210M160400814	4	16	16	0.478 / 12.14	0.718 / 18.24	0.83 / 21.08	295 / 438	8	82 / 37	14.9 / 379
60210M160500814	5	16	16	0.511 / 12.98	0.751 / 19.08	0.863 / 21.93	323 / 480	8	103 / 47	15.5 / 395
60210M160600814	6	16	16	0.586 / 14.88	0.826 / 20.98	0.938 / 23.83	381 / 568	8	124 / 56	16.9 / 429
60210M160700814	7	16	16	0.631 / 16.03	0.871 / 22.12	0.983 / 24.96	417 / 621	7	144 / 65	17.7 / 449
60210M160800814	8	16	16	0.677 / 17.21	0.917 / 23.3	1.029 / 26.15	454 / 675	7	165 / 75	18.5 / 471
60210M161000814	10	16	16	0.736 / 18.69	0.976 / 24.79	1.088 / 27.64	502 / 747	7	206 / 93	19.6 / 497
60210M161200814	12	16	16	0.759 / 19.27	0.998 / 25.36	1.11 / 28.2	539 / 803	7	247 / 112	20 / 508
60210M161500814	15	16	16	0.819 / 20.79	1.058 / 26.88	1.17 / 29.73	652 / 970	7	309 / 140	21.1 / 535
60210M162000814	20	16	16	0.971 / 24.66	1.211 / 30.75	1.323 / 33.6	831 / 1237	7	412 / 187	23.8 / 605
60210M162500814	25	16	16	1.076 / 27.33	1.316 / 33.43	1.428 / 36.27	960 / 1428	6	515 / 234	25.7 / 653
60210M163000814	30	16	16	1.138 / 28.89	1.378 / 34.99	1.49 / 37.84	1056 / 1572	6	618 / 280	26.8 / 681
60210M164000814	40	16	16	1.271 / 32.28	1.511 / 38.37	1.623 / 41.22	1273 / 1894	6	824 / 374	29.2 / 742
60210M165000814	50	16	16	1.412 / 35.86	1.652 / 41.97	1.784 / 45.32	1522 / 2265	5	1030 / 467	32.1 / 816
60210M140200814	2	14	14	0.432 / 10.97	0.672 / 17.07	0.784 / 19.91	263 / 391	25	66 / 30	14.1 / 358
60210M140300814	3	14	14	0.47 / 11.93	0.71 / 18.02	0.822 / 20.87	296 / 440	25	99 / 45	14.8 / 376
60210M140400814	4	14	14	0.51 / 12.96	0.75 / 19.05	0.862 / 21.9	331 / 492	20	132 / 60	15.5 / 394
60210M140500814	5	14	14	0.576 / 14.63	0.816 / 20.73	0.928 / 23.58	392 / 583	20	165 / 75	16.7 / 424
60210M140600814	6	14	14	0.625 / 15.88	0.865 / 21.97	0.977 / 24.82	434 / 645	20	197 / 90	17.6 / 447
60210M140700814	7	14	14	0.674 / 17.12	0.914 / 23.21	1.026 / 26.05	476 / 708	17.5	230 / 104	18.5 / 469
60210M140800814	8	14	14	0.724 / 18.4	0.964 / 24.49	1.076 / 27.34	520 / 775	17.5	263 / 119	19.4 / 492
60210M141000814	10	14	14	0.788 / 20.02	1.028 / 26.11	1.14 / 28.96	625 / 930	17.5	329 / 149	20.5 / 521
60210M141200814	12	14	14	0.813 / 20.64	1.052 / 26.73	1.164 / 29.58	673 / 1002	17.5	395 / 179	21 / 532
60210M141500814	15	14	14	0.918 / 23.31	1.158 / 29.41	1.27 / 32.26	812 / 1209	17.5	494 / 224	22.9 / 581
60210M142000814	20	14	14	1.04 / 26.41	1.28 / 32.51	1.392 / 35.35	974 / 1449	17.5	658 / 298	25.1 / 636
60210M142500814	25	14	14	1.154 / 29.31	1.394 / 35.41	1.506 / 38.25	1135 / 1689	15	823 / 373	27.1 / 689
60210M143000814	30	14	14	1.221 / 31.01	1.461 / 37.1	1.573 / 39.95	1257 / 1871	15	987 / 448	28.3 / 719
60210M144000814	40	14	14	1.366 / 34.69	1.606 / 40.79	1.738 / 44.14	1572 / 2339	15	1316 / 597	31.3 / 794
60210M145000814	50	14	14	1.519 / 38.59	1.759 / 44.69	1.891 / 48.04	1843 / 2742	12.5	1645 / 746	34 / 865

*Ampacity value based on Canadian Electrical Code, Version 2018, Table-2. Values are corrected according to Table-5C for number of Conductors.

CSA LSZH ACIC Armoured Control, Multi-Conductor, 1000 V

PART NUMBER	NUMBER OF CONDUCTORS	CONDUCTOR SIZE <i>(AWG/kcmil)</i>	GROUND WIRE SIZE <i>(AWG/kcmil)</i>	OD OVER INNER JACKET <i>(in/mm)</i>	NORMAL DIAMETERS		CABLE WEIGHT <i>(lbs/1000ft) (kg/km)</i>	AMPACITY <i>(30°C ambient)</i>	MAX PULLING TENSION (PULLING EYE) <i>(lb/kg)</i>	MIN BEND RADIUS (PULL) <i>(in/mm)</i>
					OVER ARMOUR <i>(in/mm)</i>	OVERALL CABLE <i>(in/mm)</i>				
60210M120200814	2	12	14	0.468 / 11.89	0.708 / 17.98	0.82 / 20.83	293 / 436	30	104 / 47	14.8 / 375
60210M120300814	3	12	14	0.51 / 12.95	0.75 / 19.04	0.862 / 21.88	337 / 502	30	157 / 71	15.5 / 394
60210M120400814	4	12	14	0.585 / 14.86	0.825 / 20.95	0.937 / 23.8	409 / 609	24	209 / 95	16.9 / 428
60210M120500814	5	12	14	0.625 / 15.87	0.865 / 21.96	0.98 / 24.8	455 / 677	24	261 / 118	17.6 / 446
60210M120600814	6	12	14	0.679 / 17.25	0.919 / 23.34	1.031 / 26.19	508 / 757	24	313 / 142	18.6 / 471
60210M120700814	7	12	14	0.733 / 18.63	0.973 / 24.73	1.085 / 27.57	563 / 837	21	365 / 166	19.5 / 496
60210M120800814	8	12	14	0.789 / 20.05	1.029 / 26.14	1.141 / 28.99	664 / 988	21	418 / 189	20.5 / 522
60210M121000814	10	12	14	0.9 / 22.86	1.14 / 28.96	1.252 / 31.8	797 / 1186	21	522 / 237	22.5 / 572
60210M121200814	12	12	14	0.927 / 23.55	1.167 / 29.65	1.279 / 32.49	865 / 1287	21	626 / 284	23 / 585
60210M121500814	15	12	14	1 / 25.39	1.24 / 31.49	1.352 / 34.34	987 / 1469	21	783 / 355	24.3 / 618
60210M122000814	20	12	14	1.135 / 28.84	1.375 / 34.94	1.487 / 37.78	1197 / 1782	21	1044 / 474	26.8 / 680
60210M122500814	25	12	14	1.262 / 32.05	1.502 / 38.15	1.614 / 41	1408 / 2096	18	1305 / 592	29.1 / 738
60210M123000814	30	12	14	1.336 / 33.94	1.576 / 40.03	1.708 / 43.38	1616 / 2405	18	1566 / 710	30.7 / 781
60210M124000814	40	12	14	1.497 / 38.03	1.737 / 44.13	1.869 / 47.48	1989 / 2960	18	2088 / 947	33.7 / 855
60210M125000814	50	12	14	1.667 / 42.35	1.972 / 50.1	2.105 / 53.45	2448 / 3644	15	2610 / 1184	37.9 / 962
60210M100200814	2	10	12	0.518 / 13.16	0.758 / 19.25	0.87 / 22.1	346 / 515	40	166 / 75	15.7 / 398
60210M100300814	3	10	12	0.595 / 15.12	0.836 / 21.23	0.948 / 24.07	432 / 643	40	249 / 113	17.1 / 433
60210M100400814	4	10	12	0.647 / 16.43	0.887 / 22.53	0.999 / 25.37	495 / 736	32	332 / 151	18 / 457
60210M100500814	5	10	12	0.692 / 17.58	0.932 / 23.67	1.044 / 26.52	558 / 830	32	415 / 188	18.8 / 477
60210M100600814	6	10	12	0.754 / 19.15	0.994 / 25.25	1.106 / 28.09	629 / 936	32	498 / 226	19.9 / 506
60210M100700814	7	10	12	0.816 / 20.72	1.056 / 26.82	1.168 / 29.67	746 / 1111	28	581 / 264	21 / 534
60210M100800814	8	10	12	0.92 / 23.36	1.16 / 29.45	1.271 / 32.3	875 / 1303	28	664 / 301	22.9 / 581
60210M101000814	10	10	12	1 / 25.4	1.24 / 31.5	1.352 / 34.34	991 / 1475	28	830 / 376	24.3 / 618
60210M101200814	12	10	12	1.031 / 26.18	1.271 / 32.28	1.383 / 35.12	1088 / 1619	28	996 / 452	24.9 / 632
60210M101500814	15	10	12	1.113 / 28.28	1.353 / 34.37	1.465 / 37.22	1256 / 1869	28	1245 / 565	26.4 / 670
60210M102000814	20	10	12	1.268 / 32.2	1.508 / 38.3	1.62 / 41.15	1543 / 2297	28	1660 / 753	29.2 / 741
60210M102500814	25	10	12	1.412 / 35.86	1.652 / 41.96	1.784 / 45.31	1871 / 2784	24	2075 / 941	32.1 / 816
60210M103000814	30	10	12	1.496 / 38.01	1.737 / 44.11	1.868 / 47.46	2114 / 3146	24	2490 / 1129	33.6 / 854
60210M104000814	40	10	12	1.68 / 42.67	1.985 / 50.42	2.117 / 53.77	2730 / 4063	24	3320 / 1506	38.1 / 968
60210M105000814	50	10	12	1.933 / 49.11	2.239 / 56.86	2.371 / 60.22	3396 / 5053	20	4150 / 1882	42.7 / 1084

*Ampacity value based on Canadian Electrical Code, Version 2018, Table-2. Values are corrected according to Table-5C for number of Conductors.

BUILDING WIRE

SINGLE CONDUCTOR POWER DISTRIBUTION CABLE

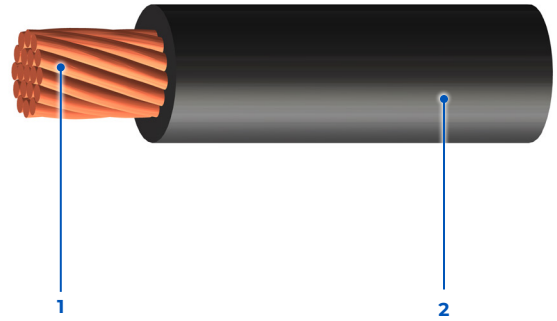
Providing various single conductor cables used for industrial, commercial, and residential buildings and installations for the purpose of power distribution.

BUILDING WIRE 95-101

- CSA RW90, Single Conductor, 600V.....96
- CSA RW90, Single Conductor, 1000V 98
- CSA RWU90, Single Conductor, 1000V100

CSA RW90, Single Conductor, 600 V

For use in open wiring and raceways (with the exception of cable troughs and ventilated flexible cableways) in dry or wet locations. For open wiring exposed to the weather. Maximum conductor temperature 90°C.



1 – Strand Bare (ASTM B8) Annealed Copper Conductors

2 – XLPE (RW90 Rated) Insulated Conductor

Standards:



Product Construction

Insulation:

- XLPE (RW90 rated) rated: 90°C wet/dry

Available in:

- All colours

Certification/Compliances

- CSA C22.2 #38, Thermoset Insulated Wires & Cables (XLPE)
- - 40°C cold bend/impact rated

600 V

Voltage

Optional:
1000/2000 V

CSA Type RW90

Power

Colour Coding

- Black conductor (standard)

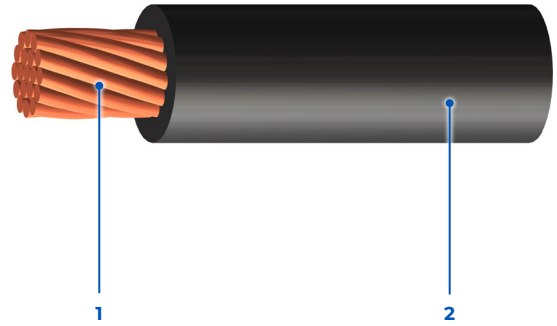
CSA RW90, Single Conductor, 600 V

PART NUMBER	NUMBER OF CONDUCTORS	CONDUCTOR SIZE	INSULATION THICKNESS	NOMINAL DIAMETER OVERALL CABLE	CABLE WEIGHT	AMPACITY	MAX. PULLING TENSION (PULLING EYE)	MIN. BEND RADIUS (PULL)
		AWG/kcmil	in/mm	in/mm				
19010M12010BN00	1	12	0.03 / 0.76	0.151 / 3.84	25 / 37	40	52 / 24	1.4 / 35
19010M10010BN00	1	10	0.03 / 0.76	0.176 / 4.47	37 / 56	55	83 / 38	1.6 / 40
19010M08010BN00	1	8	0.045 / 1.14	0.235 / 5.97	63 / 94	80	132 / 60	2.1 / 54
19010M06010BN00	1	6	0.045 / 1.14	0.272 / 6.91	96 / 142	105	210 / 95	2.4 / 62
19010M04010BN00	1	4	0.045 / 1.14	0.319 / 8.1	147 / 219	140	334 / 151	2.9 / 73
19010M03010BN00	1	3	0.045 / 1.14	0.346 / 8.79	183 / 272	165	421 / 191	3.1 / 79
19010M02010BN00	1	2	0.045 / 1.14	0.377 / 9.58	228 / 339	190	531 / 241	3.4 / 86
19010M01014BN00	1	1	0.055 / 1.4	0.436 / 11.07	289 / 430	220	670 / 304	3.9 / 100
19010M1/014BN00	1	1/0	0.055 / 1.4	0.476 / 12.09	360 / 536	260	845 / 383	4.3 / 109
19010M2/014BN00	1	2/0	0.055 / 1.4	0.519 / 13.18	449 / 669	300	1065 / 483	4.7 / 119
19010M3/014BN00	1	3/0	0.055 / 1.4	0.57 / 14.48	562 / 836	350	1336 / 606	5.1 / 130
19010M4/014BN00	1	4/0	0.055 / 1.4	0.626 / 15.9	703 / 1046	405	1693 / 768	5.6 / 143
19010M25016BN00	1	250	0.065 / 1.65	0.692 / 17.58	824 / 1227	455	2000 / 907	6.2 / 158
19010M35016BN00	1	350	0.065 / 1.65	0.795 / 20.19	1142 / 1700	570	2800 / 1270	7.2 / 182
19010M50016BN00	1	500	0.065 / 1.65	0.923 / 23.44	1616 / 2405	700	4000 / 1814	8.3 / 211
19010M75016BN00	1	750	0.08 / 2.03	1.132 / 28.75	2424 / 3608	885	6000 / 2722	10.2 / 259
19010MA0016BN00	1	1000	0.08 / 2.03	1.281 / 32.54	3197 / 4758	1055	8000 / 3629	11.5 / 293

*Ampacity value based on Canadian Electrical Code, Version 2018, Table-2.

CSA RW90, Single Conductor, 1000 V

For use in open wiring and raceways (with the exception of cable troughs and ventilated flexible cableways) in dry or wet locations. For open wiring exposed to the weather. Maximum conductor temperature 90°C.



1 – Strand Bare (ASTM B8) Annealed Copper Conductors

2 – XLPE (RW90 Rated) Insulated Conductor

Standards:



Product Construction

Insulation:

- XLPE (RW90 rated) rated: 90°C wet/dry

Available in:

- All colours

Certification/Compliances

- CSA C22.2 #38, Thermoset Insulated Wires & Cables (XLPE)
- - 40°C cold bend/impact rated
- Direct burial rated
- UV sunlight resistant "SUN RES" (black only)

1000 V

Voltage

Optional 600/2000 V

CSA Type RW90

Power

Colour Coding

- Black conductor (standard)

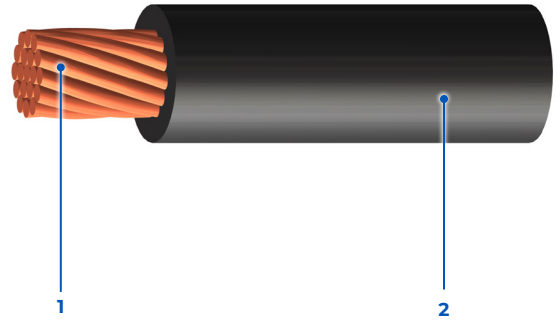
CSA RW90, Single Conductor, 1000 V

PART NUMBER	NUMBER OF CONDUCTORS	CONDUCTOR SIZE	INSULATION THICKNESS	NOMINAL DIAMETER OVERALL CABLE	CABLE WEIGHT	AMPACITY	MAX. PULLING TENSION (PULLING EYE)	MIN. BEND RADIUS (PULL)
		AWG/kcmil	in/mm	in/mm	lbs/1000ft kg/km	30°C ambient	lb/kg	in/mm
10010M08010BN00	1	8	0.06 / 1.52	0.265 / 6.73	68 / 101	80	132 / 60	2.4 / 61
10010M06010BN00	1	6	0.06 / 1.52	0.302 / 7.67	101 / 150	105	210 / 95	2.7 / 69
10010M04010BN00	1	4	0.06 / 1.52	0.349 / 8.86	153 / 228	140	334 / 151	3.1 / 80
10010M03010BN00	1	3	0.06 / 1.52	0.376 / 9.55	190 / 282	165	421 / 191	3.4 / 86
10010M02010BN00	1	2	0.06 / 1.52	0.407 / 10.34	235 / 350	190	531 / 241	3.7 / 93
10010M01014BN00	1	1	0.08 / 2.03	0.486 / 12.34	303 / 451	220	670 / 304	4.4 / 111
10010M1/014BN00	1	1/0	0.08 / 2.03	0.526 / 13.36	376 / 559	260	845 / 383	4.7 / 120
10010M2/014BN00	1	2/0	0.08 / 2.03	0.569 / 14.45	467 / 694	300	1065 / 483	5.1 / 130
10010M3/014BN00	1	3/0	0.08 / 2.03	0.62 / 15.75	580 / 864	350	1336 / 606	5.6 / 142
10010M4/014BN00	1	4/0	0.08 / 2.03	0.676 / 17.17	723 / 1076	405	1693 / 768	6.1 / 155
10010M25016BN00	1	250	0.09 / 2.29	0.742 / 18.85	847 / 1260	455	2000 / 907	6.7 / 170
10010M35016BN00	1	350	0.09 / 2.29	0.845 / 21.46	1168 / 1738	570	2800 / 1270	7.6 / 193
10010M50016BN00	1	500	0.09 / 2.29	0.973 / 24.71	1646 / 2449	700	4000 / 1814	8.8 / 222
10010M75016BN00	1	750	0.09 / 2.29	1.152 / 29.26	2439 / 3629	885	6000 / 2722	10.4 / 263
10010MA0016BN00	1	1000	0.09 / 2.29	1.301 / 33.05	3214 / 4782	1055	8000 / 3629	11.7 / 297

*Ampacity value based on Canadian Electrical Code, Version 2018, Table-1.

CSA RWU90, Single Conductor, 1000 V

For use in open wiring and raceways (with the exception of cable troughs and ventilated flexible cableways) in dry or wet locations. For open wiring exposed to the weather. Maximum conductor temperature 90°C.



1 – Strand Bare (ASTM B8) Annealed Copper Conductors

2 – XLPE (RW90 Rated) Insulated Conductor

Standards:



Product Construction

Insulation:

- XLPE (RW90 rated) rated: 90°C wet/dry

Available in:

- All colours

Certification/Compliances

- CSA C22.2 #38, Thermoset Insulated Wires & Cables (XLPE)
- - 40°C cold bend/impact rated
- Direct burial rated
- UV sunlight resistant "SUN RES" (black only)

1000 V

Voltage

CSA Type RWU90

Power

Colour Coding

- Black conductor (standard)

CSA RWU90, Single Conductor, 1000 V

PART NUMBER	NUMBER OF CONDUCTORS	CONDUCTOR SIZE	INSULATION THICKNESS	NOMINAL DIAMETER OVERALL CABLE	CABLE WEIGHT	AMPACITY	MAX. PULLING TENSION (PULLING EYE)	MIN. BEND RADIUS (PULL)
		AWG/kcmil	in/mm	in/mm			30°C ambient	lb/kg
11010M08010BN00	1	8	0.08 / 2.03	0.305 / 7.75	75 / 111	80	132 / 60	2.7 / 70
11010M06010BN00	1	6	0.08 / 2.03	0.342 / 8.69	109 / 162	105	210 / 95	3.1 / 78
11010M04010BN00	1	4	0.08 / 2.03	0.389 / 9.88	163 / 242	140	334 / 151	3.5 / 89
11010M03010BN00	1	3	0.08 / 2.03	0.416 / 10.57	200 / 297	165	421 / 191	3.7 / 95
11010M02010BN00	1	2	0.08 / 2.03	0.447 / 11.35	246 / 366	190	531 / 241	4 / 102
11010M01014BN00	1	1	0.095 / 2.41	0.516 / 13.11	312 / 465	220	670 / 304	4.6 / 118
11010M1/014BN00	1	1/0	0.095 / 2.41	0.556 / 14.12	386 / 575	260	845 / 383	5 / 127
11010M2/014BN00	1	2/0	0.095 / 2.41	0.599 / 15.21	477 / 711	300	1065 / 483	5.4 / 137
11010M3/014BN00	1	3/0	0.095 / 2.41	0.65 / 16.51	592 / 882	350	1336 / 606	5.9 / 149
11010M4/014BN00	1	4/0	0.095 / 2.41	0.706 / 17.93	736 / 1095	405	1693 / 768	6.4 / 161
11010M25016BN00	1	250	0.11 / 2.79	0.782 / 19.86	866 / 1289	455	2000 / 907	7 / 179
11010M35016BN00	1	350	0.11 / 2.79	0.885 / 22.48	1190 / 1770	570	2800 / 1270	8 / 202
11010M50016BN00	1	500	0.11 / 2.79	1.013 / 25.73	1671 / 2486	700	4000 / 1814	9.1 / 232
11010MA0016BN00	1	1000	0.125 / 3.18	1.371 / 34.82	3272 / 4870	1055	8000 / 3629	12.3 / 313

*Ampacity value based on Canadian Electrical Code, Version 2018, Table-2.

VFD CABLES

THE PREFERRED CABLE DESIGN FOR AC DRIVES, REDUCING HARMONIC INTERFERENCE AND ENSURING RELIABLE AND SAFE OPERATION

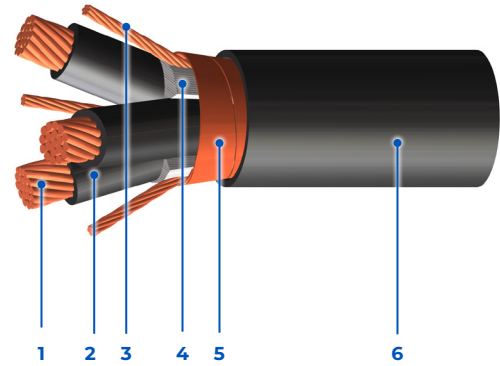
We understand that reducing the wear and tear and maintenance of motors and mechanical components is important to our customers. Shawflex provides VFD cables in a variety of voltages that increases the efficiency of power transfer from the motor to the drive and protects vital components. Our design provides the combination of a dual copper tape shielded cable, with/ without interlock armour and a three balanced ground system. These features reduce electromagnetic interference (EMI), common mode or ground current, and reflected waves, and makes a reliable and stable connection between the drive and motor reducing motor failures, maintenance, and adverse effects on adjacent equipment.

VFD CABLES.....	102-107
CSA Unarmoured Tray VFD, Multi-Conductor.....	103
CSA Armoured VFD, Multi-Conductor.....	105

CSA Unarmoured Tray VFD, Multi-Conductor, 1000 V

Shawflex VFD cables are the preferred power cables for AC Drives. These cables are primarily used between Pulse Width Modulation (PWM) inverters and AC motors. ShawFlex VFD Tray cables are suitable for use in raceways, including ventilated, non-ventilated, indoor/outdoor and ladder-type cable trays in wet/dry locations and are applicable in Industrial and Processing facilities.

Standards:



- 1 – Strand Bare (ASTM B8) Annealed Copper Conductors
- 2 – XLPE (RW90 Rated) Insulated Conductor
- 3 – Tri-sectional Grounding Conductors
- 4 – Polypropylene Fillers
- 5 – Dual Helically Applied Bare/Tin-coated Copper Tape Shield
- 6 – FR PVC Outer Protective Jacket

Product Construction

Insulation:

- XLPE (RW90 rated) rated: 90°C wet/105°C dry

Shielding:

- Dual helically applied copper tape shield

Jacket:

- FR PVC outer black or yellow jacket (standard) rated: 90°C to -40°C

Available in:

- Custom insulation/jacket colours
- LSZH Jacket

Certification/Compliances

- CSA C22.2 #230, Tray Cable
- C22.2 #239, Instrumentation, (CIC)
- CSA C22.2 #38, Thermoset Insulated Wires & Cables (XLPE)
- CSA FT4, UL 1685 FT4, Vertical Tray Flame Test rated
- IEEE 383 & 1202 (70,000 BTU/hr), Vertical Flame Test rated
- ICEA T-30-520 (70,000 BTU/hr), Vertical Flame Test rated
- UV sunlight resistant "SUN RES" (all colours)
- Direct burial rated
- - 40°C cold bend/impact rated
- Rated for use in hazardous locations:
 - Class I Zone 0 (Intrinsically Safe cables only)
 - Class I Zone 2 (Div 2)

1000 V

Voltage

Optional: 600/2000 V

Colour Coding

- 3C – Black, # coded

CSA Type TC

VFD Power

CSA Unarmoured Tray VFD, Multi-Conductor, 1000 V

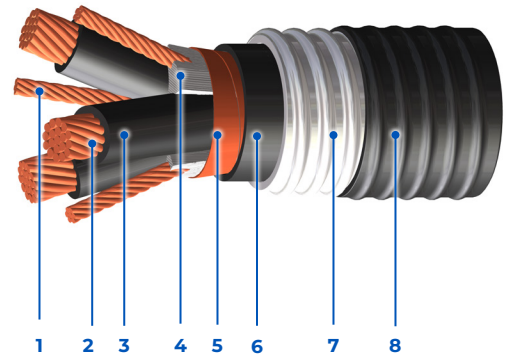
PART NUMBER	NUMBER OF CONDUCTORS	CONDUCTOR SIZE	GROUND WIRE SIZE	NOMINAL DIAMETER OVERALL CABLE	CABLE WEIGHT	AMPACITY	MAX. PULLING TENSION (PULLING EYE)	MIN. BEND RADIUS (PULL)
		AWG/kcmil	AWG/kcmil	in/mm			30°C ambient	lb/kg
4D01HM1203000DR	3	12	18	0.503 / 12.78	178 / 266	30	157 / 71	9.1 / 230
4D01HM1003000DR	3	10	16	0.595 / 15.11	276/410	40	249 / 113	10.7 / 272
4D01HM0803000DR	3	8	14	0.657 / 16.69	377/561	55	397 / 180	11.8 / 300
4D013M0603000DR	3	6	12	0.801 / 20.35	561/834	75	629 / 285	14.4 / 366
4D013M0403000DR	3	4	12	0.942 / 23.94	788/1173	95	1002 / 454	17 / 431
4D013M0203000DR	3	2	10	1.067 / 27.1	1111/1653	130	1593 / 723	19.2 / 488
4D013M0103400DR	3	1	10	1.237 / 31.42	1394/2075	145	2009 / 911	22.3 / 566
4D013M1/03400DR	3	1/0	10	1.323 / 33.6	1643/2446	170	2534 / 1150	23.8 / 605
4D013M2/03400DR	3	2/0	10	1.415 / 35.95	1965/2925	195	3194 / 1449	25.5 / 647
4D013M3/03400DR	3	3/0	8	1.525 / 38.74	2409/3584	225	4007 / 1818	27.5 / 697
4D013M4/03400DR	3	4/0	8	1.645 / 41.79	2896/4310	260	5078 / 2304	29.6 / 752
4D013M2503600DR	3	250	8	1.847 / 46.92	3379/5028	290	6000 / 2722	33.3 / 845
4D013M3503600DR	3	350	6	2.069 / 52.55	4669/6949	350	8400 / 3810	37.2 / 946
4D013M5003600DR	3	500	6	2.344 / 59.54	6305/9383	430	12000 / 5443	42.2 / 1072
4D013M7503600DR	3	750	6	2.729 / 69.31	8638/12855	535	18000 / 8165	49.1 / 1248

*Ampacity value based on Canadian Electrical Code, Version 2018, Table-2.

CSA Armoured VFD, Multi-Conductor, 1000 V

Shawflex VFD cables are the preferred power cables for AC Drives. These cables are primarily used between Pulse Width Modulation (PWM) inverters and AC motors. Shawflex VFD Tray cables are suitable for use in raceways, including ventilated, non-ventilated, indoor/outdoor and ladder-type cable trays in wet/dry locations and are applicable in Industrial and Processing facilities.

Standards:



- | | |
|--|---|
| 1 – Tri-sectional Grounding Conductors | 5 – Dual Helically Applied Bare/Tin-coated Copper Tape Shield |
| 2 – Stranded Bare (ASTM B8) Annealed Copper Conductors | 6 – FR LAG PVC Inner Protective Jacket |
| 3 – XLPE (RW90 Rated) Insulated Conductors | 7 – Aluminum Interlocked Armour (AIA) (standard) |
| 4 – Polypropylene Fillers | 8 – FR LAG PVC Outer Protective Jacket |

Product Construction

Insulation:

- XLPE (RW90 rated) rated: 90°C wet/105°C dry

Shielding:

- Dual helically applied copper tape shield

Armour:

- Aluminum Interlocking Armour (AIA) (standard)
- Steel Interlocking Armour (SIA) (optional)

Jacket:

- FR LAG PVC (AG14 rated) inner black jacket
- FR LAG PVC (AG14 rated) outer black or yellow jacket (standard) rated: 90°C to -40°C

Available in:

- Custom insulation/jacket colours
- LSZH Jacket

Certification/Compliances

- CSA C22.2 #131, Teck 90 Cable
- CSA C22.2 NO. 174, Cables & Cable Glands for use in Hazardous Locations
- CSA C22.2 #38, Thermoset Insulated Wires & Cables (XLPE)
- CSA FT4, UL 1685 FT4, Vertical Tray Flame Test rated
- IEEE 383 & 1202 (70,000 BTU/hr), Vertical Flame Test rated
- ICEA T-30-520 (70,000 BTU/hr), Vertical Flame Test rated
- UV sunlight resistant "SUN RES" (all colours)
- Direct burial rated
- - 40°C cold bend/impact rated
- Rated for use in hazardous locations:
 - Class I Zone 0 (Intrinsically Safe cables only)
 - Class I Zone 1 (Div 1)
 - Class I Zone 2 (Div 2)

1000 V

Voltage

Optional: 600/5000 V

CSA Type TECK 90

VFD Power

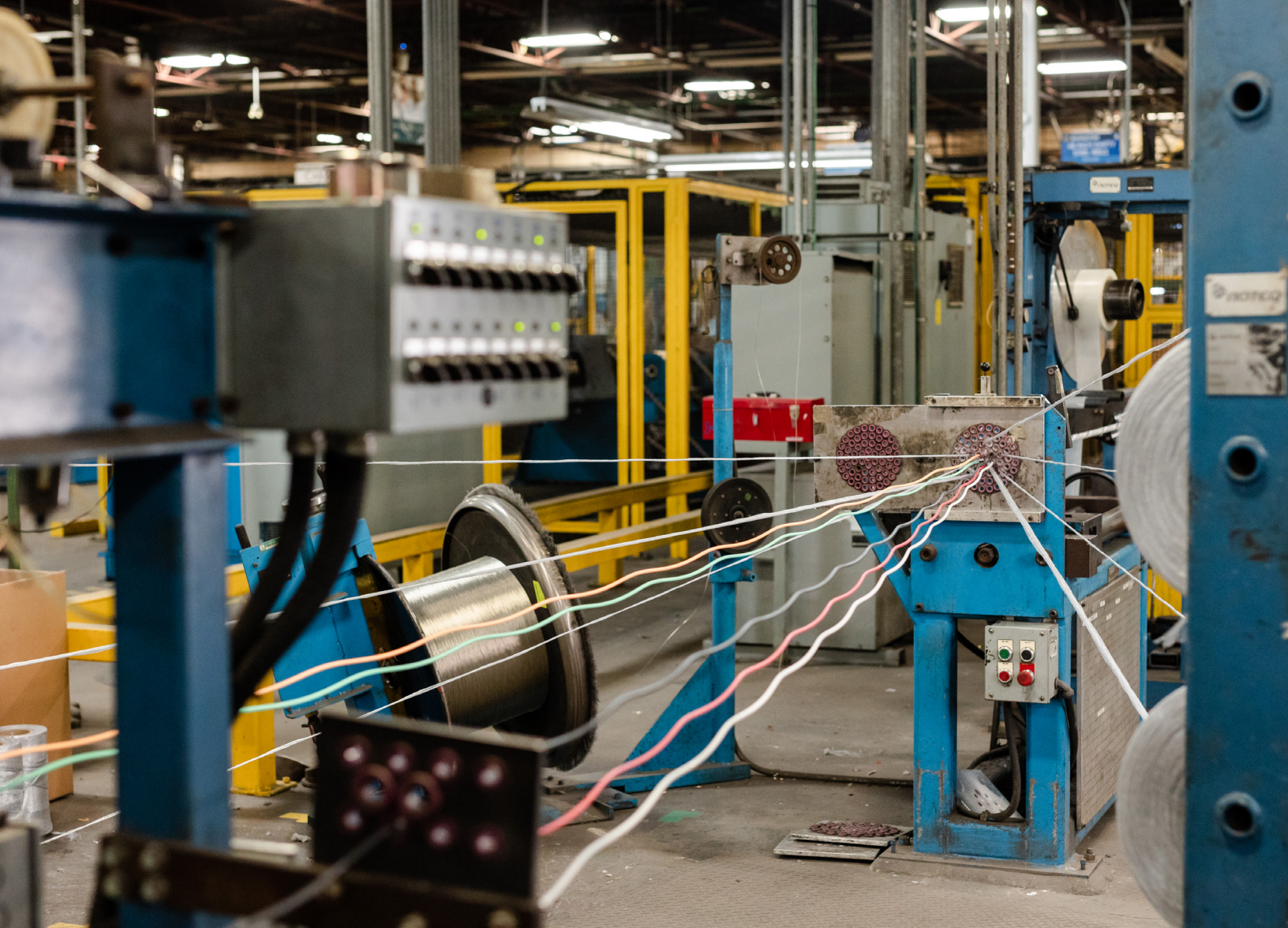
Colour Coding

- 3C – Black, # coded

CSA Armoured VFD, Multi-Conductor, 1000 V

PART NUMBER	NUMBER OF CONDUCTORS	CONDUCTOR SIZE	GROUND WIRE SIZE	OD OVER INNER JACKET	NORMAL DIAMETERS		CABLE WEIGHT	AMPACITY	MAX. PULLING TENSION (PULLING EYE)	MIN. BEND RADIUS (PULL)
					OVER ARMOUR	OVERALL CABLE				
		AWG/kcmil	AWG/kcmil	in/mm	in/mm	in/mm	lbs/1000ft kg/km	30°C ambient	lb/kg	in/mm
8021HM1203007DR	3	12	18	0.503 / 12.78	0.743 / 18.88	0.823 / 20.91	401 / 597	30	157 / 71	14.8 / 376
8021HM1003007DR	3	10	16	0.595 / 15.11	0.835 / 21.21	0.915 / 23.24	544 / 810	40	249 / 113	16.5 / 418
8021HM0803007DR	3	8	14	0.657 / 16.69	0.897 / 22.79	0.977 / 24.82	687 / 1022	55	397 / 180	17.6 / 447
80213M0603007DR	3	6	12	0.801 / 20.35	1.041 / 26.45	1.121 / 28.48	1047 / 1559	75	629 / 285	20.2 / 513
80213M0403007DR	3	4	12	0.942 / 23.94	1.182 / 30.03	1.262 / 32.06	1357 / 2020	95	1002 / 454	22.7 / 577
80213M0203007DR	3	2	10	1.067 / 27.1	1.307 / 33.2	1.387 / 35.23	1809 / 2692	130	1593 / 723	25 / 634
80213M0103407DR	3	1	10	1.237 / 31.42	1.477 / 37.51	1.557 / 39.55	2286 / 3402	145	2009 / 911	28 / 712
80213M1/03407DR	3	1/0	10	1.323 / 33.6	1.563 / 39.7	1.659 / 42.14	2671 / 3975	170	2534 / 1150	29.9 / 758
80213M2/03407DR	3	2/0	10	1.415 / 35.95	1.655 / 42.05	1.751 / 44.48	3104 / 4620	195	3194 / 1449	31.5 / 801
80213M3/03407DR	3	3/0	8	1.525 / 38.74	1.83 / 46.48	1.926 / 48.92	3809 / 5669	225	4007 / 1818	34.7 / 881
80213M4/03407DR	3	4/0	8	1.645 / 41.79	1.95 / 49.54	2.046 / 51.98	4492 / 6685	260	5078 / 2304	36.8 / 936
80213M2503607DR	3	250	8	1.847 / 46.92	2.152 / 54.67	2.248 / 57.11	5328 / 7930	290	6000 / 2722	40.5 / 1028
80213M3503607DR	3	350	6	2.069 / 52.55	2.374 / 60.29	2.494 / 63.34	7008 / 10430	350	8400 / 3810	44.9 / 1140
80213M5003607DR	3	500	6	2.344 / 59.54	2.649 / 67.28	2.769 / 70.33	9214 / 13713	430	12000 / 5443	49.8 / 1266
80213M7503607DR	3	750	6	2.729 / 69.31	3.034 / 77.06	3.168 / 80.46	12906 / 19206	535	18000 / 8165	57 / 1448

*Ampacity value based on Canadian Electrical Code, Version 2018, Table-2.



PRODUCT WHEN YOU NEED IT, HOW YOU NEED IT

Trusted manufacturer of engineered wire, cable and assemblies products.

**To know more about our product and service capabilities,
contact our team of experts today!**

Head Office

25 Bethridge Rd.
Toronto, ON M9W 1M7, Canada

Tel: +1-416-743-7111

Email: info@shawflex.com

www.shawflex.com

 **SHAWFLEX**