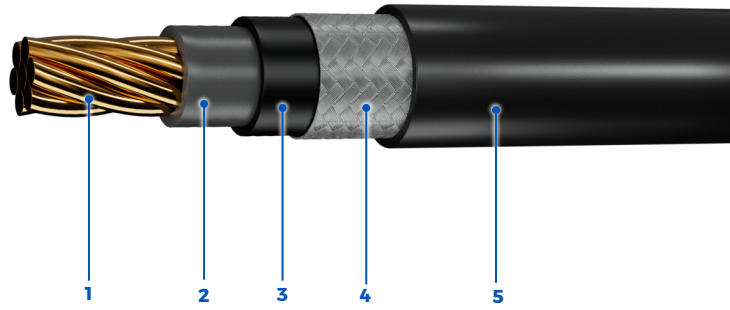


# SL-HFA 600/1000 V Armoured Single Conductor (LSZH), HF90/SHF1

SL-HFA 600/1000 V armoured single core cables are suitable for use in offshore oil and gas, shipboard and marine applications. Our cables are made to IEC specifications and can be modified to fit your specific requirements.



- 1 - Stranded Bare or Tinned Class 2 or Class 5 Copper Conductors
- 2 - Halogen Free HF90 Insulated Conductors
- 3 - Extruded LSZH Inner Covering
- 4 - Tinned-Copper or Bronze Braided Armour
- 5 - Protective LSZH Outer Sheath

## Standards:



## Operating Temperature

-40°C to +90°C

## Product Construction

### Conductor:

- Stranded bare or tinned copper class 5 (standard) or class 2 (optional)

### Insulation:

- Halogen Free HF90 Rated: +90°C Wet/Dry, IEC 60092-360

### Armour:

- Tinned-Copper Braid (Standard)
- Bronze Braid (optional)

### Jacket:

- FR LSZH Thermoplastic, IEC 60092-360 (SHF1)

### Available in:

- Custom insulation/ jacket colours

## Certification/Compliances

### Construction & Materials:

- IEC 60092-353
- IEC 60092-350
- IEC 60092-360 (Insulation & Sheath)
- IEC 60228 (Conductor)

### Performance:

- IEC 60332-1-2 (Flame Retardancy)
- IEC 60754-1 & 2, IEC 60684-2 (Halogen Free)
- IEC 61034-1 & 2 (Low Smoke Emission)
- IEC 60811-403 (Ozone Resistance)
- Cold Bend & Impact (-40°C/-35°C)

### Approvals:

- American Bureau of Shipping (ABS)
- Lloyd's Register
- Transport Canada

## 600/1000 V

## Voltage

## Colour Coding

- Black conductor (standard)

## Power and Control

# SL-HFA 600/1000 V Armoured Single Conductor (LSZH), HF90/SHF1

NUMBER OF CONDUCTORS	X	SIZE OF CONDUCTORS	NOMINAL OD OVERALL CABLE	CABLE WEIGHT	AMPACITY	SHAWFLEX PART NUMBER
(c)		(mm <sup>2</sup> )	(in/mm)	(lbs/1000ft) / (kg/km)	(45°C ambient)	
1c	x	1	0.2 / 6.1	53.7 / 79.91	18	SLC10E0101F0800
1c	x	1.5	0.3 / 6.4	60.04 / 89.35	23	SLC10E3A01F0800
1c	x	2.5	0.3 / 6.8	70.52 / 104.95	30	SLC10E5A01F0800
1c	x	4	0.3 / 7.4	84.87 / 126.29	40	SLC10E0401F0800
1c	x	6	0.3 / 8.1	104.83 / 156	52	SLC10E0601F0800
1c	x	10	0.4 / 9.1	141.84 / 211.09	72	SLC10E1001F0800
1c	x	16	0.4 / 10.6	197.49 / 293.89	96	SLC10E1601F0800
1c	x	25	0.5 / 12.6	296.8 / 441.69	127	SLC10E2501F0800
1c	x	35	0.6 / 14.1	377.02 / 561.07	157	SLC10E3501F0800
1c	x	50	0.6 / 15.5	488.74 / 727.33	196	SLC10E5001F0800
1c	x	70	0.7 / 18.1	647.82 / 964.06	242	SLC10E7001F0800
1c	x	120	0.9 / 21.9	999.91 / 1488.04	339	SLC10E12001F0800

\*Ampacity value based on ABS Rules for Building and Classing Steel Vessels, Version 2023, Table-6. Values are corrected according to Table 6 for number of Conductors.

\*\*Available in both American Wire Gauge (AWG) and Metric wire conductor sizes