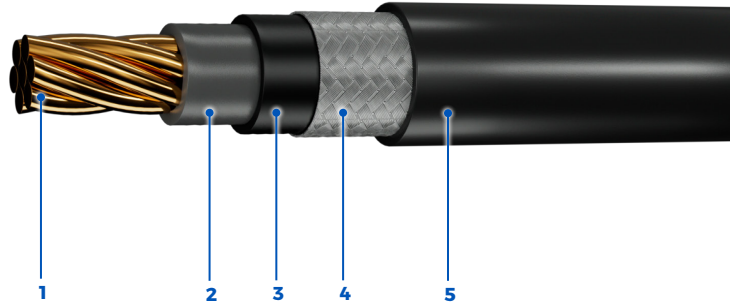


SE-XLA 600/1000 V Armoured Single Conductor (LSZH), XLPE/SHF1

SE-XLA 600/1000 V armoured single core cables are suitable for use in offshore oil and gas, shipboard and marine applications. Our cables are tested to IEC specifications and can be modified to fit your specific requirements.



- 1 - Stranded Bare or Tinned Class 2 or Class 5 Copper Conductors
- 2 - XLPE Insulated Conductors
- 3 - Extruded LSZH Inner Covering
- 4 - Tinned-Copper or Bronze Braided Armour
- 5 - Protective LSZH Outer Sheath

Standards:



Operating Temperature

-40°C to +90°C

Product Construction

Conductor:

- Stranded bare or tinned copper class 5 (standard) or class 2 (optional)

Insulation:

- XLPE Rated: +90°C Wet/Dry, IEC 60092-360

Armour:

- Tinned-Copper Braid (Standard)
- Bronze Braid (optional)

Jacket:

- FR LSZH Thermoplastic, IEC 60092-360 (SHF1)

Available in:

- Custom insulation/ jacket colours

Certification/Compliances

Construction & Materials:

- IEC 60092-353
- IEC 60092-350
- IEC 60092-360 (Insulation & Sheath)
- IEC 60228 (Conductor)

Performance:

- IEC 60332-1-2 (Flame Retardancy)
- IEC 60754-1 & 2, IEC 60684-2 (Halogen Free)
- IEC 61034-1 & 2 (Low Smoke Emission)
- Cold Bend & Impact (-40°C/-35°C)

Approvals:

- American Bureau of Shipping (ABS)
- Lloyd's Register
- Transport Canada

600/1000 V

Voltage

Colour Coding

- Black conductor (standard)

Power and Control

SE-XLA 600/1000 V Armoured Single Conductor (LSZH), XLPE/SHF1

NUMBER OF CONDUCTORS	X	SIZE OF CONDUCTORS	NOMINAL OD OVERALL CABLE	CABLE WEIGHT	AMPACITY	SHAWFLEX PART NUMBER
(c)		(mm ²)	(in/mm)	(lbs/1000ft) / (kg/km)	(45°C ambient)	
1c	x	1	0.2 / 6.1	53.7 / 79.91	18	SEC10E0101F0800
1c	x	1.5	0.3 / 6.4	60.04 / 89.35	23	SEC10E3A01F0800
1c	x	2.5	0.3 / 6.8	70.52 / 104.95	30	SEC10E5A01F0800
1c	x	4	0.3 / 7.4	84.87 / 126.29	40	SEC10E0401F0800
1c	x	6	0.3 / 8.1	104.83 / 156	52	SEC10E0601F0800
1c	x	10	0.4 / 9.1	141.84 / 211.09	72	SEC10E1001F0800
1c	x	16	0.4 / 10.6	197.49 / 293.89	96	SEC10E1601F0800
1c	x	25	0.5 / 12.6	296.8 / 441.69	127	SEC10E2501F0800
1c	x	35	0.6 / 14.1	377.02 / 561.07	157	SEC10E3501F0800
1c	x	50	0.6 / 15.5	488.74 / 727.33	196	SEC10E5001F0800
1c	x	70	0.7 / 18.1	647.82 / 964.06	242	SEC10E7001F0800
1c	x	120	0.9 / 21.9	999.91 / 1488.04	339	SEC10E12001F0800

*Ampacity value based on ABS Rules for Building and Classing Steel Vessels, Version 2023, Table-6. Values are corrected according to Table 6 for number of Conductors.

**Available in both American Wire Gauge (AWG) and Metric wire conductor sizes