

UL Type TC Tray, Instrumentation, 600 V

Tray Instrumentation cables can be used to minimize noise and signal interference by preventing crosstalk between pairs and triads. This cable can also be used to carry analog or digital signals. Tray Instrumentation cables can be installed in raceways, direct burial applications and in outdoor exposed industrial applications.

Standards:



TC-ER

Product Construction

Insulation:

- FR XLPE (XHHW-2 rated) rated: 90°C wet/dry
- VW-1 rated (optional)

Shielding (foil-free edge):

- ISOS (standard)
- OS (optional)

Jacket:

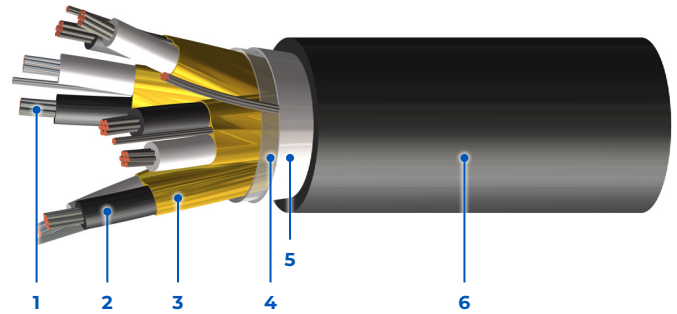
- FR PVC outer black jacket rated: 90°C to -40°C
- Thermoset CPE (optional)
- Thermoplastic CPE (optional)
- Thermoplastic LSZH (optional)

Available in:

- Custom insulation/jacket colors
- Composite constructions

Certification/Compliances

- UL 1277, Tray Cable (TC-ER)
- UL 44, Thermoset Insulated Wires and Cables
- UL 1685/FT4, Vertical Tray Flame Test rated (optional)
- IEEE 1202/383 (70,000 BTU/hr), Vertical Flame Test rated (optional)
- ICEA T-30-520 (70,000 BTU/hr), Vertical Flame Test rated
- XLPE (XHHW-2 rated), 90°C wet/dry
- UV sunlight resistant "SUN RES" (all colors)
- Direct burial rated
- -40°C cold bend rated
- Rated for use in hazardous locations:
 - Class I Zone 2 (Div 2)
 - Class II Zone 22 (Div 2)



- 1 – Stranded Bare Copper Conductors (Tin-coated available)
- 2 – FR XLPE (XHHW-2 rated) Insulated Conductors
- 3 – Individual Shield & Overall Shielded Pairs/Triads with Tin-coated Copper Drain Wire

- 4 – Polyester Separator Tape
- 5 – Overall Aluminum/Mylar Shield with Tin-coated Copper Drain Wire
- 6 – FR PVC Protective Jacket

600 V

Voltage

UL Type TC-ER

Instrumentation

Color Coding

- Pairs – Black, & white, with black printing on white (standard)
- Triads – Black, white & red, with black printing on white (standard)
- Method 4 (optional)

UL Type TC Tray, Instrumentation, 600 V

Pairs

PART NUMBER	NUMBER OF PAIRS	CONDUCTOR SIZE	NOMINAL DIAMETER OVERALL CABLE	CABLE WEIGHT	MAX PULLING TENSION (PULLING EYE)	MIN BEND RADIUS (PULL)
		<i>(AWG/kcmil)</i>	<i>(in/mm)</i>	<i>(lbs/1000ft) (kg/km)</i>	<i>(lb/kg)</i>	<i>(in/mm)</i>
2C021U160100300	1	16	0.347 / 8.8	60 / 89	41 / 19	6.2 / 159
2C022U160200300	2	16	0.514 / 13.1	126 / 187	82 / 37	9.3 / 235
2C022U160400300	4	16	0.632 / 16.1	199 / 296	165 / 75	11.4 / 289
2C022U160600300	6	16	0.756 / 19.2	282 / 420	247 / 112	13.6 / 346
2C022U160800300	8	16	0.821 / 20.9	349 / 519	330 / 150	14.8 / 375
2C022U161200300	12	16	1.042 / 26.5	534 / 795	494 / 224	18.7 / 476
2C022U161600300	16	16	1.160 / 29.5	667 / 993	659 / 299	20.9 / 530
2C022U162400300	24	16	1.438 / 36.5	963 / 1433	989 / 449	25.9 / 658
2C022U163600300	36	16	1.657 / 42.1	1353 / 2013	1483 / 673	29.8 / 758
2C021U180100300	1	18	0.323 / 8.2	49 / 73	26 / 12	5.8 / 148
2C022U180200300	2	18	0.475 / 12.1	100 / 149	52 / 24	8.5 / 217
2C022U180400300	4	18	0.584 / 14.8	156 / 232	104 / 47	10.5 / 267
2C022U180600300	6	18	0.696 / 17.7	218 / 324	156 / 71	12.5 / 318
2C022U180800300	8	18	0.754 / 19.2	266 / 396	208 / 94	13.6 / 345
2C022U181200300	12	18	0.957 / 24.3	407 / 605	312 / 142	17.2 / 438
2C022U181800300	18	18	1.122 / 28.5	559 / 832	468 / 212	20.2 / 513
2C022U182400300	24	18	1.315 / 33.4	719 / 1070	624 / 283	23.7 / 601
2C022U183600300	36	18	1.512 / 38.4	996 / 1482	936 / 425	27.2 / 692

UL Type TC Tray, Instrumentation, 600 V

Triads

PART NUMBER	NUMBER OF TRIADS	CONDUCTOR SIZE	NOMINAL DIAMETER OVERALL CABLE	CABLE WEIGHT	MAX PULLING TENSION (PULLING EYE)	MIN BEND RADIUS (PULL)
		<i>(AWG/kcmil)</i>	<i>(in/mm)</i>	<i>(lbs/1000ft) (kg/km)</i>	<i>(lb/kg)</i>	<i>(in/mm)</i>
2C031U160100300	1	16	0.365 / 9.3	72 / 107	62 / 28	6.6 / 167
2C032U160200300	2	16	0.615 / 15.6	179 / 267	124 / 56	11.1 / 281
2C032U160400300	4	16	0.718 / 18.2	261 / 388	247 / 112	12.9 / 328
2C032U160600300	6	16	0.903 / 22.9	409 / 609	371 / 168	16.3 / 413
2C032U160800300	8	16	0.978 / 24.8	503 / 749	494 / 224	17.6 / 447
2C032U161200300	12	16	1.188 / 30.2	713 / 1060	742 / 336	21.4 / 543
2C032U161600300	16	16	1.326 / 33.7	897 / 1335	989 / 449	23.9 / 606
2C032U162400300	24	16	1.651 / 41.9	1305 / 1941	1483 / 673	29.7 / 755
2C031U180100300	1	18	0.339 / 8.6	57 / 85	39 / 18	6.1 / 155
2C032U180200300	2	18	0.568 / 14.4	145 / 215	78 / 35	10.2 / 260
2C032U180400300	4	18	0.661 / 16.8	203 / 302	156 / 71	11.9 / 302
2C032U180600300	6	18	0.791 / 20.1	289 / 430	234 / 106	14.2 / 362
2C032U180800300	8	18	0.899 / 22.8	389 / 579	312 / 142	16.2 / 411
2C032U181200300	12	18	1.089 / 27.7	547 / 814	468 / 212	19.6 / 498
2C032U181800300	18	18	1.281 / 32.5	754 / 1123	702 / 318	23.1 / 586
2C032U182400300	24	18	1.506 / 38.2	977 / 1453	936 / 425	27.1 / 688