

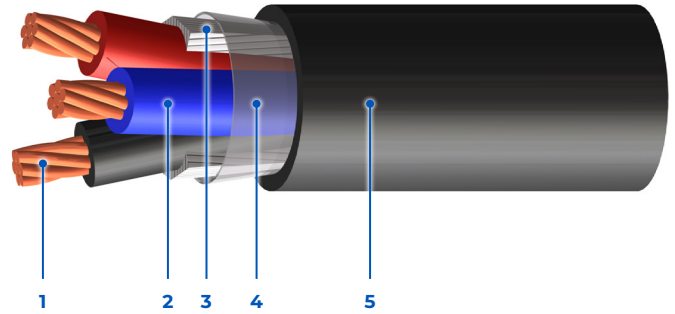
# UL Type TC Tray Control, Multi-Conductor, 2000 V

Tray Control cables are suitable for use in ventilated, non-ventilated and ladder type cable trays, direct burial, raceways and for exposed or concealed wiring in wet, damp or dry locations in -40°C (-40°F) environments. Applicable for use in Utilities, Industrial and Commercial applications.

## Standards:



# TC-ER



- 1 – Strand Bare (ASTM B8) Annealed Copper Conductors
- 2 – FR XLPE (RHW-2 Rated) Insulated Conductors
- 3 – Polypropylene Fillers

- 4 – Polyester Separator Tape
- 5 – FR PVC Outer Protective Jacket

## Product Construction

### Insulation:

- FR XLPE (RHW-2 rated) rated: 90°C wet/dry

### Jacket

- FR PVC outer black jacket rated: 90°C to -40°C
- Thermoset CPE (optional)
- Thermoplastic CPE (optional)
- Thermoplastic LSZH (optional)

### Available in:

- Custom insulation/jacket colors
- Composite constructions

## Certification/Compliances

- UL 1277, Tray Cable (TC-ER)
- UL 44, Thermoset Insulated Wires and Cables
- UL 1685/FT4, Vertical Tray Flame Test rated (optional)
- IEEE 1202/383 (70,000 BTU/hr), Vertical Flame Test rated (optional)
- ICEA T-30-520 (70,000 BTU/hr), Vertical Flame Test rated
- XLPE (RHW-2 rated), 90°C wet/dry
- UV sunlight resistant "SUN RES" (all colors)
- Direct burial rated
- -40°C cold bend rated
- Rated for use in hazardous locations:
  - Class I Zone 2 (Div 2)
  - Class II Zone 22 (Div 2)

# 2000 V

Voltage

# UL Type TC-ER

Control

## Color Coding

- Method K1 & K2 (standard)
- Method 4 (optional)

# UL Type TC Tray Control, Multi-Conductor, 2000 V

PART NUMBER	NUMBER OF CONDUCTORS	CONDUCTOR SIZE	NOMINAL DIAMETER OVERALL CABLE	CABLE WEIGHT	AMPACITY	MAX PULLING TENSION (PULLING EYE)	MIN BEND RADIUS (PULL)
		(AWG/kcmil)	(in/mm)	(lbs/1000ft) (kg/km)	(30°C ambient)	(lb/kg)	(in/mm)
2K010U140200300	2	14	0.492 / 12.5	111 / 165	25	66 / 30	4.4 / 112
2K010U140300300	3	14	0.521 / 13.2	137 / 204	25	99 / 45	4.7 / 119
2K010U140400300	4	14	0.601 / 15.3	188 / 280	20	132 / 60	5.4 / 137
2K010U140500300	5	14	0.657 / 16.7	227 / 338	20	165 / 75	5.9 / 150
2K010U140600300	6	14	0.715 / 18.2	261 / 388	20	197 / 90	6.4 / 163
2K010U140300300	7	14	0.715 / 18.5	282 / 420	17.5	230 / 104	6.4 / 163
2K010U140800300	8	14	0.773 / 19.6	315 / 469	17.5	263 / 119	7 / 177
2K010U141000300	10	14	0.948 / 24.1	428 / 637	12.5	329 / 149	8.5 / 217
2K010U141200300	12	14	0.977 / 24.8	483 / 719	12.5	395 / 179	8.8 / 223
2K010U141400300	14	14	1.027 / 26.1	548 / 815	12.5	461 / 209	9.2 / 235
2K010U141500300	15	14	1.054 / 26.8	580 / 863	12.5	494 / 224	9.5 / 241
2K010U142000300	20	14	1.199 / 30.5	747 / 1111	12.5	658 / 298	10.8 / 274
2K010U142500300	25	14	1.334 / 33.9	908 / 1351	11.25	823 / 373	12 / 305
2K010U143000300	30	14	1.413 / 35.9	1048 / 1559	11.25	987 / 448	12.7 / 323
2K010U144000300	40	14	1.585 / 40.3	1344 / 2000	10	1316 / 597	14.3 / 362
2K010U145000300	50	14	1.826 / 46.4	1756 / 2613	8.75	1645 / 746	16.4 / 417
2K010U120200300	2	12	0.528 / 13.4	136 / 202	30	104 / 47	4.8 / 121
2K010U120300300	3	12	0.590 / 15.0	189 / 282	30	157 / 71	5.3 / 135
2K010U120400300	4	12	0.645 / 16.4	235 / 349	24	209 / 95	5.8 / 147
2K010U120500300	5	12	0.706 / 17.9	282 / 420	24	261 / 118	6.4 / 161
2K010U120600300	6	12	0.769 / 19.5	334 / 497	24	313 / 142	6.9 / 176
2K010U120700300	7	12	0.769 / 19.5	364 / 541	21	365 / 166	6.9 / 176
2K010U120800300	8	12	0.832 / 21.1	401 / 596	21	418 / 189	7.5 / 190
2K010U121000300	10	12	1.020 / 25.9	538 / 801	15	522 / 237	9.2 / 233
2K010U121200300	12	12	1.052 / 26.7	615 / 915	15	626 / 284	9.5 / 240
2K010U121400300	14	12	1.106 / 28.1	699 / 1040	15	731 / 331	10 / 253
2K010U121500300	15	12	1.136 / 28.9	741 / 1102	15	783 / 355	10.2 / 260
2K010U122000300	20	12	1.294 / 32.9	957 / 1425	15	1044 / 474	11.6 / 296
2K010U122500300	25	12	1.442 / 36.6	1170 / 1741	13.5	1305 / 592	13 / 330
2K010U123000300	30	12	1.529 / 38.8	1358 / 2021	13.5	1566 / 710	13.8 / 349
2K010U124000300	40	12	1.776 / 45.1	1853 / 2757	12	2088 / 947	16 / 406
2K010U125000300	50	12	1.975 / 50.2	2272 / 3381	10.5	2610 / 1184	17.8 / 451

\*Ampacity value based on National Electrical Code, Version 2020, Table 310.16. Values are corrected according to Table 310.15(C)(1) for number of Conductors.

# UL Type TC Tray Control, Multi-Conductor, 2000 V

PART NUMBER	NUMBER OF CONDUCTORS	CONDUCTOR SIZE	NOMINAL DIAMETER OVERALL CABLE	CABLE WEIGHT	AMPACITY	MAX PULLING TENSION (PULLING EYE)	MIN BEND RADIUS (PULL)
		(AWG/kcmil)	(in/mm)	(lbs/1000ft) (kg/km)	(30°C ambient)	(lb/kg)	(in/mm)
2K010U100200300	2	10	0.608 / 15.4	191 / 284	40	166 / 75	5.5 / 139
2K010U100300300	3	10	0.643 / 16.3	244 / 363	40	249 / 113	5.8 / 147
2K010U100400300	4	10	0.705 / 17.9	305 / 453	32	332 / 151	6.3 / 161
2K010U100500300	5	10	0.773 / 19.6	369 / 549	32	415 / 188	7 / 177
2K010U100600300	6	10	0.844 / 21.4	434 / 646	32	498 / 226	7.6 / 193
2K010U100700300	7	10	0.844 / 21.4	477 / 711	28	581 / 264	7.6 / 193
2K010U100800300	8	10	0.955 / 24.3	569 / 847	28	664 / 301	8.6 / 218
2K010U101000300	10	10	1.120 / 28.5	708 / 1053	20	830 / 376	10.1 / 256
2K010U101200300	12	10	1.155 / 29.4	814 / 1211	20	996 / 452	10.4 / 264
2K010U101400300	14	10	1.217 / 30.9	930 / 1384	20	1162 / 527	11 / 278
2K010U101500300	15	10	1.250 / 31.7	987 / 1469	20	1245 / 565	11.2 / 286
2K010U102000300	20	10	1.427 / 36.2	1284 / 1911	20	1660 / 753	12.8 / 326
2K010U102500300	25	10	1.592 / 40.4	1573 / 2341	18	2075 / 941	14.3 / 364
2K010U103000300	30	10	1.689 / 42.9	1837 / 2733	18	2490 / 1129	15.2 / 386
2K010U104000300	40	10	1.959 / 49.8	2492 / 3709	16	3320 / 1506	17.6 / 448

\*Ampacity value based on National Electrical Code, Version 2020, Table 310.16. Values are corrected according to Table 310.15(C)(1) for number of Conductors.