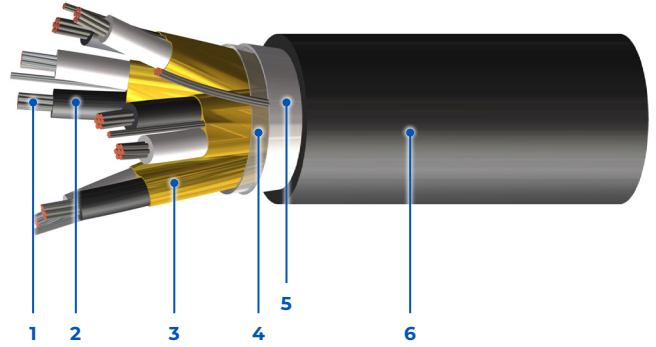


UL Type PLTC / ITC Unarmored Instrumentation, 300 V

Tray Instrumentation cables can be used to minimize noise and signal interference by preventing crosstalk between pairs and triads. This cable can also be used to carry analog or digital signals. Tray Instrumentation cables can be installed in raceways, direct burial applications and in outdoor exposed industrial applications.

Standards:

PLTC /
ITC-ER



- 1 – Stranded Bare Copper Conductors (Tin-coated available)
- 2 – FR PVC Insulated Conductors
- 3 – Individual Shield & Overall Shielded Pairs/Triads with Tin-coated Copper Drain Wire

- 4 – Polyester Separator Tape
- 5 – Overall Aluminum/Mylar Shield with Tin-coated Copper Drain Wire
- 6 – FR PVC Protective Jacket

Product Construction

Insulation:

- FR PVC rated: 60°C wet/105°C dry
- XLPE rated (optional)
- VW-1 rated (optional)

Shielding (foil-free edge):

- ISOS (standard)
- OS (optional)

Jacket:

- FR PVC outer black jacket rated: 90°C to -40°C
- Thermoset CPE (optional)
- Thermoplastic CPE (optional)
- Thermoplastic LSZH (optional)

Available in:

- Custom insulation/jacket color
- Composite constructions
- PLTC/ITC-ER with CPE jackets

Certification/Compliances

- UL 13, Power Limited Tray Cable (PLTC)
- UL 2250, Instrumentation Tray Cable (ITC)
- UL 83, Thermoplastic Insulated Wires and Cables
- UL 1685/FT4, Vertical Tray Flame Test rated (optional)
- IEEE 1202/383 (70,000 BTU/hr), Vertical Flame Test rated (optional)
- ICEA T-30-520 (70,000 BTU/hr), Vertical Flame Test rated
- UV sunlight resistant "SUN RES" (all colors)
- Direct burial rated (optional)
- -40°C cold bend rated
- Rated for use in hazardous locations:
 - Class I Zone 2 (Div 2)
 - Class II Zone 22 (Div 2)

300 V

Voltage

Color Coding

- Pairs – Black, & white, with black printing on white (standard)
- Triads – Black, white & red, with black printing on white (standard)

UL Type PLTC / ITC

Instrumentation

UL Type PLTC / ITC Unarmored Instrumentation, 300 V

Pairs

PART NUMBER	NUMBER OF PAIRS	CONDUCTOR SIZE	NOMINAL DIAMETER OVERALL CABLE	CABLE WEIGHT	MAX PULLING TENSION (PULLING EYE)	MIN BEND RADIUS (PULL)
		(AWG/kcmil)	(in/mm)	(lbs/1000ft) (kg/km)	(lb/kg)	(in/mm)
23021U160100700	1	16	0.267 / 6.8	43 / 64	41 / 19	4.8 / 122
23022U160200700	2	16	0.426 / 10.8	104 / 155	82 / 37	7.7 / 195
23022U160400700	4	16	0.492 / 12.5	152 / 226	165 / 75	8.9 / 225
23022U160600700	6	16	0.586 / 14.9	216 / 321	247 / 112	10.5 / 268
23022U160800700	8	16	0.654 / 16.6	283 / 421	330 / 150	11.8 / 299
23022U161200700	12	16	0.791 / 20.1	401 / 597	494 / 224	14.2 / 362
23022U161600700	16	16	0.880 / 22.4	508 / 755	659 / 299	15.8 / 402
23022U162400700	24	16	1.111 / 28.2	761 / 1132	989 / 449	20 / 508
23022U163600700	36	16	1.276 / 32.4	1076 / 1601	1483 / 673	23 / 583
23021U180100700	1	18	0.243 / 6.2	34 / 51	26 / 12	4.4 / 111
23022U180200700	2	18	0.366 / 9.3	74 / 110	52 / 24	6.6 / 167
23022U180400700	4	18	0.444 / 11.3	118 / 175	104 / 47	8 / 203
23022U180600700	6	18	0.525 / 13.4	166 / 246	156 / 71	9.5 / 240
23022U180800700	8	18	0.568 / 14.4	204 / 303	208 / 94	10.2 / 260
23022U181200700	12	18	0.707 / 18.0	299 / 446	312 / 142	12.7 / 323
23022U181800700	18	18	0.827 / 21.0	420 / 625	468 / 212	14.9 / 378
23022U182400700	24	18	0.987 / 25.1	562 / 836	624 / 283	17.8 / 451
23022U183600700	36	18	1.131 / 28.7	791 / 1178	936 / 425	20.4 / 517
23021U200100700	1	20	0.211 / 5.4	26 / 38	16 / 7	3.8 / 96
23022U200600700	6	20	0.445 / 11.3	122 / 182	96 / 44	8 / 203
23022U200800700	8	20	0.479 / 12.2	149 / 222	128 / 58	8.6 / 219
23022U201200700	12	20	0.574 / 14.6	209 / 311	192 / 87	10.3 / 263
23022U201600700	16	20	0.656 / 16.7	274 / 407	256 / 116	11.8 / 300
23022U202400700	24	20	0.803 / 20.4	392 / 583	384 / 174	14.5 / 367
23022U203600700	36	20	0.938 / 23.8	567 / 843	576 / 261	16.9 / 429

UL Type PLTC / ITC Unarmored Instrumentation, 300 V

Triads

PART NUMBER	NUMBER OF PAIRS	CONDUCTOR SIZE	NOMINAL DIAMETER OVERALL CABLE	CABLE WEIGHT	MAX PULLING TENSION (PULLING EYE)	MIN BEND RADIUS (PULL)
		<i>(AWG/kcmil)</i>	<i>(in/mm)</i>	<i>(lbs/1000ft) (kg/km)</i>	<i>(lb/kg)</i>	<i>(in/mm)</i>
23031U160100700	1	16	0.280 / 7.1	54 / 80	62 / 28	5 / 128
23032U160200700	2	16	0.478 / 12.1	134 / 199	124 / 56	8.6 / 219
23032U160400700	4	16	0.555 / 14.1	203 / 302	247 / 112	10 / 254
23032U160600700	6	16	0.684 / 17.4	304 / 453	371 / 168	12.3 / 313
23032U160800700	8	16	0.741 / 18.8	382 / 568	494 / 224	13.3 / 339
23032U161200700	12	16	0.919 / 23.4	563 / 839	742 / 336	16.6 / 420
23032U161600700	16	16	1.023 / 26.0	718 / 1068	989 / 449	18.4 / 468
23032U162400700	24	16	1.268 / 32.2	1045 / 1555	1483 / 673	22.8 / 580
23031U180100700	1	18	0.255 / 6.5	41 / 61	39 / 18	4.6 / 116
23032U180200700	2	18	0.433 / 11.0	105 / 156	78 / 35	7.8 / 198
23032U180400700	4	18	0.500 / 12.7	153 / 227	156 / 71	9 / 229
23032U180600700	6	18	0.596 / 15.1	217 / 322	234 / 106	10.7 / 272
23032U180800700	8	18	0.665 / 16.9	283 / 422	312 / 142	12 / 304
23032U181200700	12	18	0.804 / 20.4	402 / 598	468 / 212	14.5 / 367
23032U181800700	18	18	0.964 / 24.5	584 / 869	702 / 318	17.3 / 441
23032U182400700	24	18	1.128 / 28.7	762 / 1133	936 / 425	20.3 / 516
23031U200100700	1	20	0.220 / 5.6	31 / 46	24 / 11	4 / 101
23032U200200700	2	20	0.350 / 8.9	71 / 106	48 / 22	6.3 / 160
23032U200400700	4	20	0.424 / 10.8	112 / 166	96 / 44	7.6 / 194
23032U200600700	6	20	0.500 / 12.7	156 / 233	144 / 65	9 / 229
23032U200800700	8	20	0.539 / 13.7	193 / 288	192 / 87	9.7 / 247
23032U201200700	12	20	0.670 / 17.0	284 / 423	288 / 131	12.1 / 306
23032U201600700	16	20	0.742 / 18.9	359 / 535	384 / 174	13.4 / 339
23032U202400700	24	20	0.932 / 23.7	534 / 795	576 / 261	16.8 / 426