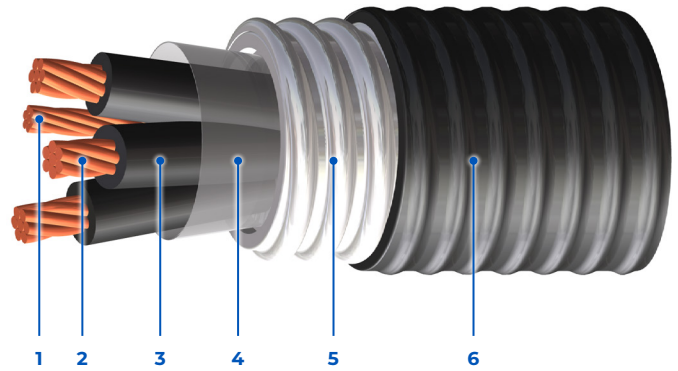


UL Type MC Armored Power, Multi-Conductor, 600/1000 V

Metal Clad AIA Power cables are suitable for use in ventilated, non-ventilated and ladder type cable trays, direct burial, raceways and for exposed or concealed wiring in wet, damp or dry locations in -40°C (40°F) environments. Applicable for use in Utilities, Industrial and Commercial applications.

Standards:



1 – Grounding/Bonding Conductor

2 – Strand Bare (ASTM B8) Annealed Copper Conductors

3 – FR XLPE (XHHW-2 Rated) Insulated Conductors

4 – Polyester Separator Tape

5 – Aluminum Interlocked Armor (AIA)

6 – FR PVC Outer Protective Black Jacket

Product Construction

Insulation:

- FR XLPE (XHHW-2 rated) rated: 90°C wet/dry
- VW-1 rated (optional)

Armor:

- Aluminum Interlocked Armor (AIA) (standard)
- Steel Interlocked Armor (SIA) (optional)

Jacket:

- FR PVC outer black jacket rated: 90°C to -40°C
- Thermoset CPE (optional)
- Thermoplastic CPE (optional)
- Thermoplastic LSZH (optional)

Available in:

- Custom insulation/jacket colors
- Composite constructions
- Inner jacket (optional)

Certification/Compliances

- UL 1569, Metal Clad Cables (MC)
- UL 44, Thermoset Insulated Wires and Cables
- UL 1685/FT4, Vertical Tray Flame Test rated (optional)
- IEEE 1202/383 (70,000 BTU/hr), Vertical Flame Test rated (optional)
- ICEA T-30-520 (70,000 BTU/hr), Vertical Flame Test rated
- XLPE (XHHW-2 rated), 90°C wet/dry
- UV sunlight resistant "SUN RES" (all colors) (for CT use)
- Direct burial rated
- -40°C cold bend rated
- Rated for use in hazardous locations:
 - Class I Zone 2 (Div 2)
 - Class II Zone 22 (Div 2)

600/ 1000 V

Voltage
(1000 V optional)

Color Coding

- Black conductors (standard)
- Method K1 or K2 (optional)
- Method 4 (optional)

UL Type MC

Power

UL Type MC Armored Power, Multi-Conductor, 600/1000 V

PART NUMBER	NUMBER OF CONDUCTORS	CONDUCTOR SIZE <i>(AWG/kcmil)</i>	GROUND WIRE SIZE <i>(AWG/kcmil)</i>	NORMAL DIAMETERS		CABLE WEIGHT <i>(lbs/1000ft) (kg/km)</i>	AMPACITY <i>(30°C ambient)</i>	MAX PULLING TENSION (PULLING EYE) <i>(lb/kg)</i>	MIN BEND RADIUS (PULL) <i>(in/mm)</i>
				OVER ARMOR <i>(in/mm)</i>	OVERALL CABLE <i>(in/mm)</i>				
2C610U140200309	2	14	14	0.510 / 13.0	0.622 / 15.8	172 / 256	25	66 / 30	11.2 / 284
2C610U120200309	2	12	12	0.546 / 13.9	0.658 / 16.7	206 / 306	30	104 / 47	11.8 / 301
2C610U100200309	2	10	10	0.596 / 15.1	0.708 / 18.0	258 / 383	40	166 / 75	12.7 / 324
2C610U080200309	2	8	10	0.714 / 18.1	0.826 / 21.0	348 / 518	55	265 / 120	14.9 / 378
2C610U060200309	2	6	8	0.792 / 20.1	0.904 / 23.0	456 / 678	75	419 / 190	16.3 / 413
2C610U040200309	2	4	8	0.886 / 22.5	0.998 / 25.4	594 / 885	95	668 / 303	18 / 456
2C610U030200309	2	3	6	0.940 / 23.9	1.052 / 26.7	714 / 1063	115	842 / 382	18.9 / 481
2C610U020200309	2	2	6	0.966 / 24.5	1.078 / 27.4	824 / 1226	130	1062 / 482	19.4 / 493
2C610U010240309	2	1	6	1.084 / 27.5	1.196 / 30.4	993 / 1477	145	1339 / 607	21.5 / 547
2C610U1/0240309	2	1/0	6	1.164 / 29.6	1.276 / 32.4	1174 / 1747	170	1690 / 766	23 / 583
2C610U2/0240309	2	2/0	6	1.250 / 31.8	1.362 / 34.6	1392 / 2071	195	2130 / 966	24.5 / 623
2C610U3/0240309	2	3/0	4	1.352 / 34.3	1.464 / 37.2	1710 / 2544	225	2671 / 1212	26.4 / 669
2C610U4/0240309	2	4/0	4	1.464 / 37.2	1.576 / 40.0	2050 / 3051	260	3386 / 1536	28.4 / 721
2C610U250260309	2	250	4	1.596 / 40.6	1.728 / 43.9	2393 / 3561	290	4000 / 1814	31.1 / 790
2C610U300260309	2	300	3	1.702 / 43.2	1.834 / 46.6	2804 / 4173	320	4800 / 2177	33 / 839
2C610U350260309	2	350	3	1.802 / 45.8	1.934 / 49.1	3180 / 4732	350	5600 / 2540	34.8 / 884
2C610U500260309	2	500	3	2.159 / 54.8	2.291 / 58.2	4492 / 6685	430	8000 / 3629	41.2 / 1047
2C610U140300309	3	14	14	0.541 / 13.7	0.653 / 16.6	192 / 285	25	99 / 45	11.7 / 298
2C610U120300309	3	12	12	0.581 / 14.8	0.693 / 17.6	234 / 348	30	157 / 71	12.5 / 317
2C610U100300309	3	10	10	0.637 / 16.2	0.748 / 19.0	304 / 453	40	249 / 113	13.5 / 342
2C610U080300309	3	8	10	0.768 / 19.5	0.880 / 22.4	423 / 630	55	397 / 180	15.8 / 402
2C610U060300309	3	6	8	0.854 / 21.7	0.966 / 24.6	563 / 838	75	629 / 285	17.4 / 442
2C610U040300309	3	4	8	0.934 / 23.7	1.046 / 26.6	751 / 1118	95	1002 / 454	18.8 / 478
2C610U030300309	3	3	6	0.972 / 24.7	1.084 / 27.5	901 / 1341	115	1263 / 573	19.5 / 496
2C610U020300309	3	2	6	1.023 / 26.0	1.135 / 28.8	1058 / 1575	130	1593 / 723	20.4 / 519
2C610U010340309	3	1	6	1.149 / 29.2	1.261 / 32.0	1292 / 1923	145	2009 / 911	22.7 / 577
2C610U1/0340309	3	1/0	6	1.235 / 31.4	1.347 / 34.2	1546 / 2300	170	2534 / 1150	24.3 / 616
2C610U2/0340309	3	2/0	6	1.328 / 33.7	1.440 / 36.6	1853 / 2757	195	3194 / 1449	25.9 / 658
2C610U3/0340309	3	3/0	4	1.438 / 36.5	1.549 / 39.4	2285 / 3401	225	4007 / 1818	27.9 / 708
2C610U4/0340309	3	4/0	4	1.558 / 39.6	1.690 / 42.9	2794 / 4158	260	5078 / 2304	30.4 / 773

*Ampacity value based on National Electrical Code, Version 2020, Table 310.16. Values are corrected according to Table 310.15(C)(1) for number of Conductors. Per NEC 310.15(C)(1), the ampacity of 4/C cable shall be reduced by a factor of 0.8 when the neutral is considered a current-carrying conductor.

UL Type MC Armored Power, Multi-Conductor, 600/1000 V

PART NUMBER	NUMBER OF CONDUCTORS	CONDUCTOR SIZE <i>(AWG/kcmil)</i>	GROUND WIRE SIZE <i>(AWG/kcmil)</i>	NORMAL DIAMETERS		CABLE WEIGHT <i>(lbs/1000ft) (kg/km)</i>	AMPACITY <i>(30°C ambient)</i>	MAX PULLING TENSION (PULLING EYE) <i>(lb/kg)</i>	MIN BEND RADIUS (PULL) <i>(in/mm)</i>
				OVER ARMOR <i>(in/mm)</i>	OVERALL CABLE <i>(in/mm)</i>				
2C610U250360309	3	250	4	1.700 / 43.2	1.832 / 46.5	3232 / 4809	290	6000 / 2722	33 / 837
2C610U300360309	3	300	3	1.814 / 46.1	1.946 / 49.4	3798 / 5652	320	7200 / 3266	35 / 890
2C610U350360309	3	350	3	2.022 / 51.4	2.154 / 54.7	4528 / 6738	350	8400 / 3810	38.8 / 985
2C610U500360309	3	500	3	2.298 / 58.4	2.459 / 62.5	6206 / 9236	430	12000 / 5443	44.3 / 1124
2C610U140400309	4	14	14	0.574 / 14.6	0.686 / 17.4	217 / 323	20	132 / 60	12.3 / 314
2C610U120400309	4	12	12	0.618 / 15.7	0.730 / 18.6	269 / 400	24	209 / 95	13.1 / 334
2C610U100400309	4	10	10	0.680 / 17.3	0.792 / 20.1	349 / 520	32	332 / 151	14.3 / 362
2C610U080400309	4	8	10	0.827 / 21.0	0.939 / 23.9	502 / 747	44	529 / 240	16.9 / 429
2C610U060400309	4	6	8	0.922 / 23.4	1.035 / 26.3	679 / 1011	60	839 / 380	18.6 / 473
2C610U040400309	4	4	8	1.003 / 25.5	1.115 / 28.3	922 / 1372	76	1336 / 606	20.1 / 510
2C610U030400309	4	3	6	1.070 / 27.2	1.182 / 30.0	1115 / 1660	92	1684 / 764	21.3 / 540
2C610U020400309	4	2	6	1.147 / 29.1	1.259 / 32.0	1329 / 1978	104	2124 / 964	22.7 / 576
2C610U010440309	4	1	6	1.263 / 32.1	1.375 / 35.0	1625 / 2418	116	2678 / 1215	24.7 / 629
2C610U1/0440309	4	1/0	6	1.359 / 34.5	1.471 / 37.4	1954 / 2908	136	3379 / 1533	26.5 / 673
2C610U2/0440309	4	2/0	6	1.463 / 37.2	1.575 / 40.0	2359 / 3510	156	4259 / 1932	28.3 / 720
2C610U3/0440309	4	3/0	4	1.586 / 40.3	1.718 / 43.7	2953 / 4395	180	5343 / 2423	30.9 / 785
2C610U4/0440309	4	4/0	4	1.721 / 43.7	1.853 / 47.0	3585 / 5335	208	6771 / 3071	33.3 / 847
2C610U250460309	4	250	4	1.981 / 50.3	2.113 / 53.7	4335 / 6451	232	8000 / 3629	38 / 966
2C610U300460309	4	300	3	2.108 / 53.6	2.240 / 56.9	5084 / 7566	256	9600 / 4355	40.3 / 1024
2C610U350460309	4	350	3	2.229 / 56.6	2.361 / 60.0	5804 / 8637	280	11200 / 5080	42.5 / 1079
2C610U500460309	4	500	3	2.537 / 64.5	2.699 / 68.6	8002 / 11908	344	16000 / 7258	48.6 / 1234

*Ampacity value based on National Electrical Code, Version 2020, Table 310.16. Values are corrected according to Table 310.15(C)(1) for number of Conductors. Per NEC 310.15(C)(1), the ampacity of 4/C cable shall be reduced by a factor of 0.8 when the neutral is considered a current-carrying conductor.