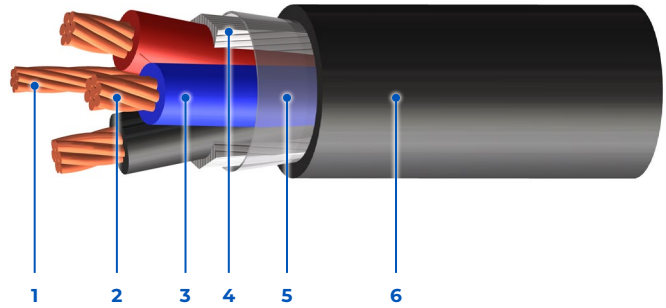


CSA Unarmoured Tray Power, Multi-Conductor, 1000 V

Tray Power Control cables are suitable for use in ventilated, non-ventilated and ladder type cable trays, direct burial, raceways and for exposed or concealed wiring in wet, damp or dry locations in -40°C (-40°F) environments. Applicable for use in Utilities, Industrial and Commercial applications.

Standards:



- 1 – Grounding/Bonding Conductor
- 2 – Strand Bare (ASTM B8) Annealed Copper Conductors
- 3 – XLPE (RW90 Rated) Insulated Conductors

- 4 – Polypropylene Fillers
- 5 – Polyester Separator Tape
- 6 – FR PVC Outer Protective Jacket

Product Construction

Insulation:

- XLPE (RW90 rated) rated: 90°C wet/105°C dry

Shielding (foil-free edge):

- OS (optional)

Jacket:

- FR PVC outer black jacket rated: 90°C to -40°C

Available in:

- Custom insulation/ jacket colours
- Composite constructions
- Aluminum conductors

Certification/Compliances

- CSA C22.2 NO. 230, Tray Cables (TC)
- CSA C22.2 NO. 239, Control & Instrumentation Cables (Type CIC)
- CSA C22.2 NO. 38, Thermoset Insulated Wires & Cables (XLPE)
- CSA FT4, UL 1685 FT4, Vertical Tray Flame Test rated
- IEEE 383 & 1202 (70,000 BTU/hr), Vertical Flame Test rated
- ICEA T-30-520 (70,000 BTU/hr), Vertical Flame Test rated
- XLPE (RW90 rated), 90°C wet/105°C dry

- UV sunlight resistant "SUN RES" (all colours)
- Direct burial rated
- -40°C cold bend/ impact rated
- Rated for use in hazardous locations:
 - Class 1 Zone 0 (Intrinsically Safe cables only)
 - Class I Zone 2 (Div 2)

Colour Coding

- 2C – Black & white
- 3C – Black, red & blue
- 4C – Black, red, blue & white
- 5C to 50C – Black # coded

1000 V

Voltage (Optional: 600/2000 V)

CSA Type TC

Power

CSA Unarmoured Tray Power, Multi-Conductor, 1000 V

PART NUMBER	NUMBER OF CONDUCTORS	CONDUCTOR SIZE	GROUND WIRE SIZE	NOMINAL DIAMETER OVERALL CABLE	CABLE WEIGHT	AMPACITY	MAX PULLING TENSION (PULLING EYE)	MIN BEND RADIUS (PULL)
		(AWG/ kcmil)	(AWG/ kcmil)	(in/mm)	(lbs/1000ft) (kg/km)	(30°C ambient)	(lb/kg)	(in/mm)
4D010M140200000	2	14	14	0.432 / 11.0	97 / 144	25	66 / 30	3.9 / 99
4S010M120200000	2	12	14	0.468 / 11.9	120 / 179	30	104 / 47	4.2 / 107
4S010M100200000	2	10	12	0.518 / 13.2	162 / 241	40	166 / 75	4.7 / 118
4D010M080200000	2	8	10	0.606 / 15.4	245 / 364	55	265 / 120	5.5 / 139
4D010M060200000	2	6	8	0.744 / 18.9	371 / 552	75	419 / 190	6.7 / 170
4D010M040200000	2	4	8	0.838 / 21.3	502 / 747	95	668 / 303	7.5 / 192
4D010M030200000	2	3	6	0.932 / 23.7	654 / 973	115	842 / 382	8.4 / 213
4D010M020200000	2	2	6	0.994 / 25.3	763 / 1135	130	1062 / 482	8.9 / 227
4D010M010240000	2	1	6	1.152 / 29.3	959 / 1427	145	1339 / 607	10.4 / 263
4D010M1/0240000	2	1/0	6	1.232 / 31.3	1120 / 1667	170	1690 / 766	11.1 / 282
4D010M2/0240000	2	2/0	6	1.318 / 33.5	1338 / 1992	195	2130 / 966	11.9 / 301
4D010M3/0240000	2	3/0	4	1.420 / 36.1	1648 / 2452	225	2671 / 1212	12.8 / 325
4D010M4/0240000	2	4/0	4	1.532 / 38.9	1987 / 2957	260	3386 / 1536	13.8 / 350
4D010M250260000	2	250	4	1.664 / 42.3	2290 / 3408	290	4000 / 1814	15 / 380
4D010M300260000	2	300	4	1.830 / 46.5	2762 / 4110	320	4800 / 2177	16.5 / 418
4D010M350260000	2	350	3	1.930 / 49.0	3175 / 4725	350	5600 / 2540	17.4 / 441
4D010M500260000	2	500	3	2.186 / 55.5	4284 / 6375	430	8000 / 3629	19.7 / 500
4D010M750260000	2	750	2	2.544 / 64.6	6150 / 9152	535	12000 / 5443	22.9 / 582
4D010M140300000	3	14	14	0.470 / 11.9	119 / 177	25	99 / 45	4.2 / 107
4S010M120300000	3	12	14	0.510 / 13.0	152 / 226	30	157 / 71	4.6 / 117
4S010M100300000	3	10	12	0.595 / 15.1	223 / 332	40	249 / 113	5.4 / 136
4D010M080300000	3	8	10	0.660 / 16.8	313 / 466	55	397 / 180	5.9 / 151
4D010M060300000	3	6	8	0.813 / 20.7	481 / 716	75	629 / 285	7.3 / 186
4D010M040300000	3	4	8	0.930 / 23.6	693 / 1032	95	1002 / 454	8.4 / 213
4D010M030300000	3	3	6	0.988 / 25.1	845 / 1258	115	1263 / 573	8.9 / 226
4D010M020300000	3	2	6	1.055 / 26.8	1005 / 1496	130	1593 / 723	9.5 / 241
4D010M010340000	3	1	6	1.225 / 31.1	1264 / 1882	145	2009 / 911	11 / 280
4D010M1/0340000	3	1/0	6	1.311 / 33.3	1498 / 2230	170	2534 / 1150	11.8 / 300
4D010M2/0340000	3	2/0	6	1.403 / 35.7	1802 / 2681	195	3194 / 1449	12.6 / 321
4D010M3/0340000	3	3/0	4	1.513 / 38.4	2239 / 3333	225	4007 / 1818	13.6 / 346
4D010M4/0340000	3	4/0	4	1.633 / 41.5	2727 / 4058	260	5078 / 2304	14.7 / 373

*Ampacity value based on Canadian Electrical Code, Version 2018, Table-2. Ampacity of 4 conductors cable is based on 3 current-carrying conductors and 1 neutral.

CSA Unarmoured Tray Power, Multi-Conductor, 1000 V

PART NUMBER	NUMBER OF CONDUCTORS	CONDUCTOR SIZE	GROUND WIRE SIZE	NOMINAL DIAMETER OVERALL CABLE	CABLE WEIGHT	AMPACITY	MAX PULLING TENSION (PULLING EYE)	MIN BEND RADIUS (PULL)
		(AWG/ kcmil)	(AWG/ kcmil)	(in/mm)	(lbs/1000ft) (kg/km)	(30°C ambient)	(lb/kg)	(in/mm)
4D010M250360000	3	250	4	1.835 / 46.6	3238 / 4818	290	6000 / 2722	16.5 / 420
4D010M300360000	3	300	4	1.949 / 49.5	3775 / 5618	320	7200 / 3266	17.5 / 446
4D010M350360000	3	350	3	2.057 / 52.2	4355 / 6481	350	8400 / 3810	18.5 / 470
4D010M500360000	3	500	3	2.332 / 59.2	5940 / 8839	430	12000 / 5443	21 / 533
4D010M750360000	3	750	3	2.717 / 69.0	8586 / 12778	535	18000 / 8165	24.5 / 621
4D010M140400000	4	14	14	0.510 / 13.0	143 / 213	20	132 / 60	4.6 / 117
4S010M120400000	4	12	14	0.585 / 14.9	202 / 301	24	209 / 95	5.3 / 134
4S010M100400000	4	10	12	0.647 / 16.4	274 / 407	32	332 / 151	5.8 / 148
4D010M080400000	4	8	10	0.719 / 18.3	386 / 574	44	529 / 240	6.5 / 164
4D010M060400000	4	6	8	0.929 / 23.6	631 / 939	60	839 / 380	8.4 / 212
4D010M040400000	4	4	8	1.045 / 26.6	872 / 1298	76	1336 / 606	9.4 / 239
4D010M030400000	4	3	6	1.112 / 28.3	1069 / 1590	92	1684 / 764	10 / 254
4D010M020400000	4	2	6	1.189 / 30.2	1280 / 1904	104	2124 / 964	10.7 / 272
4D010M010440000	4	1	6	1.351 / 34.3	1614 / 2402	116	2678 / 1215	12.2 / 309
4D010M1/0440000	4	1/0	6	1.448 / 36.8	1911 / 2844	136	3379 / 1533	13 / 331
4D010M2/0440000	4	2/0	6	1.551 / 39.4	2339 / 3481	156	4259 / 1932	14 / 355
4D010M3/0440000	4	3/0	4	1.674 / 42.5	2877 / 4282	180	5343 / 2423	15.1 / 383
4D010M4/0440000	4	4/0	4	1.869 / 47.5	3632 / 5405	208	6771 / 3071	16.8 / 427
4D010M250460000	4	250	4	2.028 / 51.5	4174 / 6212	232	8000 / 3629	18.3 / 464
4D010M300460000	4	300	4	2.156 / 54.8	4899 / 7290	256	9600 / 4355	19.4 / 493
4D010M350460000	4	350	3	2.276 / 57.8	5627 / 8374	280	11200 / 5080	20.5 / 520
4D010M500460000	4	500	3	2.585 / 65.7	7737 / 11514	344	16000 / 7258	23.3 / 591
4D010M750460000	4	750	2	3.076 / 78.1	11373 / 16925	428	24000 / 10886	27.7 / 703

*Ampacity value based on Canadian Electrical Code, Version 2018, Table-2. Ampacity of 4 conductors cable is based on 3 current-carrying conductors and 1 neutral.