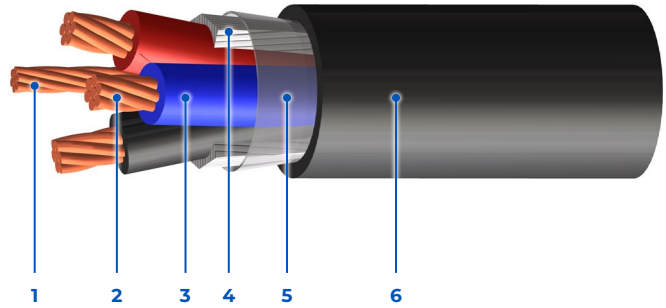


CSA Unarmoured Tray Control, Multi-Conductor, 600 V

Tray Control cables are suitable for use in ventilated, non-ventilated and ladder type cable trays, direct burial, raceways and for exposed or concealed wiring in wet, damp or dry locations in -40°C (-40°F) environments. Applicable for use in Utilities, Industrial and Commercial applications.

Standards:



- 1 – Grounding/Bonding Conductor
- 2 – Strand Bare (ASTM B8) Annealed Copper Conductors
- 3 – XLPE (RW90 Rated) Insulated Conductors
- 4 – Polypropylene Fillers
- 5 – Polyester Separator Tape
- 6 – FR PVC Outer Protective Jacket

Product Construction

Insulation:

- XLPE (RW90 rated) rated: 90°C wet/105°C dry

Shielding (foil-free edge):

- OS (optional)

Jacket:

- FR PVC outer black jacket rated: 90°C to -40°C

Available in:

- Custom insulation/jacket colours
- Composite constructions

Certification/Compliances

- CSA C22.2 NO. 230, Tray Cables (TC)
- CSA C22.2 NO. 239, Control & Instrumentation Cables (Type CIC)
- CSA C22.2 NO. 38, Thermoset Insulated Wires & Cables (XLPE)
- CSA FT4, UL 1685 FT4, Vertical Tray Flame Test rated
- IEEE 383 & 1202 (70,000 BTU/hr), Vertical Flame Test rated
- ICEA T-30-520 (70,000 BTU/hr), Vertical Flame Test rated
- XLPE (RW90 rated), 90°C wet/105°C dry

- UV sunlight resistant "SUN RES" (all colours)
- Direct burial rated
- -40°C cold bend/impact rated
- HL rated for use in hazardous locations:
 - Class 1 Zone 0 (Intrinsically Safe cables only)
 - Class I Zone 2 (Div 2)

Colour Coding

- 2C – Black & white
- 3C – Black, red & blue
- 4C – Black, red, blue & white
- 5C to 50C – Black # coded

600 V

Voltage
(Optional:
1000/2000 V)

CSA Type TC

Control

CSA Unarmoured Tray Control, Multi-Conductor, 600 V

PART NUMBER	NUMBER OF CONDUCTORS	CONDUCTOR SIZE	GROUND WIRE SIZE	NOMINAL DIAMETER OVERALL CABLE	CABLE WEIGHT	AMPACITY	MAX PULLING TENSION (PULLING EYE)	MIN BEND RADIUS (PULL)
		(AWG/ kcmil)	(AWG/ kcmil)	(in/mm)	(lbs/1000ft) (kg/km)	(30°C ambient)	(lb/kg)	(in/mm)
4C010M140200000	2	14	14	0.372 / 9.5	82 / 122	25	66 / 30	3.3 / 85
4C010M140300000	3	14	14	0.403 / 10.2	100 / 149	25	99 / 45	3.6 / 92
4C010M140400000	4	14	14	0.436 / 11.1	122 / 182	20	132 / 60	3.9 / 100
4C010M140500000	5	14	14	0.465 / 11.8	140 / 208	20	165 / 75	4.2 / 106
4C010M140600000	6	14	14	0.505 / 12.8	163 / 243	20	197 / 90	4.5 / 115
4C010M140700000	7	14	14	0.575 / 14.6	202 / 300	17.5	230 / 104	5.2 / 131
4C010M140800000	8	14	14	0.616 / 15.7	227 / 338	17.5	263 / 119	5.5 / 141
4C010M141000000	10	14	14	0.668 / 17.0	265 / 394	17.5	329 / 149	6 / 153
4C010M141200000	12	14	14	0.688 / 17.5	300 / 446	17.5	395 / 179	6.2 / 157
4C010M141400000	14	14	14	0.722 / 18.4	341 / 508	17.5	461 / 209	6.5 / 165
4C010M141500000	15	14	14	0.741 / 18.8	361 / 537	17.5	494 / 224	6.7 / 169
4C010M142000000	20	14	14	0.841 / 21.4	462 / 688	17.5	658 / 298	7.6 / 192
4C010M142500000	25	14	14	0.974 / 24.7	599 / 891	15	823 / 373	8.8 / 223
4C010M143000000	30	14	14	1.028 / 26.1	690 / 1027	15	987 / 448	9.3 / 235
4C010M144000000	40	14	14	1.147 / 29.1	889 / 1324	15	1316 / 597	10.3 / 262
4C010M145000000	50	14	14	1.272 / 32.3	1082 / 1609	12.5	1645 / 746	11.4 / 291
4R010M120200000	2	12	14	0.408 / 10.4	104 / 154	20	104 / 47	3.7 / 93
4R010M120300000	3	12	14	0.443 / 11.3	132 / 196	20	157 / 71	4 / 101
4R010M120400000	4	12	14	0.480 / 12.2	160 / 239	16	209 / 95	4.3 / 110
4R010M120500000	5	12	14	0.514 / 13.1	192 / 285	16	261 / 118	4.6 / 117
4R010M120600000	6	12	14	0.589 / 15.0	240 / 358	16	313 / 142	5.3 / 135
4R010M120700000	7	12	14	0.634 / 16.1	275 / 410	14	365 / 166	5.7 / 145
4R010M120800000	8	12	14	0.681 / 17.3	304 / 453	14	418 / 189	6.1 / 156
4R010M121000000	10	12	14	0.740 / 18.8	359 / 535	14	522 / 237	6.7 / 169
4R010M121200000	12	12	14	0.763 / 19.4	413 / 615	14	626 / 284	6.9 / 174
4R010M121400000	14	12	14	0.802 / 20.4	469 / 698	14	731 / 331	7.2 / 183
4R010M121500000	15	12	14	0.823 / 20.9	498 / 741	14	783 / 355	7.4 / 188
4R010M122000000	20	12	14	0.976 / 24.8	677 / 1008	14	1044 / 474	8.8 / 223
4R010M122500000	25	12	14	1.082 / 27.5	830 / 1235	12	1305 / 592	9.7 / 247
4R010M123000000	30	12	14	1.144 / 29.1	962 / 1432	12	1566 / 710	10.3 / 261
4R010M124000000	40	12	14	1.278 / 32.5	1251 / 1861	12	2088 / 947	11.5 / 292
4R010M124000000	40	12	14	1.278 / 32.5	1251 / 1861	12	2088 / 947	11.5 / 292
4R010M125000000	50	12	14	1.420 / 36.1	1530 / 2277	10	2610 / 1184	12.8 / 325

*Ampacity value based on Canadian Electrical Code, Version 2018, Table-2. Values are corrected according to Table-5C for number of Conductors.

CSA Unarmoured Tray Control, Multi-Conductor, 600 V

PART NUMBER	NUMBER OF CONDUCTORS	CONDUCTOR SIZE	GROUND WIRE SIZE	NOMINAL DIAMETER OVERALL CABLE	CABLE WEIGHT	AMPACITY	MAX PULLING TENSION (PULLING EYE)	MIN BEND RADIUS (PULL)
		(AWG/ kcmil)	(AWG/ kcmil)	(in/mm)	(lbs/1000ft) (kg/km)	(30°C ambient)	(lb/kg)	(in/mm)
4R010M100200000	2	10	12	0.458 / 11.6	144 / 215	30	166 / 75	4.1 / 105
4R010M100300000	3	10	12	0.498 / 12.7	184 / 275	30	249 / 113	4.5 / 114
4R010M100400000	4	10	12	0.572 / 14.5	245 / 365	24	332 / 151	5.2 / 131
4R010M100500000	5	10	12	0.611 / 15.5	288 / 429	24	415 / 188	5.5 / 140
4R010M100600000	6	10	12	0.664 / 16.9	338 / 503	24	498 / 226	6 / 152
4R010M100700000	7	10	12	0.717 / 18.2	388 / 578	21	581 / 264	6.5 / 164
4R010M100800000	8	10	12	0.771 / 19.6	433 / 645	21	664 / 301	6.9 / 176
4R010M101000000	10	10	12	0.840 / 21.3	514 / 764	21	830 / 376	7.6 / 192
4R010M101200000	12	10	12	0.906 / 23.0	624 / 928	21	996 / 452	8.2 / 207
4R010M101400000	14	10	12	0.952 / 24.2	712 / 1060	21	1162 / 527	8.6 / 218
4R010M101500000	15	10	12	0.977 / 24.8	755 / 1124	21	1245 / 565	8.8 / 223
4R010M102500000	25	10	12	1.232 / 31.3	1197 / 1781	18	2075 / 941	11.1 / 282
4R010M103000000	30	10	12	1.304 / 33.1	1398 / 2080	18	2490 / 1129	11.7 / 298
4R010M104000000	40	10	12	1.461 / 37.1	1824 / 2714	18	3320 / 1506	13.1 / 334
4R010M105000000	50	10	12	1.626 / 41.3	2238 / 3330	15	4150 / 1882	14.6 / 372

*Ampacity value based on Canadian Electrical Code, Version 2018, Table-2. Values are corrected according to Table-5C for number of Conductors.