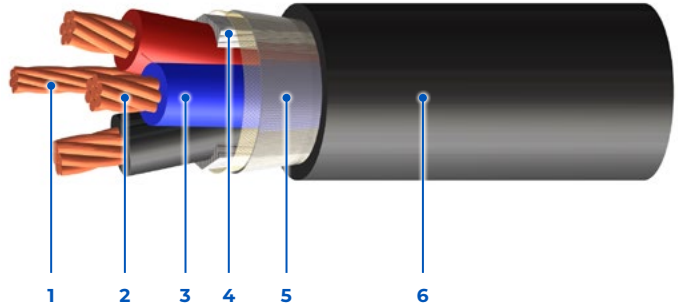


CSA LSZH Unarmoured Tray Power, Multi-Conductor, 1000 V

LSZH Tray Power cables are suitable for use in ventilated, non-ventilated and ladder type cable trays, direct burial, raceways and for exposed or concealed wiring in wet, damp or dry locations in -40°C (-40°F) environments. Applicable for use in Utilities, Industrial and Commercial applications.

Standards:



- 1 – Grounding/Bonding Conductor
- 2 – Stranded Bare (ASTM B8) Annealed Copper Conductors
- 3 – XLPE (RW90 Rated) Insulated Conductors

- 4 – Polypropylene Fillers
- 5 – Fiberglass Tape
- 6 – LSZH Protective Jacket

Product Construction

Insulation:

- XLPE (RW90 rated) rated: 90°C wet/dry

Shielding (foil-free edge):

- OS (optional)

Jacket:

- LSZH outer black jacket rated: 90°C

Available in:

- Custom insulation/ jacket colours
- Composite constructions

Certification/Compliances

- CSA C22.2 NO. 230, Tray Cables (TC)
- CSA C22.2 NO. 239, Control & Instrumentation Cables (Type CIC)
- CSA C22.2 NO. 38, Thermoset Insulated Wires & Cables (XLPE)
- CSA FT4,- ST1 Halogen Free & UL 1685 FT4, Vertical Tray Flame Test rated
- IEEE 383 & 1202 (70,000 BTU/hr), Vertical Flame Test rated
- ICEA T-30-520 (70,000 BTU/hr), Vertical Flame Test rated
- XLPE (RW90 rated), 90°C wet/dry
- UV sunlight resistant "SUN RES" (all colours)
- Direct burial rated

- -40°C cold bend rated
- -25°C cold impact rated
- Rated for use in hazardous locations:
 - Class 1 Zone 0 (Intrinsically Safe cables only)
 - Class 1 Zone 2 (Div 2)

Colour Coding

- 2C – Black & white
- 3C – Black, red & blue
- 4C – Black, red, blue & white
- 5C to 50C – Black # coded

1000 V

Voltage (Optional: 600 V)

CSA Type TC

Power

CSA LSZH Unarmoured Tray Power, Multi-Conductor, 1000 V

PART NUMBER	NUMBER OF CONDUCTORS	CONDUCTOR SIZE (AWG/kcmil)	GROUND WIRE SIZE (AWG/kcmil)	NOMINAL DIAMETER OVERALL CABLE (in/mm)	CABLE WEIGHT (lbs/1000ft) (kg/km)	AMPACITY (30°C ambient)	MAX PULLING TENSION (PULLING EYE) (lb/kg)	MIN BEND RADIUS (PULL) (in/mm)
40010M140200800	2	14	14	0.432 / 10.97	104 / 155	25	66 / 30	3.9 / 99
40010M120200800	2	12	14	0.468 / 11.89	128 / 190	30	104 / 47	4.2 / 107
40010M100200800	2	10	12	0.518 / 13.16	170 / 253	40	166 / 75	4.7 / 118
40010M080200800	2	8	10	0.606 / 15.39	257 / 382	55	265 / 120	5.5 / 139
40010M060200800	2	6	8	0.744 / 18.9	382 / 568	75	419 / 190	6.7 / 170
40010M040200800	2	4	8	0.838 / 21.29	513 / 764	95	668 / 303	7.5 / 192
40010M030200800	2	3	6	0.932 / 23.67	673 / 1001	115	842 / 382	8.4 / 213
40010M020200800	2	2	6	0.994 / 25.25	783 / 1165	130	1062 / 482	8.9 / 227
40010M010240800	2	1	6	1.152 / 29.26	977 / 1454	145	1339 / 607	10.4 / 263
40010M1/0240800	2	1/0	6	1.232 / 31.29	1145 / 1704	170	1690 / 766	11.1 / 282
40010M2/0240800	2	2/0	6	1.318 / 33.48	1364 / 2030	195	2130 / 966	11.9 / 301
40010M3/0240800	2	3/0	4	1.42 / 36.07	1675 / 2492	225	2671 / 1212	12.8 / 325
40010M4/0240800	2	4/0	4	1.532 / 38.91	2015 / 2999	260	3386 / 1536	13.8 / 350
40010M140300800	3	14	14	0.47 / 11.93	126 / 188	25	99 / 45	4.2 / 107
40010M120300800	3	12	14	0.51 / 12.95	159 / 237	30	157 / 71	4.6 / 117
40010M100300800	3	10	12	0.595 / 15.12	234 / 349	40	249 / 113	5.4 / 136
40010M080300800	3	8	10	0.66 / 16.76	325 / 484	55	397 / 180	5.9 / 151
40010M060300800	3	6	8	0.813 / 20.66	490 / 730	75	629 / 285	7.3 / 186
40010M040300800	3	4	8	0.93 / 23.63	710 / 1056	95	1002 / 454	8.4 / 213
40010M030300800	3	3	6	0.988 / 25.11	862 / 1283	115	1263 / 573	8.9 / 226
40010M020300800	3	2	6	1.055 / 26.8	1022 / 1521	130	1593 / 723	9.5 / 241
40010M010340800	3	1	6	1.225 / 31.11	1278 / 1901	145	2009 / 911	11 / 280
40010M1/0340800	3	1/0	6	1.311 / 33.3	1516 / 2256	170	2534 / 1150	11.8 / 300
40010M2/0340800	3	2/0	6	1.403 / 35.65	1819 / 2707	195	3194 / 1449	12.6 / 321
40010M3/0340800	3	3/0	4	1.513 / 38.43	2257 / 3359	225	4007 / 1818	13.6 / 346
40010M4/0340800	3	4/0	4	1.633 / 41.49	2745 / 4085	260	5078 / 2304	14.7 / 373
40010M140400800	4	14	14	0.51 / 12.96	150 / 223	25	132 / 60	4.6 / 117
40010M120400800	4	12	14	0.585 / 14.86	213 / 317	30	209 / 95	5.3 / 134
40010M100400800	4	10	12	0.647 / 16.43	284 / 423	40	332 / 151	5.8 / 148
40010M080400800	4	8	10	0.719 / 18.26	397 / 590	55	529 / 240	6.5 / 164

*Ampacity value based on Canadian Electrical Code, Version 2018, Table-2. Ampacity of 4 conductors cable is based on 3 current-carrying conductors and 1 neutral.

CSA LSZH Unarmoured Tray Power, Multi-Conductor, 1000 V

PART NUMBER	NUMBER OF CONDUCTORS	CONDUCTOR SIZE <i>(AWG/kcmil)</i>	GROUND WIRE SIZE <i>(AWG/kcmil)</i>	NOMINAL DIAMETER OVERALL CABLE <i>(in/mm)</i>	CABLE WEIGHT <i>(lbs/1000ft) (kg/km)</i>	AMPACITY <i>(30°C ambient)</i>	MAX PULLING TENSION (PULLING EYE) <i>(lb/kg)</i>	MIN BEND RADIUS (PULL) <i>(in/mm)</i>
40010M060400800	4	6	8	0.929 / 23.59	646 / 962	75	839 / 380	8.4 / 212
40010M040400800	4	4	8	1.045 / 26.56	888 / 1322	95	1336 / 606	9.4 / 239
40010M030400800	4	3	6	1.112 / 28.26	1084 / 1614	115	1684 / 764	10 / 254
40010M020400800	4	2	6	1.189 / 30.21	1295 / 1928	130	2124 / 964	10.7 / 272
40010M010440800	4	1	6	1.351 / 34.32	1622 / 2414	145	2678 / 1215	12.2 / 309
40010M1/0440800	4	1/0	6	1.448 / 36.77	1924 / 2863	170	3379 / 1533	13 / 331
40010M2/0440800	4	2/0	6	1.551 / 39.4	2351 / 3499	195	4259 / 1932	14 / 355
40010M3/0440800	4	3/0	4	1.674 / 42.52	2889 / 4299	225	5343 / 2423	15.1 / 383
40010M4/0440800	4	4/0	4	1.869 / 47.48	3663 / 5451	230	6771 / 3071	16.8 / 427

*Ampacity value based on Canadian Electrical Code, Version 2018, Table-2. Ampacity of 4 conductors cable is based on 3 current-carrying conductors and 1 neutral.