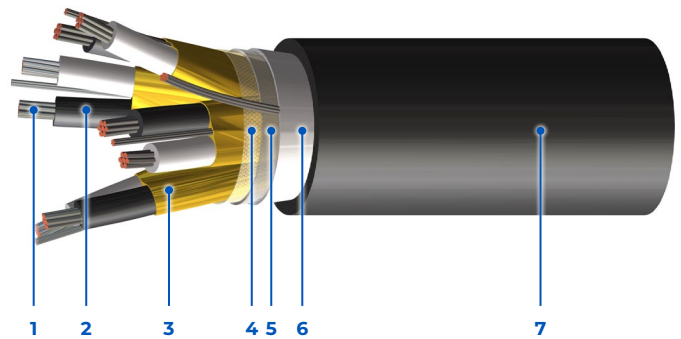


# CSA LSZH Unarmoured Tray Instrumentation, 300 V

LSZH Tray Instrumentation cables are used to convert analogue or digital signals. Used when there is a possibility for crosstalk between pairs/triads. Cable can be installed in raceways, direct burial applications and in outdoor exposed Industrial applications.

## Standards:



1 – Stranded Bare Copper Conductors (Tin-coated Available)

2 – Halogen Free XLPE (RW90 Rated) Insulated Conductors

3 – Individual Shield & Overall Shielded Pairs/Triads with Tin-coated Copper Drain Wire

4 – Fiberglass Tape

5 – Polyester Separator Tape

6 – Overall Aluminum/Mylar Shield with Tin-coated Copper Drain Wire

7 – LSZH Outer Protective Jacket

## Product Construction

### Insulation:

- XLPE (RW90 rated) rated: 90°C wet/dry

### Shielding (foil-free edge):

- ISOS (standard)
- OS (optional)

### Jacket:

- LSZH outer black jacket rated: 90°C

### Available in:

- Custom insulation/jacket colours
- Composite constructions

## Certification/Compliances

- CSA C22.2 NO. 230, Tray Cables (TC)
- CSA C22.2 NO. 239, Control & Instrumentation Cables (Type CIC)
- CSA C22.2 NO. 38, Thermoset Insulated Wires & Cables (XLPE)
- CSA FT4,- ST1 Halogen Free & UL 1685 FT4, Vertical Tray Flame Test rated
- IEEE 383 & 1202 (70,000 BTU/hr), Vertical Flame Test rated
- ICEA T-30-520 (70,000 BTU/hr), Vertical Flame Test rated
- XLPE (RW90 rated), 90°C wet/dry
- UV sunlight resistant "SUN RES" (all colours)
- Direct burial rated
- -40°C cold bend rated
- -25°C cold impact rated

- Rated for use in hazardous locations:

- Class 1 Zone 0 (Intrinsically Safe cables only)
- Class I Zone 2 (Div 2)
- TC-BCD gas groups rated

## Colour Coding

- Pairs – Red, yellow – for KX type
- Pairs – Red, white – for JX type
- Pairs – Red, purple – for EX type
- Pairs – Red, black – for SX/RX type
- Pairs – Red, orange – for NX type
- Pairs – Red, blue – for NX type

# 300 V

Voltage  
(Optional: 600 V)

# CSA Type CIC

Instrumentation

# CSA LSZH Unarmoured Tray Instrumentation, 300 V

## Pairs

PART NUMBER	NUMBER OF PAIRS	CONDUCTOR SIZE	NORMAL DIAMETERS OVERALL CABLE	CABLE WEIGHT	MAX PULLING TENSION (PULLING EYE)	MIN BEND RADIUS (PULL)
		(AWG/kcmil)	(in/mm)	(lbs/1000ft) (kg/km)	(lb/kg)	(in/mm)
42021M160110800	1	16	0.327 / 8.31	58 / 86	41 / 19	5.9 / 150
42022M160210800	2	16	0.479 / 12.16	118 / 175	82 / 37	8.6 / 219
42022M160410800	4	16	0.588 / 14.94	186 / 277	165 / 75	10.6 / 269
42022M160610800	6	16	0.7 / 17.78	261 / 388	247 / 112	12.6 / 320
42022M160810800	8	16	0.758 / 19.26	319 / 475	330 / 150	13.7 / 347
42022M161210800	12	16	0.961 / 24.42	487 / 725	494 / 224	17.3 / 440
42022M161610800	16	16	1.068 / 27.13	607 / 903	659 / 299	19.2 / 488
42022M162410800	24	16	1.319 / 33.51	866 / 1289	989 / 449	23.7 / 603
42022M163610800	36	16	1.516 / 38.52	1206 / 1795	1483 / 673	27.3 / 693
42022M180210800	2	18	0.439 / 11.16	97 / 145	52 / 24	7.9 / 201
42022M180410800	4	18	0.51 / 12.95	134 / 199	104 / 47	9.2 / 233
42022M180610800	6	18	0.64 / 16.25	207 / 308	156 / 71	11.5 / 293
42022M180810800	8	18	0.692 / 17.57	250 / 372	208 / 94	12.5 / 316
42022M181210800	12	18	0.837 / 21.26	348 / 517	312 / 142	15.1 / 383
42022M181610800	16	18	0.972 / 24.69	472 / 703	416 / 189	17.5 / 444
42022M182410800	24	18	1.196 / 30.38	670 / 998	624 / 283	21.5 / 547
42022M183610800	36	18	1.372 / 34.85	921 / 1371	936 / 425	24.7 / 627
42021M200110800	1	20	0.283 / 7.19	41 / 61	16 / 7	5.1 / 129
42022M200210800	2	20	0.406 / 10.32	81 / 121	32 / 15	7.3 / 186
42022M200410800	4	20	0.47 / 11.94	109 / 163	64 / 29	8.5 / 215
42022M200610800	6	20	0.59 / 14.98	171 / 254	96 / 44	10.6 / 270
42022M200810800	8	20	0.636 / 16.16	204 / 304	128 / 58	11.5 / 291
42022M201210800	12	20	0.767 / 19.48	281 / 418	192 / 87	13.8 / 351
42022M201610800	16	20	0.892 / 22.66	382 / 569	256 / 116	16.1 / 408
42022M202410800	24	20	1.093 / 27.77	537 / 799	384 / 174	19.7 / 500
42022M203610800	36	20	1.251 / 31.79	729 / 1084	576 / 261	22.5 / 572

# CSA LSZH Unarmoured Tray Instrumentation, 300 V

## Triads

PART NUMBER	NUMBER OF PAIRS	CONDUCTOR SIZE	NORMAL DIAMETERS OVERALL CABLE	CABLE WEIGHT	MAX PULLING TENSION (PULLING EYE)	MIN BEND RADIUS (PULL)
		(AWG/kcmil)	(in/mm)	(lbs/1000ft) (kg/km)	(lb/kg)	(in/mm)
42031M160110800	1	16	0.343 / 8.72	71 / 106	62 / 28	6.2 / 157
42032M160210800	2	16	0.572 / 14.54	170 / 254	124 / 56	10.3 / 262
42032M160410800	4	16	0.665 / 16.89	244 / 364	247 / 112	12 / 304
42032M160610800	6	16	0.795 / 20.2	347 / 516	371 / 168	14.3 / 364
42032M160810800	8	16	0.903 / 22.94	469 / 697	494 / 224	16.3 / 413
42032M161210800	12	16	1.093 / 27.76	660 / 982	742 / 336	19.7 / 500
42032M161610800	16	16	1.217 / 30.91	823 / 1224	989 / 449	21.9 / 556
42032M162410800	24	16	1.509 / 38.34	1186 / 1766	1483 / 673	27.2 / 690
42031M180110800	1	18	0.317 / 8.06	57 / 85	39 / 18	5.7 / 145
42032M180210800	2	18	0.496 / 12.59	121 / 180	78 / 35	8.9 / 227
42032M180410800	4	18	0.608 / 15.44	191 / 284	156 / 71	10.9 / 278
42032M180610800	6	18	0.724 / 18.39	268 / 399	234 / 106	13 / 331
42032M180810800	8	18	0.784 / 19.92	327 / 487	312 / 142	14.1 / 359
42032M181210800	12	18	0.993 / 25.23	503 / 748	468 / 212	17.9 / 454
42032M181610800	16	18	1.104 / 28.04	623 / 927	624 / 283	19.9 / 505
42032M182410800	24	18	1.364 / 34.65	889 / 1323	936 / 425	24.6 / 624
42031M200110800	1	20	0.296 / 7.52	48 / 71	24 / 11	5.3 / 135
42032M200210800	2	20	0.458 / 11.62	101 / 150	48 / 22	8.2 / 209
42032M200210800	2	20	0.458 / 11.62	101 / 150	48 / 22	8.2 / 209
42032M200210800	2	20	0.458 / 11.62	101 / 150	48 / 22	8.2 / 209
42032M200810800	8	20	0.721 / 18.31	261 / 388	192 / 87	13 / 330
42032M201210800	12	20	0.913 / 23.19	401 / 597	288 / 131	16.4 / 417
42032M201610800	16	20	1.012 / 25.71	492 / 732	384 / 174	18.2 / 463
42032M202410800	24	20	1.247 / 31.67	696 / 1036	576 / 261	22.4 / 570