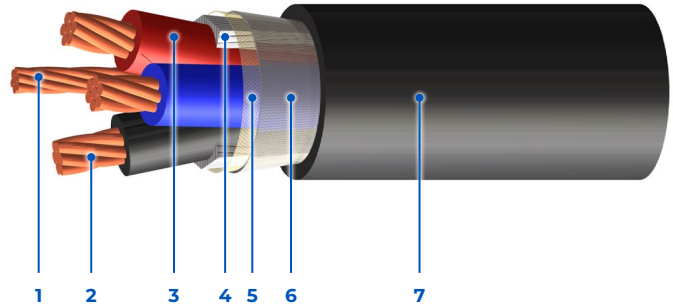


# CSA LSZH Unarmoured Tray Control, Multi-Conductor, 600 V

LSZH Tray Control cables are suitable for use in ventilated, non-ventilated and ladder type cable trays, direct burial, raceways and for exposed or concealed wiring in wet, damp or dry locations in -40°C (-40°F) environments. Applicable for use in Utilities, Industrial and Commercial applications.

## Standards:



- 1 – Grounding Conductor
- 2 – Stranded Bare (ASTM B8) Annealed Copper Conductors
- 3 – XLPE (RW90 Rated) Insulated Conductors
- 4 – Polypropylene Fillers
- 5 – Fiberglass Tape
- 6 – Polyester Separator Tape
- 7 – LSZH Outer Protective Jacket

## Product Construction

### Insulation:

- XLPE (RW90 rated) rated: 90°C wet/dry

### Shielding (foil-free edge):

- OS (optional)

### Jacket:

- LSZH outer black jacket rated: 90°C

### Available in:

- Custom insulation/ jacket colours
- Composite constructions

## Certification/Compliances

- CSA C22.2 NO. 230, Tray Cables (TC)
- CSA C22.2 NO. 239, Control & Instrumentation Cables (Type CIC)
- CSA C22.2 NO. 38, Thermoset Insulated Wires & Cables (XLPE)
- CSA FT4,- ST1 Halogen Free & UL 1685 FT4, Vertical Tray Flame Test rated
- IEEE 383 & 1202 (70,000 BTU/hr), Vertical Flame Test rated
- ICEA T-30-520 (70,000 BTU/hr), Vertical Flame Test rated
- XLPE (RW90 rated), 90°C wet/dry

- UV sunlight resistant “SUN RES” (all colours)
- Direct burial rated
- -40°C cold bend rated
- -25°C cold impact rated
- Rated for use in hazardous locations:
  - Class 1 Zone 0 (Intrinsically Safe cables only)
  - Class I Zone 2 (Div 2)

## Colour Coding

- 2C – Black & white
- 3C – Black, red & blue
- 4C – Black, red, blue & white
- 5C-50C – Black # coded

## 600 V

Voltage (Optional: 1000 V)

## CSA Type TC

Control

# CSA LSZH Unarmoured Tray Control, Multi-Conductor, 600 V

PART NUMBER	NUMBER OF CONDUCTORS	CONDUCTOR SIZE	GROUND WIRE SIZE	NOMINAL DIAMETER OVERALL CABLE	CABLE WEIGHT	AMPACITY	MAX PULLING TENSION (PULLING EYE)	MIN BEND RADIUS (PULL)
		(AWG/ kcmil)	(AWG/ kcmil)	(in/mm)	(lbs/1000ft) (kg/km)	(30°C ambient)	(lb/kg)	(in/mm)
49010M140200800	2	14	14	0.372 / 9.45	89 / 133	25	66 / 30	3.3 / 85
49010M140300800	3	14	14	0.403 / 10.23	107 / 159	25	99 / 45	3.6 / 92
49010M140400800	4	14	14	0.436 / 11.07	130 / 193	20	132 / 60	3.9 / 100
49010M140500800	5	14	14	0.465 / 11.81	146 / 218	20	165 / 75	4.2 / 106
49010M140600800	6	14	14	0.505 / 12.83	170 / 253	20	197 / 90	4.5 / 115
49010M140700800	7	14	14	0.575 / 14.6	212 / 315	17.5	230 / 104	5.2 / 131
49010M140800800	8	14	14	0.616 / 15.65	237 / 353	17.5	263 / 119	5.5 / 141
49010M141000800	10	14	14	0.668 / 16.97	275 / 410	17.5	329 / 149	6 / 153
49010M141200800	12	14	14	0.688 / 17.48	309 / 460	17.5	395 / 179	6.2 / 157
49010M141400800	14	14	14	0.722 / 18.35	351 / 522	17.5	461 / 209	6.5 / 165
49010M141500800	15	14	14	0.741 / 18.83	371 / 551	17.5	494 / 224	6.7 / 169
49010M142000800	20	14	14	0.841 / 21.36	470 / 699	17.5	658 / 298	7.6 / 192
49010M142500800	25	14	14	0.974 / 24.74	613 / 913	15	823 / 373	8.8 / 223
49010M143000800	30	14	14	1.028 / 26.12	703 / 1046	15	987 / 448	9.3 / 235
49010M144000800	40	14	14	1.147 / 29.13	898 / 1336	15	1316 / 597	10.3 / 262
49010M145000800	50	14	14	1.272 / 32.31	1087 / 1617	12.5	1645 / 746	11.4 / 291
49010M120200800	2	12	14	0.408 / 10.36	111 / 166	30	104 / 47	3.7 / 93
49010M120300800	3	12	14	0.443 / 11.25	140 / 208	30	157 / 71	4 / 101
49010M120400800	4	12	14	0.48 / 12.2	168 / 250	24	209 / 95	4.3 / 110
49010M120500800	5	12	14	0.514 / 13.05	200 / 297	24	261 / 118	4.6 / 117
49010M120600800	6	12	14	0.589 / 14.96	252 / 375	24	313 / 142	5.3 / 135
49010M120700800	7	12	14	0.634 / 16.11	287 / 427	21	365 / 166	5.7 / 145
49010M120800800	8	12	14	0.681 / 17.3	316 / 470	21	418 / 189	6.1 / 156
49010M121000800	10	12	14	0.74 / 18.8	371 / 553	21	522 / 237	6.7 / 169
49010M121200800	12	12	14	0.763 / 19.37	424 / 631	21	626 / 284	6.9 / 174
49010M121400800	14	12	14	0.802 / 20.37	479 / 713	21	731 / 331	7.2 / 183
49010M121500800	15	12	14	0.823 / 20.91	507 / 755	21	783 / 355	7.4 / 188
49010M122000800	20	12	14	0.976 / 24.8	693 / 1032	21	1044 / 474	8.8 / 223
49010M122500800	25	12	14	1.082 / 27.48	845 / 1257	18	1305 / 592	9.7 / 247
49010M123000800	30	12	14	1.144 / 29.06	975 / 1451	18	1566 / 710	10.3 / 261
49010M124000800	40	12	14	1.278 / 32.47	1258 / 1872	18	2088 / 947	11.5 / 292
49010M125000800	50	12	14	1.42 / 36.08	1533 / 2281	15	2610 / 1184	12.8 / 325

\*Ampacity value based on Canadian Electrical Code, Version 2018, Table-2. Values are corrected according to Table-5C for number of Conductors.

# CSA LSZH Unarmoured Tray Control, Multi-Conductor, 600 V

PART NUMBER	NUMBER OF CONDUCTORS	CONDUCTOR SIZE	GROUND WIRE SIZE	NOMINAL DIAMETER OVERALL CABLE	CABLE WEIGHT	AMPACITY	MAX PULLING TENSION (PULLING EYE)	MIN BEND RADIUS (PULL)
		(AWG/ kcmil)	(AWG/ kcmil)	(in/mm)	(lbs/1000ft) (kg/km)	(30°C ambient)	(lb/kg)	(in/mm)
49010M100200800	2	10	12	0.458 / 11.63	153 / 227	40	166 / 75	4.1 / 105
49010M100300800	3	10	12	0.498 / 12.66	192 / 286	40	249 / 113	4.5 / 114
49010M100400800	4	10	12	0.572 / 14.54	257 / 383	32	332 / 151	5.2 / 131
49010M100500800	5	10	12	0.611 / 15.52	300 / 447	32	415 / 188	5.5 / 140
49010M100600800	6	10	12	0.664 / 16.87	350 / 521	32	498 / 226	6 / 152
49010M100700800	7	10	12	0.717 / 18.21	401 / 597	28	581 / 264	6.5 / 164
49010M100800800	8	10	12	0.771 / 19.59	446 / 664	28	664 / 301	6.9 / 176
49010M101000800	10	10	12	0.84 / 21.34	526 / 783	28	830 / 376	7.6 / 192
49010M101200800	12	10	12	0.906 / 23.02	642 / 956	28	996 / 452	8.2 / 207
49010M101400800	14	10	12	0.952 / 24.18	731 / 1087	28	1162 / 527	8.6 / 218
49010M101400800	14	10	12	0.952 / 24.18	731 / 1087	28	1162 / 527	8.6 / 218
49010M101500800	15	10	12	0.977 / 24.81	773 / 1151	28	1245 / 565	8.8 / 223
49010M101500800	15	10	12	0.977 / 24.81	773 / 1151	28	1245 / 565	8.8 / 223
49010M102500800	25	10	12	1.232 / 31.29	1211 / 1802	24	2075 / 941	11.1 / 282
49010M104000800	40	10	12	1.461 / 37.1	1828 / 2720	24	3320 / 1506	13.1 / 334
49010M105000800	50	10	12	1.626 / 41.31	2236 / 3327	20	4150 / 1882	14.6 / 372

\*Ampacity value based on Canadian Electrical Code, Version 2018, Table-2. Values are corrected according to Table-5C for number of Conductors.