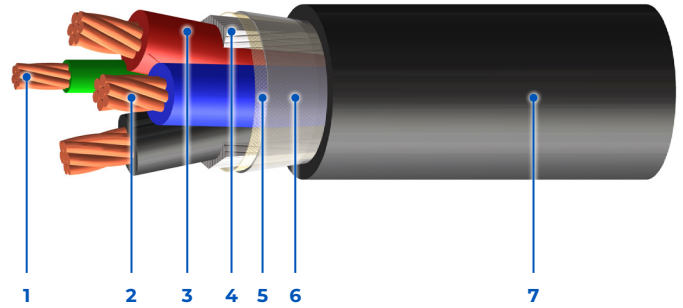


CSA LSZH Unarmoured Tray Control, Multi-Conductor, 300 V

LSZH Tray Control cables are suitable for use in ventilated, non-ventilated and ladder type cable trays, direct burial, raceways and for exposed or concealed wiring in wet, damp or dry locations in -40°C (-40°F) environments. Applicable for use in Utilities, Industrial and Commercial applications.

Standards:



1 – Insulated Grounding Conductor

2 – Stranded Bare Copper Conductors (Tin-coated Available)

3 – Halogen Free XLPE (RW90 Rated) Insulated Conductors

4 – Polypropylene Fillers

5 – Fiberglass Tape

6 – Polyester Separator Tape

7 – LSZH Outer Protective Jacket

Product Construction

Insulation:

- XLPE (RW90 rated) rated: 90°C wet/dry

Shielding (foil-free edge):

- OS (optional)

Jacket:

- LSZH outer black jacket rated: 90°C

Available in:

- Custom insulation/ jacket colours
- Composite constructions

Certification/Compliances

- CSA C22.2 NO. 230, Tray Cables (TC)
- CSA C22.2 NO. 239, Control & Instrumentation Cables (Type CIC)
- CSA C22.2 NO. 38, Thermoset Insulated Wires & Cables (XLPE)
- CSA FT4,- ST1 Halogen Free & UL 1685 FT4, Vertical Tray Flame Test rated
- IEEE 383 & 1202 (70,000 BTU/hr), Vertical Flame Test rated
- ICEA T-30-520 (70,000 BTU/hr), Vertical Flame Test rated
- XLPE (RW90) rated, 90°C wet/dry

- UV sunlight resistant "SUN RES" (all colours)
- Direct burial rated
- -40°C cold bend rated
- -25°C cold impact rated
- Rated for use in hazardous locations:
 - Class 1 Zone 0 (Intrinsically Safe cables only)
 - Class I Zone 2 (Div 2)

Colour Coding

- 2C – Black & white
- 3C – Black, red & blue
- 4C – Black, red, blue & white
- 5C-50C – Black # coded

300 V

Voltage
(Optional: 600 V)

CSA Type TC

Control

CSA LSZH Unarmoured Tray Control, Multi-Conductor, 300 V

PART NUMBER	NUMBER OF CONDUCTORS	CONDUCTOR SIZE	GROUND WIRE SIZE	NORMAL DIAMETERS OVERALL CABLE	CABLE WEIGHT	AMPACITY	MAX PULLING TENSION (PULLING EYE)	MIN BEND RADIUS (PULL)
		(AWG/ kcmil)	(AWG/ kcmil)	(in/mm)	(lbs/1000ft) (kg/km)	(30°C ambient)	(lb/kg)	(in/mm)
42010M20020080G	2	20	20	0.291 / 7.39	44 / 65	3.5	24 / 11	2.6 / 66
42010M20030080G	3	20	20	0.313 / 7.96	51 / 77	3.5	32 / 15	2.8 / 72
42010M20040080G	4	20	20	0.338 / 8.59	61 / 91	2.8	40 / 18	3.0/77
42010M20050080G	5	20	20	0.364 / 9.25	70 / 104	2.8	48 / 22	3.3 / 83
42010M20060080G	6	20	20	0.364 / 9.25	74 / 110	2.45	56 / 25	3.3 / 83
42010M20080080G	8	20	20	0.416 / 10.58	93 / 139	2.45	72 / 33	3.7 / 95
42010M20100080G	10	20	20	0.45 / 11.43	107 / 159	2.45	88 / 40	4 / 103
42010M20120080G	12	20	20	0.471 / 11.96	118 / 175	2.45	104 / 47	4.2/108
42010M20150080G	15	20	20	0.51 / 12.96	139 / 206	2.45	128 / 58	4.6/117
42010M20200080G	20	20	20	0.592 / 15.03	190 / 283	2.45	168 / 76	5.3/135
42010M20250080G	25	20	20	0.652 / 16.56	226 / 337	2.1	208 / 94	5.9/149
42010M20300080G	30	20	20	0.699 / 17.76	258 / 384	2.1	248 / 112	6.3/160
42010M20400080G	40	20	20	0.78 / 19.82	325 / 483	2.1	328 / 149	7 / 178
42010M20500080G	50	20	20	0.845 / 21.46	384 / 572	1.75	408 / 185	7.6/193
42010M18020080G	2	18	18	0.312 / 7.93	53 / 79	5	39 / 18	2.8 / 71
42010M18030080G	3	18	18	0.337 / 8.57	63 / 94	5	52 / 24	3.0/77
42010M18040080G	4	18	18	0.365 / 9.28	76 / 114	4	65 / 29	3.3 / 83
42010M18050080G	5	18	18	0.394 / 10.01	88 / 131	4	78 / 35	3.5 / 90
42010M18060080G	6	18	18	0.394 / 10.01	93 / 139	3.5	91 / 41	3.5 / 90
42010M18080080G	8	18	18	0.453 / 11.49	118 / 175	3.5	117 / 53	4.1/103
42010M18100080G	10	18	18	0.49 / 12.45	136 / 203	3.5	143 / 65	4.4 / 112
42010M18120080G	12	18	18	0.513 / 13.03	153 / 227	3.5	169 / 77	4.6/117
42010M18150080G	15	18	18	0.587 / 14.91	200 / 297	3.5	208 / 94	5.3/134
42010M18200080G	20	18	18	0.645 / 16.38	246 / 366	3.5	273 / 124	5.8/147
42010M18250080G	25	18	18	0.712 / 18.08	295 / 439	3	338 / 153	6.4/163
42010M18300080G	30	18	18	0.765 / 19.43	338 / 503	3	403 / 183	6.9/175
42010M18400080G	40	18	18	0.895 / 22.74	468 / 696	3	533 / 242	8.1/ 205
42010M18500080G	50	18	18	0.967 / 24.56	554 / 825	2.5	663 / 301	8.7 / 221
42010M16020080G	2	16	16	0.338 / 8.59	71 / 105	10	62 / 28	3.0/77
42010M16030080G	3	16	16	0.366 / 9.3	82 / 122	10	82 / 37	3.3 / 84
42010M16040080G	4	16	16	0.398 / 10.1	97 / 145	8	103 / 47	3.6 / 91
42010M16050080G	5	16	16	0.43 / 10.92	113 / 168	8	124 / 56	3.9 / 98

*Ampacity value based on Canadian Electrical Code, Version 2018, Table-2 and Table-57. Values are corrected according to Table-5C and Table-57 for number of Conductors.

CSA LSZH Unarmoured Tray Control, Multi-Conductor, 300 V

PART NUMBER	NUMBER OF CONDUCTORS	CONDUCTOR SIZE	GROUND WIRE SIZE	NORMAL DIAMETERS OVERALL CABLE	CABLE WEIGHT	AMPACITY	MAX PULLING TENSION (PULLING EYE)	MIN BEND RADIUS (PULL)
		(AWG/ kcmil)	(AWG/ kcmil)	(in/mm)	(lbs/1000ft) (kg/km)	(30°C ambient)	(lb/kg)	(in/mm)
42010M16060080G	6	16	16	0.43 / 10.92	122 / 181	7	144 / 65	3.9 / 98
42010M16080080G	8	16	16	0.496 / 12.6	155 / 230	7	185 / 84	4.5 / 113
42010M16100080G	10	16	16	0.568 / 14.43	201 / 299	7	227 / 103	5.1 / 130
42010M16120080G	12	16	16	0.594 / 15.09	226 / 336	7	268 / 121	5.3 / 136
42010M16150080G	15	16	16	0.644 / 16.35	264 / 392	7	330 / 150	5.8 / 147
42010M16200080G	20	16	16	0.708 / 17.99	330 / 491	7	433 / 196	6.4 / 162
42010M16250080G	25	16	16	0.784 / 19.91	398 / 592	6	536 / 243	7.1 / 179
42010M16300080G	30	16	16	0.843 / 21.42	460 / 685	6	639 / 290	7.6 / 193
42010M16400080G	40	16	16	0.985 / 25.02	628 / 935	6	845 / 383	8.9 / 225
42010M16500080G	50	16	16	1.066 / 27.07	754 / 1122	5	1051 / 477	9.6 / 244
42010M14020080G	2	14	14	0.366 / 9.3	88 / 132	25	99 / 45	3.3 / 84
42010M14030080G	3	14	14	0.398 / 10.1	109 / 162	25	132 / 60	3.6 / 91
42010M14040080G	4	14	14	0.433 / 10.99	125 / 187	20	165 / 75	3.9 / 99
42010M14050080G	5	14	14	0.469 / 11.91	147 / 218	20	197 / 90	4.2 / 107
42010M14060080G	6	14	14	0.469 / 11.91	160 / 238	17.5	230 / 104	4.2 / 107
42010M14080080G	8	14	14	0.573 / 14.55	224 / 333	17.5	296 / 134	5.2 / 131
42010M14100080G	10	14	14	0.62 / 15.75	262 / 389	17.5	362 / 164	5.6 / 142
42010M14120080G	12	14	14	0.649 / 16.49	297 / 441	17.5	428 / 194	5.8 / 148
42010M14150080G	15	15	14	0.705 / 17.9	351 / 522	17.5	526 / 239	6.3 / 161
42010M14200080G	20	20	14	0.777 / 19.74	442 / 658	17.5	691 / 313	7 / 178
42010M14250080G	25	25	14	0.902 / 22.91	574 / 855	15	855 / 388	8.1 / 206
42010M14300080G	30	30	14	0.969 / 24.6	665 / 990	15	1020 / 463	8.7 / 221
42010M14400080G	40	40	14	1.082 / 27.49	847 / 1261	15	1349 / 612	9.7 / 247
42010M14500080G	50	50	14	1.173 / 29.8	1021 / 1520	12.5	1678 / 761	10.6 / 268

*Ampacity value based on Canadian Electrical Code, Version 2018, Table-2 and Table-57. Values are corrected according to Table-5C and Table-57 for number of Conductors.