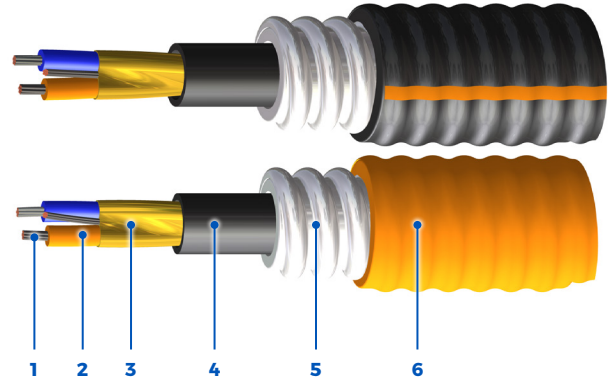


# UL Type PLTC / ITC Armored Fieldbus/Profibus PA, 300 V

Fieldbus is the process industries digital replacement for analog 4-20mA transmission of process variables. Depending mainly on the current requirement of each device, up to 32 sensors and actuators are possible on a Fieldbus link with a maximum transmission distance of 1900m.

## Standards:

PLTC /  
ITC-ER



1 - Stranded Tin-coated  
Copper Pairs

2 - FR XLPE (VW-1 Rated)  
Insulated Pairs (standard)

3 - Individual Aluminum/  
Mylar Shield with Drain  
Wire Over Each Pair

4 - FR PVC Inner  
Protective Jacket

5 - Aluminum Interlocked  
Armor (AIA)

6 - FR PVC Outer  
Protective Jacket

## Product Construction

### Insulation:

- FR XLPE (VW-1 rated)  
rated: 60°C wet/105°C dry

### Shielding (foil-free edge):

- ISOS (standard)
- OS (optional)

### Armor:

- Aluminum Interlocked  
Armor (AIA) (standard)
- Steel Interlocked Armor  
(SIA) (optional)

### Jacket:

- FR PVC outer orange  
jacket (standard for  
Fieldbus) rated:  
90°C to -40°C
- FR PVC outer purple jacket  
(standard for Profibus  
rated: 90°C to -40°C
- Black with integral  
orange stripe (optional)
- Blue for Intrinsically  
Safe applications

- Thermoset  
CPE (optional)
- Thermoplastic  
CPE (optional)
- Thermoplastic  
LSZH (optional)

### Available in:

- Custom insulation/  
jacket colors
- PLTC/ITC-ER with  
CPE jackets

## Certification/ Compliances

- Foundation Fieldbus  
Spec. FF-844, Type "A",H1
- UL 13, Power Limited  
Tray Cable (PLTC)
- UL 2250, Instrumentation  
Tray Cable (ITC)
- UL 44, Thermoset  
Insulated Wires and Cables
- UL 1685/FT4, Vertical Tray  
Flame Test rated (optional)

- IEEE 1202/383 (70,000  
BTU/hr), Vertical Flame  
Test rated (optional)
- ICEA T-30-520 (70,000  
BTU/hr), Vertical Flame  
Test rated
- UV sunlight resistant  
"SUN RES" (all colors)
- Direct burial  
rated (optional)
- 40°C cold bend rated
- Rated for use in hazardous  
locations:
  - Class I Zone 0  
(Intrinsically Safe  
cables only)
  - Class I Zone 2 (Div 2)

## Color Coding

- Blue and Orange  
conductors (standard)

# 300 V

Voltage

# UL Type PLTC / ITC

Fieldbus/Profibus PA

# UL Type PLTC / ITC Armored Fieldbus/Profibus PA, 300 V

PART NUMBER	NUMBER OF PAIRS	CONDUCTOR SIZE <i>(AWG/kcmil)</i>	OD OVER INNER JACKET <i>(in/mm)</i>	NORMAL DIAMETERS		CABLE WEIGHT <i>(lbs/1000ft) (kg/km)</i>	MAX PULLING TENSION (PULLING EYE) <i>(lb/kg)</i>	MIN BEND RADIUS (PULL) <i>(in/mm)</i>
				OVER ARMOR <i>(in/mm)</i>	OVERALL CABLE <i>(in/mm)</i>			
2F621U160105700	1	16	0.357 / 9.1	0.597 / 15.2	0.709 / 18.0	202 / 301	41 / 19	12.8 / 324
2F622U160205700	2	16	0.557 / 14.2	0.797 / 20.3	0.909 / 23.1	337 / 502	82 / 37	16.4 / 416
2F622U160405700	4	16	0.672 / 17.1	0.912 / 23.2	1.024 / 26.0	446 / 663	165 / 75	18.4 / 468
2F622U160605700	6	16	0.807 / 20.5	1.011 / 25.7	1.123 / 28.5	571 / 850	247 / 112	20.2 / 513
2F622U160805700	8	16	0.877 / 22.3	1.081 / 27.5	1.193 / 30.3	668 / 994	330 / 150	21.5 / 545
2F622U161205700	12	16	1.092 / 27.7	1.296 / 32.9	1.408 / 35.8	917 / 1365	494 / 224	25.3 / 644
2F622U161605700	16	16	1.220 / 31.0	1.424 / 36.2	1.536 / 39.0	1104 / 1643	659 / 299	27.6 / 702
2F622U162405700	24	16	1.541 / 39.1	1.745 / 44.3	1.877 / 47.7	1595 / 2373	989 / 449	33.8 / 858
2F621U180105700	1	18	0.313 / 8.0	0.553 / 14.1	0.665 / 16.9	176 / 261	26 / 12	12 / 304
2F622U180205700	2	18	0.485 / 12.3	0.725 / 18.4	0.837 / 21.3	281 / 418	52 / 24	15.1 / 383
2F622U180405700	4	18	0.564 / 14.3	0.804 / 20.4	0.916 / 23.3	346 / 515	104 / 47	16.5 / 419
2F622U180605700	6	18	0.696 / 17.7	0.936 / 23.8	1.048 / 26.6	458 / 681	156 / 71	18.9 / 479
2F622U180805700	8	18	0.754 / 19.2	0.994 / 25.3	1.106 / 28.1	526 / 783	208 / 94	19.9 / 506
2F622U181205700	12	18	0.937 / 23.8	1.141 / 29.0	1.253 / 31.8	698 / 1039	312 / 142	22.6 / 573
2F622U181805700	18	18	1.102 / 28.0	1.306 / 33.2	1.418 / 36.0	906 / 1348	468 / 212	25.5 / 648
2F622U182405700	24	18	1.315 / 33.4	1.519 / 38.6	1.631 / 41.4	1158 / 1723	624 / 283	29.4 / 746