

# MINE SHAFT

## VERLOK® & SERVED WIRE ARMOUR

### Riser Cables

### Verlok® & Served Wire Armour (SWA)



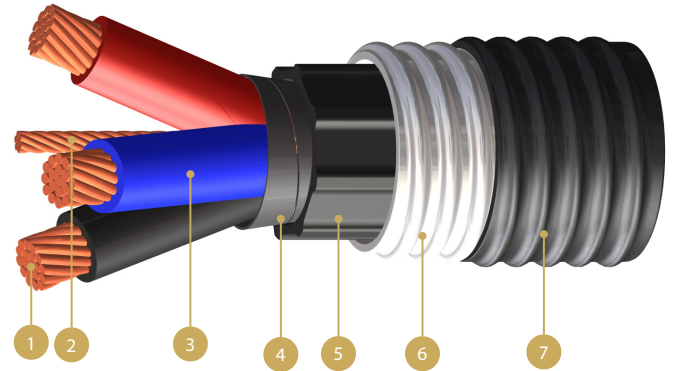
ShawFlex Verlok® and SWA cables are ideal for vertical installations including: mine shafts, tall commercial buildings, inclined tunnels and vertical cable trays. Suitable for use in hazardous locations.

#### Constructions

- 22 AWG to 2000 MCM/kcmil bare or tinned copper
- 300V, 600V, 1000V & 2000V
- Singles, pairs, triads & multi conductors

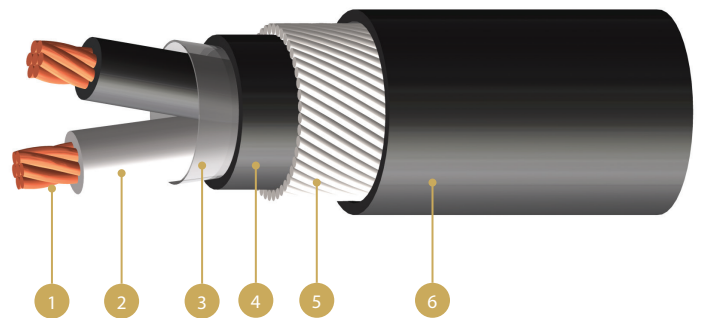
#### Approvals

- CSA C22.2 NO. 131, Teck 90 Cables  
(applies to interlock armored cable only)
- CSA C22.2 NO. 174, Cables and Cable Glands for Use in Hazardous Locations  
(applies to interlock armored cable only)
- CSA C22.2 NO. 239, Control & Instrumentation Cables (ACIC & SW-ACIC)
- UL 1569, Metal Clad Cables  
(applies to interlock armored cable only)
- UL 13, Power Limited Tray Cables (PLTC)
- UL 2250, Instrumentation Tray Cables (ITC)
- ICEA S-95-658 (NEMA WC70)
- ICEA S-73-532 (NEMA WC53)
- CSA FT4, UL 1685, Vertical Tray Flame Test rated
- IEEE 383 & 1202 (70,000 BTU/hr), Vertical Flame Test rated
- ICEA T-30-520 (70,000 BTU/hr), Vertical Flame Test rated
- XLPE RW90 rated, 90°C wet/105°C dry
- PVC TW75 rated, 75°C wet/105°C dry
- -40°C Cold bend/impact rated
- Direct burial rated
- UV sunlight resistant "SUN RES" (all colours)
- Rated for use in hazardous locations:
  - Class 1 Zone 1 (Div 1)
  - Class 1 Zone 2 (Div 2)
  - Class II Zone 20, 21 (Div 1)
  - Class II Zone 22 (Div 2)



#### Verlok®

1. Copper Conductors, Bare or Tinned
2. Ground Wire
3. XLPE Insulation (Standard)
4. Cloth Backed Rubberized Separator Tape
5. Inner Ribbed Jacket
6. Interlock Armour
7. Outer Protective Jacket



#### Served Wire Armour

1. Copper Conductors, Bare or Tinned
2. PVC or XLPE Insulation
3. Polyester Separator Tape
4. Inner Protective Jacket
5. Galvanized Steel Served Wire Armour (SWA)
6. Outer Protective Jacket

#### Head Office

ShawFlex  
A division of ShawCor Ltd.  
25 Bethridge Rd.  
Toronto, Ontario  
Canada M9W 1M7, Canada  
Tel: +1 416 743 7111

[shawflex.com](http://shawflex.com)

 **SHAWFLEX**  
A SHAWCOR COMPANY

# MINE SHAFT

## VERLOK® & SERVED WIRE ARMOUR

	Verlok®	Served Wire Armour
<b>Characteristics</b>		
Flame Retardant (FT4/IEEE 1202)	●	●
Sunlight Resistant (all colours)	●	●
Wet Rated	●	●
-40°C Cold Impact	●	● (UL, upon request)
Direct Burial	●	●
Crush & Impact Resistant	●	●
<b>Voltage Ratings</b>		
300V	UL & CSA	UL & CSA
600V	UL & CSA	CSA & ICEA
1000V	CSA	CSA & ICEA
2000V	UL	ICEA
5000V	CSA	-
<b>Gauge Sizes</b>		
300V	22 AWG - 14 AWG	22 AWG - 14 AWG
600V	18 AWG - 750 KCMIL	18 AWG - 750 KCMIL
1000V	18 AWG - 750 KCMIL	18 AWG - 750 KCMIL
2000V	14 AWG - 750 KCMIL	14 AWG - 750 KCMIL
5000V	8 AWG - 750 KCMIL	-
<b>Armouring Options</b>		
Aluminum Interlock Armour (AIA)	●	
Steel Interlock Armour (SIA)	●	
Steel Wire Served Armour (SWA)		●
<b>Jacketing Options</b>		
PVC	●	●
PVC LAG	●	●
LSZH Thermoplastic	●	●
CPE Thermoplastic or Thermoset	●	●
Ribbed Inner (Standard)	●	
<b>Insulation Options</b>		
XLPE	●	●
PVC		●
<b>Shielding Options</b>		
ISOS Aluminum Mylar	●	●
OS Aluminum Mylar	●	●
<b>Other Factors</b>		
Ease of Installation	Good	Better
Self Support Length	Good	Better
Cost	Good	Better
Weight	Good	Better

### Head Office

ShawFlex  
A division of ShawCor Ltd.  
25 Bethridge Rd.  
Toronto, Ontario  
Canada M9W 1M7, Canada  
Tel: +1 416 743 7111

[shawflex.com](http://shawflex.com)

